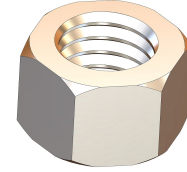


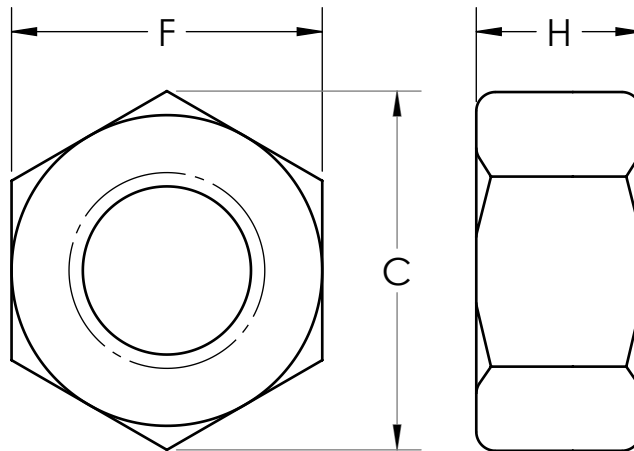
Heavy Hex Nuts

**Heavy Hex Nuts** are threaded onto bolts or rods to hold mechanical components in place. They are slightly larger and thicker and may be required to be torqued for certain applications.



**General Specifications**

Material : Zinc plated Low Carbon Steel, Also available in 304 and 316 SS



**Technical Information**

Bolt Size	F	C	H	Weight (lbs.)
5/8	1.062	1.201	.587 - .631	.12
3/4	1.250	1.413	.710 - .758	.20
1 1/8	1.812	2.048	1.079 - 1.139	.59