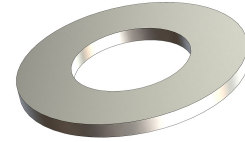


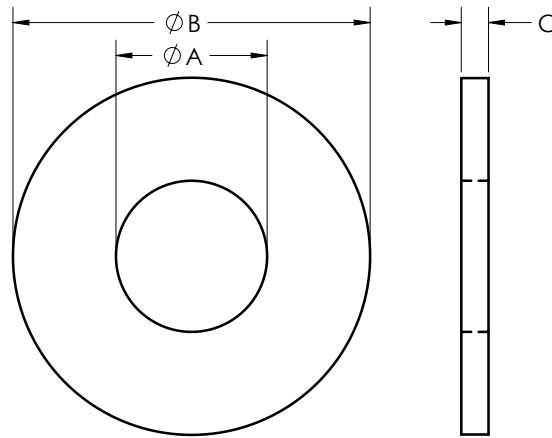
FLAT WASHERS

Flat Washers are used with nuts to even the load and provide a smooth bearing surface under the nut.



General Specifications

Material : Zinc plated Low Carbon Steel, Also available in 304 SS and 316 SS



Technical Information

Bolt Size	A	B	C	Weight (lbs.) Per 100 Pieces
3/8	0.688	1.750	.108 - .160	8
1/2	0.812	2.000	.122 - .177	11
1 1/8	1.250	2.750	.136 - .192	22