



3" - 36" RESTRAINT FLANGED ADAPTER COUPLING FOR PVC PIPE

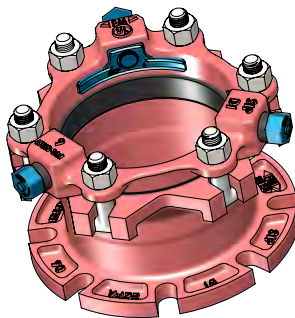
Submittal Information

Project Name / Location:	
Engineer:	
Referenced Specs:	
Distributor / Contractor:	

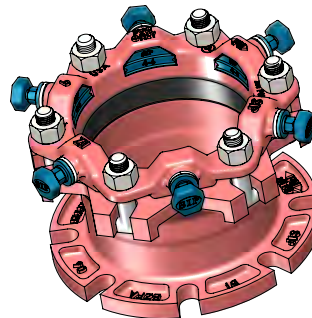
Optional Specifications

Coating:	Asphaltic Seal Coat <i>In Accordance With ANSI/AWWA C104/A21.4</i>
	Fusion-Bonded Epoxy (FBE) Powder (Red Oxide Color) <i>In Accordance With ANSI/AWWA C116/A21.16</i>
	Other - Specify:
Bolts / Nuts:	Standard High Strength Low Alloy Steel (HSLA) <i>In Accordance With ANSI/AWWA C111/A21.11</i>
	Fluoropolymer Corrosion Resistant Coating
	Stainless Steel: Type 304 Type 316
Gaskets:	Standard SBR (Buna-S) <i>In Accordance With ANSI/AWWA C111/A21.11</i>
	Other - Specify:

EZ Grip® PVC ULTRA



EZ Grip® PVC



EZ Grip® Restrained Flange Adapter

General Specifications

- Material** : Main Flange Adapter body and Restraint Gland are Ductile Iron per ASTM A536, Grade 65-45-12
- Pressure** : Pressure Rating equal to that of the PVC pipe rating, with a minimum 2:1 safety factor
- Dimensions** : In accordance to ANSI/AWWA C110/A21.10, C111/A21.15 and C153/ A21.53. Flange ends shall be in accordance to meet ANSI Class 125/150 & ANSI/ AWWA C115/A21.15 drill pattern
Compatible with AWWA C900 (PVC), C906 (HDPE)*, C909 (PVCO) or ASTM D2241 IPS PVC Pipe
***AWWA C906 HDPE Pressure Pipes up to 12" by using internal pipe stiffeners.**
*** IPS PVC Pipe applications require use of a Transition Gasket.**
- Installation** : Install in accordance with SIP installation procedures and intent of AWWA C605 / M23
Pipe ends must be free from defects to allow wedges to properly engage the pipe ends.
Wedge pockets must be free from debris intrusion to allow movement, polyethylene wrap of the restraint is recommended as a prevention.
- Note:** Flange adapter comes with flange sealing O-ring on flange face, no red rubber flange gasket needed and if used will comprise seal.
There are no additional tools required for installation other than a Standard Torque Wrench to install standard sizes of T-Head bolts & nuts and hex nuts from 5/8"-1 1/4"
- Deflection** : Restraint allows the full joint deflection dictated by pipe manufacturer's recommendation, and maintains the seal while under pressure, and while subjected to ground movements. Allows for a secure connection and full 5° deflection per AWWA C600 for misaligned joints.
Internal enhanced deflection capabilities even with coating adjustments.
- Approvals** : Factory Mutual (FM) for sizes 4"-12" at 200psi for AWWA C900 pipe. Listed with Underwriters Laboratories (UL) for sizes 4"-12" at 235psi on AWWA C900 Class 235 DR-18 pipe



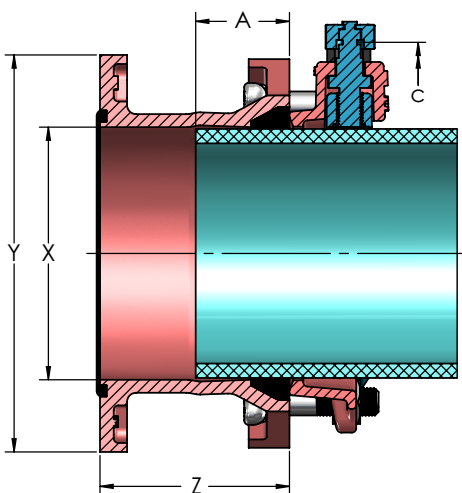
Supporting documentation for the above 'General Specifications' and 'Optional Specifications' are available upon request to review, in addition to Installation Instructions and any requested material samples

Please contact SIP for technical assistance of nonstandard applications and pressures

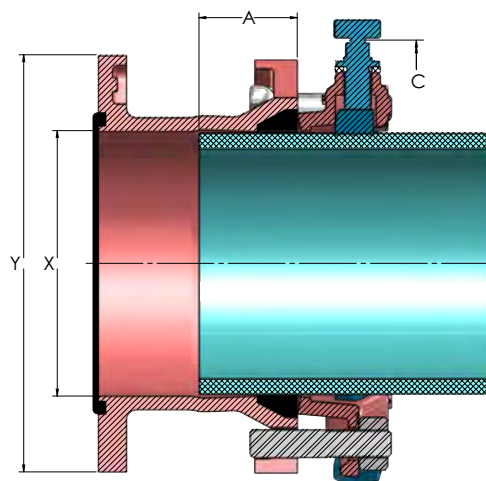
Please refer to our web page www.sipindustries.com for up to date product data and technical advisories

3" - 36" RESTRAINT FLANGED ADAPTER COUPLING FOR PVC PIPE

EZFAPVCUP - EZ Grip® PVC ULTRA



EZFAPVCP - EZ Grip® PVC



Technical Specifications

Size	Select Size/Series		C900 PVC Pipe OD	IPS PVC Pipe OD	X	Y	Z	A	C	Approx. Weight (Lbs)
	W/ EZ Grip® PVC ULTRA	W/ EZ Grip® PVC								
3	N/A	EZFAPVCP03	N/A	3.50	4.06	7.50	3.88	2.50	9.02	17.50
4	EZFAPVCUP04	EZFAPVCP04	4.80	4.50	4.90	9.00	4.35	2.50	9.84	21.75
6	EZFAPVCUP06	EZFAPVCP06	6.90	6.63	7.00	11.00	5.25	2.50	11.94	32.90
8	EZFAPVCUP08	EZFAPVCP08	9.05	8.63	9.15	13.50	5.25	2.50	14.39	45.74
10	EZFAPVCUP10	EZFAPVCP10	11.10	10.75	11.20	16.00	5.63	2.50	16.44	62.90
12	EZFAPVCUP12	EZFAPVCP12	13.20	12.75	13.30	19.00	5.69	2.50	18.58	85.26
14	N/A	EZFAPVCP14	15.30	N/A	15.44	21.00	6.70	3.88	22.93	126.71
16	N/A	EZFAPVCP16	17.40	N/A	17.54	23.50	6.80	3.93	25.03	155.56
18	N/A	EZFAPVCP18	19.50	N/A	19.64	25.00	7.40	4.23	27.13	181.66
20	N/A	EZFAPVCP20	21.60	N/A	21.74	27.50	7.40	4.23	29.23	218.65
24	N/A	EZFAPVCP24	25.80	N/A	25.94	32.00	7.90	4.48	33.43	288.66
30	N/A	EZFAPVCP30	32.00	N/A	32.17	38.75	8.50	4.94	39.65	475.75
36	N/A	EZFAPVCP36	38.00	N/A	38.47	46.00	9.00	5.19	45.95	664.06