



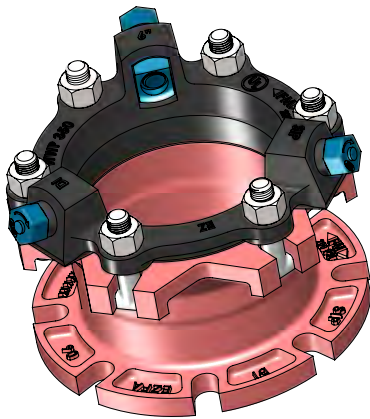
### 3" - 36" RESTRAINT FLANGED ADAPTER COUPLING FOR DI PIPES

#### Submittal Information

Project Name / Location:	
Engineer:	
Referenced Specs:	
Distributor / Contractor:	

#### Optional Specifications

Coating:	Asphaltic Seal Coat <i>In Accordance With ANSI/AWWA C104/A21.4</i>
	Fusion-Bonded Epoxy (FBE) Powder (Red Oxide Color) <i>In Accordance With ANSI/AWWA C116/A21.16</i>
	Other - Specify:
Bolts / Nuts:	Standard High Strength Low Alloy Steel (HSLA) <i>In Accordance With ANSI/AWWA C111/A21.11</i>  Fluoropolymer Corrosion Resistant Coating
	Stainless Steel:           Type 304                           Type 316
	Other - Specify:
Gaskets:	Standard SBR (Buna-S) <i>In Accordance With ANSI/AWWA C111/A21.11</i>
	Other - Specify:



#### General Specifications

- Material** : Main Flange Adapter body and Restraint Gland are Ductile Iron per ASTM A536, Grade 65-45-12
- Pressure** : Pressure Rating equal to that of the Ductile Iron pipe and shall have a minimum safety factor of at least 2 to 1
- Dimensions** : In accordance to ANSI/AWWA C110/A21.10, C111/A21.15 and C153/ A21.53. Flange ends shall be in accordance to meet ANSI Class 125/150 & ANSI/ AWWA C115/A21.15 drill pattern
- Installation** : Install in accordance with SIP installation procedures and intent of AWWA C600 / M41.  
Pipe ends must be free from defects to allow wedges to properly engage the pipe ends.  
Wedge pockets must be free from debris intrusion to allow movement, polyethylene wrap of the restraint is recommended as a prevention.
- Note:** Flange adapter comes with flange sealing O-ring on flange face, no red rubber flange gasket needed and if used will comprise seal.  
There are no additional tools required for installation other than a Standard Torque Wrench to install standard sizes of T-Head bolts & nuts and hex nuts from 5/8"-1 1/4"
- Deflection** : Restraint allows the full joint deflection dictated by pipe manufacturer's recommendation, and maintains the seal while under pressure, and while subjected to ground movements. Allows for a secure connection and full 5° deflection per AWWA C600 for misaligned joints  
Internal enhanced deflection capabilities even with coating adjustments.
- Approvals** : Factory Mutual (FM) for sizes 4"-12" at 200psi for AWWA C151 Ductile Iron pipe. Listed with Underwriters Laboratories (UL) for sizes 4"-12" at 350psi on AWWA C151 Ductile iron pipe.

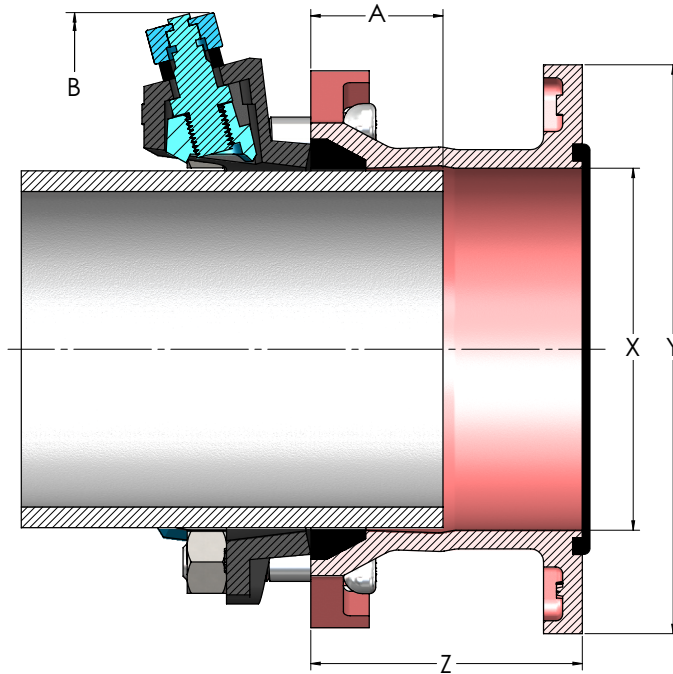


Supporting documentation for the above 'General Specifications' and 'Optional Specifications' are available upon request to review, in addition to Installation Instructions and any requested material samples

Please contact SIP for technical assistance of nonstandard applications and pressures

Please refer to our web page [www.sipindustries.com](http://www.sipindustries.com) for up to date product data and technical advisories

**3" - 36" RESTRAINT FLANGED ADAPTER COUPLING FOR DI PIPES**



**Technical Specifications**

Select Size	Size	Series Number	X	Y	Z	A	B	Pressure Rating (PSI - Max.)	Approx. Weight (Lbs)
	3	EZFADP03	4.06	7.50	3.88	2.50	10.00	350	16.38
	4	EZFADP04	4.90	9.00	4.35	2.50	11.00	350	21.88
	6	EZFADP06	7.00	11.00	5.25	2.50	13.14	350	33.07
	8	EZFADP08	9.15	13.50	5.25	2.50	15.30	350	45.16
	10	EZFADP10	11.20	16.00	5.63	2.50	17.30	350	63.14
	12	EZFADP12	13.30	19.00	5.69	2.50	19.45	350	85.45
	14	EZFADP14	15.44	21.00	6.70	3.88	21.45	350	127.91
	16	EZFADP16	17.54	23.50	6.80	3.93	24.20	350	156.33
	18	EZFADP18	19.64	25.00	7.40	4.23	26.00	350	188.73
	20	EZFADP20	21.74	27.50	7.40	4.23	28.20	350	218.91
	24	EZFADP24	25.94	32.00	7.90	4.48	33.50	350	321.92
	30	EZFADP30	32.17	38.75	8.50	4.94	39.80	250	499.95
	36	EZFADP36	38.47	46.00	9.00	5.19	46.10	250	688.70