

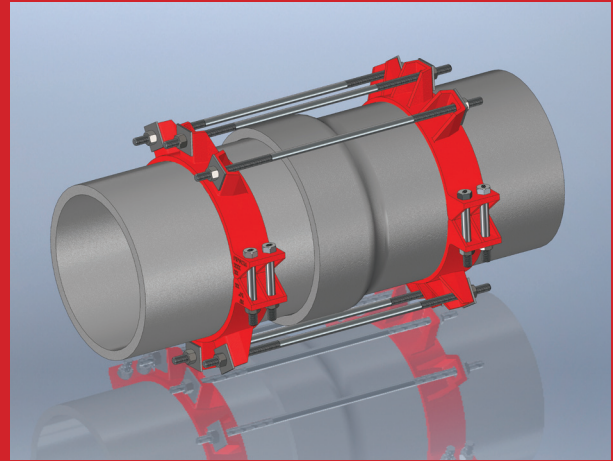
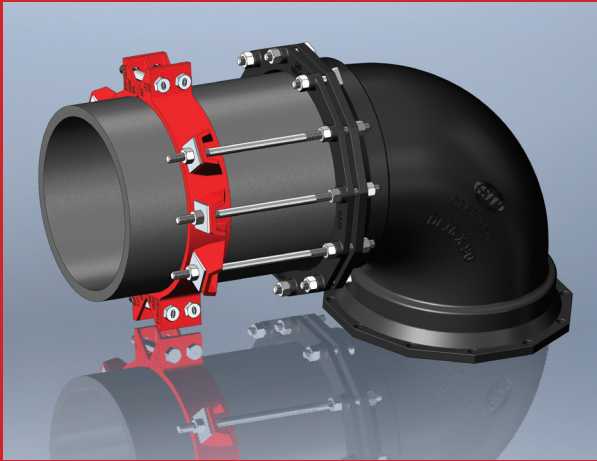


SIP Industries
Quality Manufacturers Since 1960

EZ GRIP®
PTP SERIES

PIPE TO PIPE JOINT RESTRAINT FOR DI PIPE AND FITTINGS

DI Pipe-To-Pipe and DI Pipe-To-Fitting Joint Restraint is a proven design, offering an efficient, reliable, and inexpensive method of restraining mechanical joints and push-on joints by utilizing a series of rigid machined gripping serrations that grab, hold, and secure the pipe to the pipe / fitting.



ADVANTAGES, BENEFITS, FEATURES

- These Joint Restraints eliminate the need of timely thrust blocks.
- Performs optimally with AWWA C151 pipe, and AWWA C110 or AWWA C153 Fittings
- Composed of high strength Ductile Iron in compliance with the ASTM A536 Standard, Grade 65-45-12
- T-Bolts, Rods, and Hex nuts are manufactured from high-strength low-alloy (HSLA) steel as per ANSI/AWWA C111/A21.11. Optional Stainless Steel hardware can also be provided
- Machined to exact tolerances with the maximum pressure ratings listed on following page
- Designed and manufactured to be disassembled, reinstalled, and reusable
- Can be installed on new or existing water systems
- Maintains the seal while under pressure, and while subjected to ground movements
- The internal serrations offer 360° circumferential contact with the pipe wall and increase the grip as the hydrostatic pressure increases whilst offering support of the pipe wall.
- Can conveniently be installed in or outside the trench.
- Provided with a coating that is compatible with most field applied coatings. The standard color is red.
- Offered in sizes from 4" up to 16"

Available:  Import

Toll Free 877-921-6111

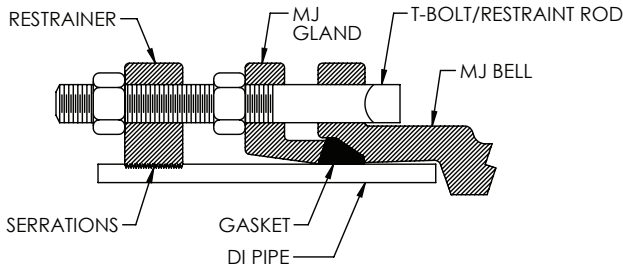
www.sipindustries.com

V 0524-01

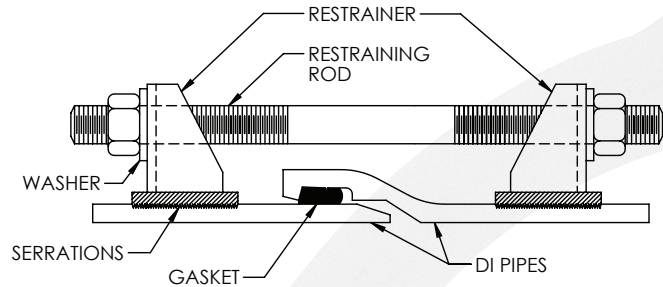


PIPE TO PIPE JOINT RESTRAINT FOR DI PIPE AND FITTINGS

Technical Data



SERIES: PTPDFDI



SERIES: PTPVCDI

T-BOLT TORQUE (AS PER AWWA C600)		
PIPE SIZE (IN)	BOLT SIZE (IN)	RANGE OF TORQUE (FT/LBS)
4-16	3/4	75-90

RECOMMENDED TORQUE (CLAMPING BOLTS)		
PIPE SIZE (IN)	RANGE OF TORQUE (FT/LBS)	PRESSURE RATING (PSI) MAX
4-8	110-120	250
10-12	110-120	150
14-16	200-210	100

SAMPLE SPECIFICATIONS

The PTPVCDI and PTPDFDI joint restraining mechanisms shall be designed and manufactured as two identical halves providing for a pipe joint and performing as a joint restraint. The PTPVCDI and PTPDFDI joint restraints shall be compatible with AWWA C151 DI Pipe and AWWA C110 and C153 Fittings and restraint shall contain a series of rigid integrally machined serrations that grip the outside wall of the DI Pipe.

There shall be no additional tools required for installation other than the tools required to install standard sizes of hex nuts from 5/8" - 7/8". All hex heads, bolts and rods shall be designed to tighten clockwise. All hex heads, bolts and rods shall be manufactured to allow for disassembly and re-installation of the restraint.

The gland halves shall be manufactured of high strength ductile iron in accordance with the ASTM A536 Standard, Grade 65-45-12. Bolts, rods, and hex nuts shall be manufactured from high-strength low-alloy (HSLA) steel as per ANSI/AWWA C111/A21.11.

The restraining gland shall comply with all applicable dimensions of ANSI/AWWA C151/A21.51, ANSI/AWWA C110/A21.10, and ANSI/AWWA C153/A21.53 and shall be compatible with all DI pipe and DI fittings of the standards.

The restraint devices for Ductile Iron Pipe to Ductile Iron Pipe / Fitting shall be SIP Industries series PTPVC-DI, PTPDF-DI, or equal.

Please refer to our web page www.sipindustries.com for up to date product data and technical advisories



SIP CORPORATE 8876 Gulf Freeway, Suite 500, Houston, TX 77017

SIP CENTRAL 2900 Patio Drive, Houston, TX 77017

SIP EAST 600 Rayloc Drive, Atlanta, GA 30336

SIP WEST 8333 Almeria Avenue, Fontana, CA 92335

Phone: 877-921-6111 or 713-923-6111 | Fax: 713-923-6114 | www.sipindustries.com | sales@sipindustries.com