

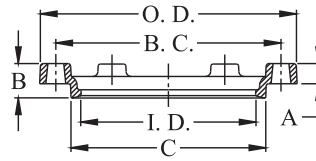


## RETAINER GLANDS\*



Nominal Pipe Size	Weight	AWWA Ductile Iron Pipe O.D.	WWP Rating (psi.)	Set Screws		
				Qty.	Size	Torque (ft. lbs.)
3	5	3.96	350	4	5/8 X 2	85
4	7	4.80	350	4	5/8 X 2	85
6	12	6.90	350	6	5/8 X 2	85
8	16	9.05	250	9	5/8 X 2	85
10	22	11.10	250	16	5/8 X 2	85
12	28	13.20	250	16	5/8 X 2	85
14	45	15.30	250	20	5/8 X 2	85
16	52	17.40	250	24	5/8 X 2	85
18	62	19.50	200	24	5/8 X 2	85
20	75	21.60	200	28	5/8 X 2	85
24	97	25.80	200	32	5/8 X 2	85
30	196	32.00	100	40	3/4 X 2 1/2	110
36	246	38.30	100	48	3/4 X 2 1/2	110
42	302	44.50	100	56	3/4 X 2 1/2	110
48	380	50.80	100	64	3/4 X 2 1/2	110

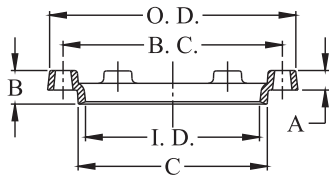
## STANDARD GLANDS\*



Size	O. D.	A	B	C	I. D.	B. C.	Bolt Holes	Bolt Qty.	Wt.
2	6.12	0.62	1.12	3.40	2.61	4.75	Ø0.75	2	1
3	7.69	0.62	1.37	4.84	4.06	6.19	Ø0.75	4	2
4	9.12	0.75	1.50	5.92	4.90	7.50	Ø0.88	4	3
6	11.12	0.88	1.63	8.02	7.00	9.50	Ø0.88	6	5
8	13.37	1.00	1.75	10.17	9.15	11.75	Ø0.88	6	6
10	15.62	1.00	1.75	12.22	11.20	14.00	Ø0.88	8	8
12	17.88	1.00	1.75	14.32	13.30	16.25	Ø0.88	8	9
14	20.25	1.25	2.00	16.40	15.44	18.75	Ø0.88	10	13
16	22.50	1.31	2.06	18.50	17.54	21.00	Ø0.88	12	17
18	24.83	1.38	2.13	20.60	19.64	23.25	Ø0.88	12	30
20	27.08	1.44	2.19	22.70	21.74	25.50	Ø0.88	14	35
24	31.58	1.56	2.31	26.90	25.94	30.00	Ø0.88	16	50
30	39.12	2.00	2.75	33.29	32.17	36.88	Ø1.13	20	85
36	46.00	2.00	2.75	39.59	38.47	43.75	Ø1.13	24	115
42	53.12	2.00	2.75	45.79	44.67	50.62	Ø1.38	28	143
48	60.00	2.00	2.75	52.09	50.97	57.50	Ø1.38	32	237

\* Size 3"- 24" FM APPROVED | UL/NSF Standards 61

## OVERSIZE GLANDS



Size	O. D.	A	B	C	I. D.	B. C.	Bolt Holes	Bolt Qty.	Wt.
4	9.12	0.75	1.50	5.92	5.10	7.50	Ø0.88	4	3
6	11.12	0.88	1.63	8.02	7.20	9.50	Ø0.88	6	5
8	13.37	1.00	1.75	10.17	9.40	11.75	Ø0.88	6	6
10	15.62	1.00	1.75	12.22	11.50	14.00	Ø0.88	8	8
12	17.88	1.25	2.00	14.32	13.60	16.25	Ø0.88	8	9
16	22.50	1.31	2.06	18.50	17.90	21.00	Ø0.88	12	17

## ACCESSORIES PACK

**Gland Pack - includes Gland, MJ Gasket and Std. T-Head Bolts & Nuts.**

Size	Wt.
2	5
3	7
4	8
6	12
8	14
10	20
12	25
14	36
16	44
18	47
20	61
24	72



**MJ Bolt Pack - includes MJ Gasket and Std. T-Head Bolts & Nuts.**

Size	Wt.
3	3
4	4
6	6
8	7
10	8
12	9

**Transition Gland Pack - includes Gland, Transition Gasket and Std. T-Head Bolts & Nuts.**

Size	Wt.
3	7
4	8
6	12
8	15
10	20
12	25

**Retainer Gland Pack - includes Gland, MJ Gasket and Std. T-Head Bolts & Nuts.**

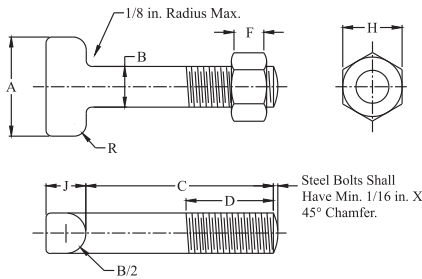
Size	Wt.
3	9
4	10
6	15
8	19
10	25
12	32

Weight : All are in lbs.

Dimensions : All are in Inch

## T-HEAD BOLTS & NUT

(HIGH STRENGTH LOW ALLOY CORROSION RESISTANT STEEL)

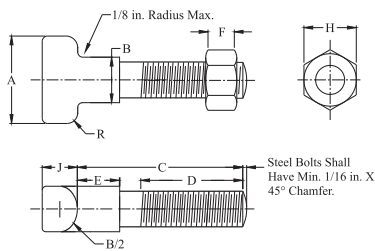


Size	A	B	C	D	Threads per in.	F	H	J	R
5/8 X 3	1.50	0.625	3.00	2.00	11	0.625	1.062	0.625	0.312
5/8 X 3 1/2	1.50	0.625	3.50	2.70	11	0.625	1.062	0.625	0.312
3/4 X 3 1/2	1.75	0.750	3.50	2.50	10	0.750	1.250	0.750	0.375
3/4 X 4	1.75	0.750	4.00	3.00	10	0.750	1.250	0.750	0.375
3/4 X 4 1/2	1.75	0.750	4.50	3.00	10	0.750	1.250	0.750	0.375
3/4 X 5	1.75	0.750	5.00	3.00	10	0.750	1.250	0.750	0.375
3/4 X 5 1/2	1.75	0.750	5.50	3.70	10	0.750	1.250	0.750	0.375
1 X 6	2.25	1.000	6.00	3.00	8	1.000	1.625	1.000	0.500
1 1/4 X 2 1/2	2.50	1.250	6.50	3.50	7	1.250	2.000	1.250	0.625



## ANTI-ROTATION T-HEAD BOLTS & NUT

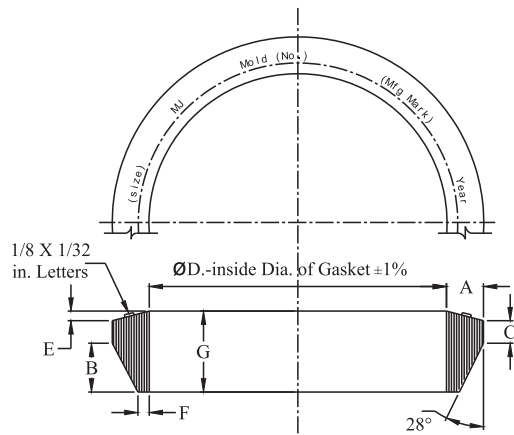
(HIGH STRENGTH LOW ALLOY CORROSION RESISTANT STEEL)



Size	A	B	C	D	E	Threads per in.	F	H	J	R
5/8 X 3	1.50	0.625	3.00	2.00	0.63	11	0.625	1.062	0.625	0.312
3/4 X 3 1/2	1.75	0.750	3.50	2.50	0.63	10	0.750	1.250	0.750	0.375
3/4 X 4	1.75	0.750	4.00	3.00	0.63	10	0.750	1.250	0.750	0.375
3/4 X 4 1/2	1.75	0.750	4.50	3.00	0.63	10	0.750	1.250	0.750	0.375
3/4 X 5	1.75	0.750	5.00	3.00	0.63	10	0.750	1.250	0.750	0.375

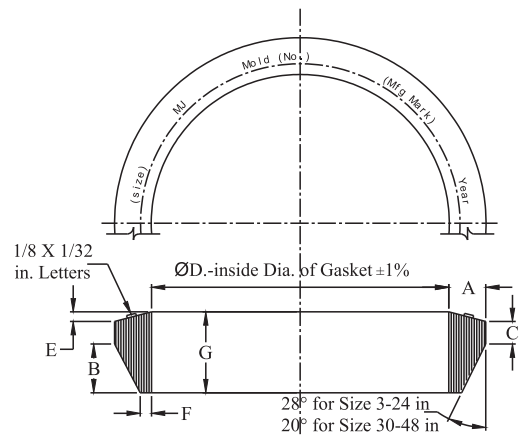


## MECHANICAL JOINT GASKET



Size	Pipe O. D.	A	B	C	Ø D. ± 1%	E	F	G
2	2.50	0.48	0.62	0.31	2.48	0.12	0.15	1.05
3	3.96	0.48	0.62	0.31	3.86	0.12	0.15	1.05
4	4.80	0.60	0.75	0.31	4.68	0.16	0.22	1.22
6	6.90	0.60	0.75	0.31	6.73	0.16	0.22	1.22
8	9.05	0.60	0.75	0.31	8.85	0.16	0.22	1.22
10	11.10	0.60	0.75	0.31	10.87	0.16	0.22	1.22
12	13.20	0.60	0.75	0.31	12.95	0.16	0.22	1.22
14	15.30	0.60	0.75	0.31	14.99	0.16	0.22	1.22
16	17.40	0.60	0.75	0.31	17.07	0.16	0.22	1.22
18	19.50	0.60	0.75	0.31	19.13	0.16	0.22	1.22
20	21.60	0.60	0.75	0.31	21.20	0.16	0.22	1.22
24	25.80	0.60	0.75	0.31	25.34	0.16	0.22	1.22
30	32.00	0.73	1.00	0.38	31.47	0.16	0.37	1.54
36	38.30	0.73	1.00	0.38	37.67	0.16	0.37	1.54
42	44.50	0.73	1.00	0.38	43.78	0.16	0.37	1.54
48	50.80	0.73	1.00	0.38	49.98	0.16	0.37	1.54

## TRANSITION MECHANICAL JOINT GASKET



Size	Pipe O. D.	A	B	C	Ø D. ± 1%	E	F	G
2	2.375	0.56	0.66	0.31	2.32	0.12	0.21	1.10
3	3.500	0.72	0.64	0.34	3.43	0.12	0.38	1.10
4	4.500	0.76	0.73	0.33	4.43	0.20	0.37	1.26
6	6.625	0.75	0.73	0.32	6.53	0.20	0.36	1.25
8	8.625	0.82	0.73	0.34	8.50	0.20	0.43	1.27
10	10.750	0.79	0.75	0.41	10.59	0.20	0.39	1.26
12	12.750	0.84	0.75	0.33	12.56	0.20	0.44	1.28

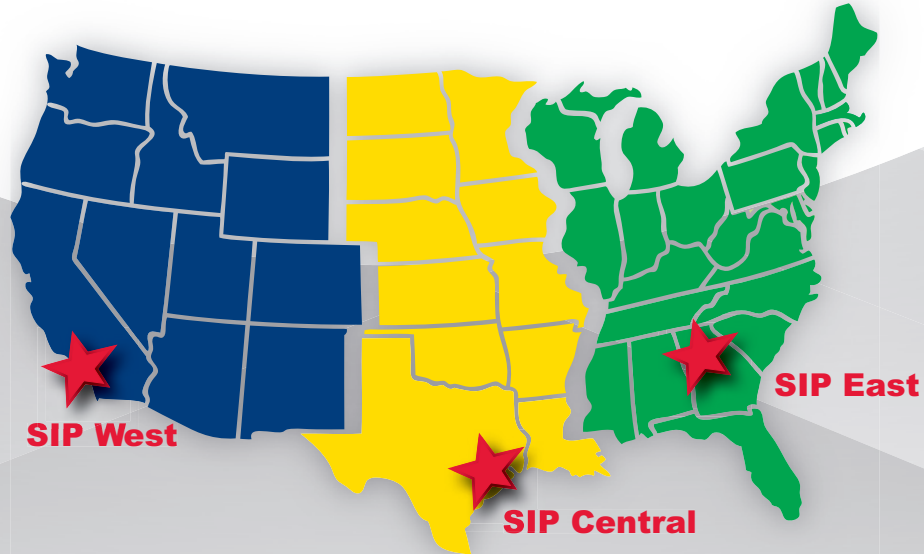


Weight : All are in lbs.      Dimensions : All are in Inch



# SIP Industries

Quality Manufacturers Since 1960



## PRODUCT LINE

### AWWA DI Fittings & Accessories

- C153 Compact MJ Fittings and Acc. 2" - 64"
- C110 Full Body MJ Fittings 2" - 64"
- C153 Trim Tyton® Push-On Fittings 4" - 24"
- C110 Flange Fittings 2" - 64"
- MJ x MJ Adapter for Connecting MJ Bells 3" - 24"
- Stainless Steel & Blue T-Bolts
- Made in India, China & Mexico
- Bare, Cement, Zinc, FBE & Other Linings

### Joint Restraint System

- EZD Joint Restraint for DI Pipe 3" - 48"
- EZDTP Joint Restraint Tandem for DI Pipe 3" - 48"
- EZDPTP Joint Restraint for Push-On Joints DI Pipe 3" - 48"
- Ductile Iron Retainer Glands 3" - 30"
- FAR / FAH Flange Adapter for DI Pipe 3" - 48"
- EZFA Restrained Flange Adapter for DI and PVC Pipe 3" - 36"
- EZPVC Joint Restraint for PVC Pipe 3" - 36"
- ULTRA Joint Restraint for PVC Pipe 4" - 12"
- EZPVCPTP Joint Restraint for Push-On Joints PVC Pipe 14" - 36"
- PTPVC Pipe to Pipe Restraint 4" - 48"
- PTPDF Pipe to MJ Fittings Restraint 4" - 48"
- PTPFC Pipe to PVC Fittings Restraint 4" - 12"
- Made in China & USA
- EZ Shield or Shop Coating

### Municipal Construction Castings

- Manhole Rings and Cover
- Frames and Grates
- Valve Boxes and Service Boxes
- Water Meter Covers and Boxes
- Cleanout and Monument Boxes
- Detectable Warning Plates
- Extension Rings
- Trench Grates and Tree Grates
- Made in India & USA

### Fabrication Products for DI Pipe

- High Hub Flanges Class 150 and 250. 3" - 64"
- Threaded Bell Flanges 3" - 48"
- Anchor Flanges 3" - 60"
- Filler Flanges 4" - 30"

### Other Products and Services

- All Thread Rod
- Pipe Lube and Hydraulic Cement
- Socket Clamps and Lugs
- Flange Packs
- OEM Castings



**SIP CORPORATE** 8876 Gulf Freeway, Suite 500, Houston, TX 77017

**SIP CENTRAL** 2900 Patio Drive, Houston, TX 77017

**SIP EAST** 600 Rayloc Drive, Atlanta, GA 30336

**SIP WEST** 8333 Almeria Avenue, Fontana, CA 92335

Phone: 877-921-6111 or 713-923-6111 | Fax: 713-923-6114 | [www.sipindustries.com](http://www.sipindustries.com) | [sales@sipindustries.com](mailto:sales@sipindustries.com)