



SIP Industries
Quality Manufacturer Since 1960

Certificate of Compliance : Standard & Heavy-Duty Valve And Service Boxes

Date	
------	--

SIP certifies that our Standard and Heavy-Duty Valve and Service Boxes are designed, manufactured, and distributed as per the Waterworks industry standards. All castings are tested and traceable by casting markings to the below standards. Please refer to our website www.sipindustries.com for up to date product data and technical advisories.

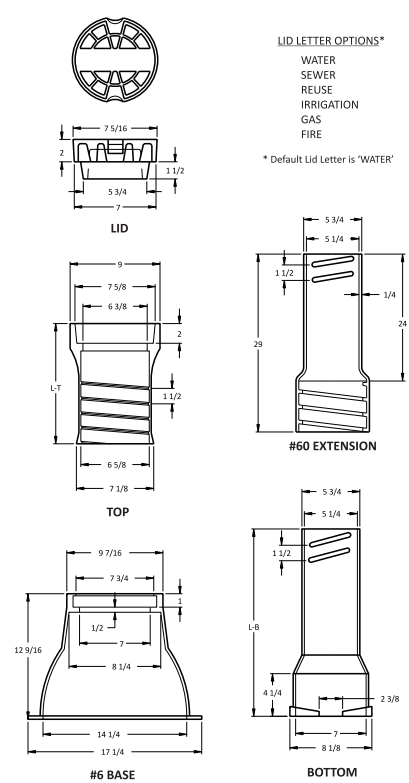
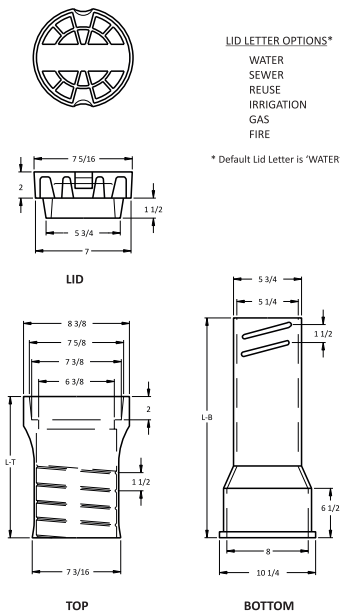
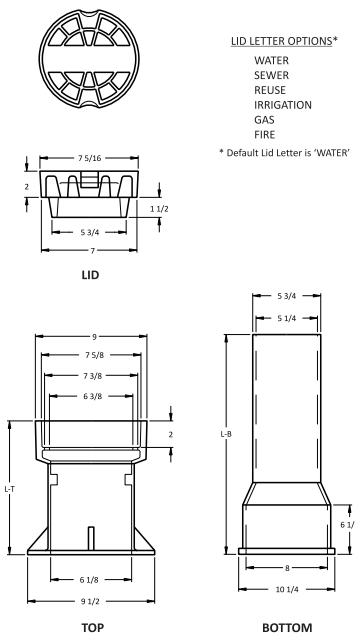
Material : Valve and service boxes are produced with either Gray Iron ASTM A48 CL30/CL35 or Ductile Iron ASTM A536 with standard lengths of 19" – 82".

Standards : Valve boxes are produced to meet the applicable American Association of State Highway and Transportation Officials (AASHTO) provisions.
Castings are coated with asphaltic bituminous coating with minimum 1.5 mil thickness.

**Series 6000 5 1/4" Shaft
Screw Type**

**Series 6100 5 1/4" Shaft
Slip Type**

**Series 6200 5 1/4" Shaft
Screw 3 Piece**



Sincerely,

Roger Johnson
Director of Technical Services
rjohnson@sipindustries.com

Project Name	
Project Location	
Distributor	
Contractor	



SIP CORPORATE 8876 Gulf Freeway, Suite 500, Houston, TX 77017
SIP CENTRAL 2900 Patio Drive, Houston, TX 77017
SIP EAST 600 Rayloc Drive, Atlanta, GA 30336
SIP WEST 8333 Almeria Avenue, Fontana, CA 92335

Phone: 877-921-6111 or 713-923-6111 | Fax: 713-923-6114 | www.sipindustries.com | sales@sipindustries.com

V 0524-01