



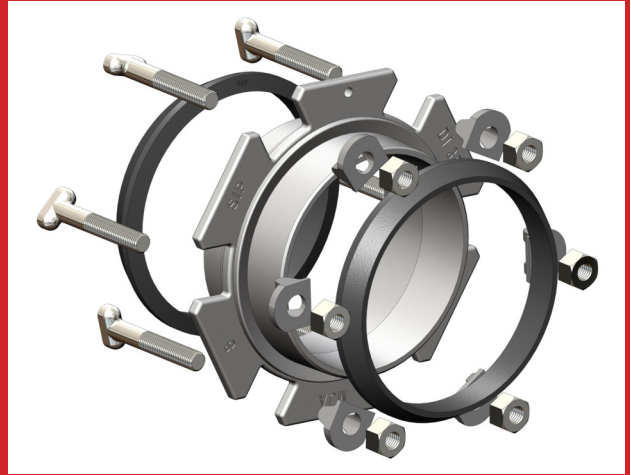
SIP Industries
Quality Manufacturers Since 1960

EZ GRIP®
MJ ADAPTER

MJ x MJ ADAPTER FOR CONNECTING TWO MJ BELLS

The EZ GRIP®

MJ x MJ Adapter is a proven design, offering an efficient, reliable and inexpensive method to connect Mechanical Joint Bells directly to one another in situations where spacing and restraining options are minimal.



ADVANTAGES, BENEFITS, FEATURES

- Allows for a secure connection using the minimal space requirements of 1-1/4"
- Main Body & Spacers made from Ductile Iron in accordance with ASTM A536, Grade 65-45-12
- Performs to a Maximum Working Pressure of 350 PSI
- Uses Standard MJ Gaskets, SBR, per ANSI/AWWA C111/A21.11
- T-Head & Pigtail Bolts and all Nuts all made from HSLA Steel per ANSI/AWWA C111/A21.11
- Available in NSF61 Approved Asphaltic Seal Coat in accordance with ANSI/AWWA C104/A21.4 or NSF61 Approved Fusion-Bonded Epoxy (FBE) in accordance with ANSI/AWWA C116/A21.16
- Offered in sizes from 3" to 24"



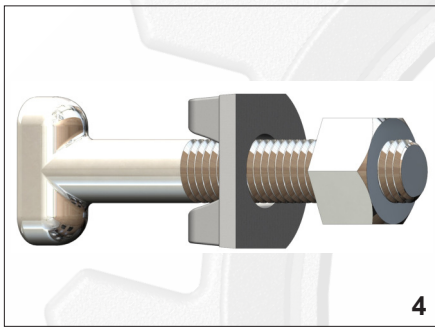
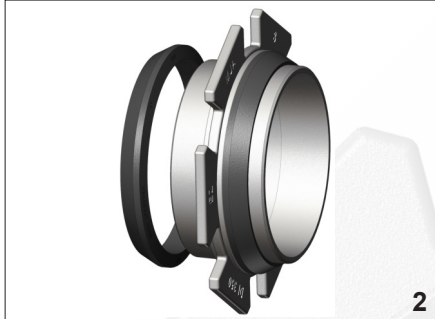
Available: Import

Toll Free 877-921-6111
www.sipindustries.com

V 0524-01

MJ x MJ ADAPTER FOR CONNECTING TWO MJ BELLS

Installation Procedure: 3"-24"



1 Thoroughly clean both MJ Bells of any foreign material; dirt, rust, etc., and wipe clean the spigot ends of the MJ Adapter.

2 Lubricate MJ Gaskets and adaptor spigots with appropriate lubricant or soapy water. Gaskets must be installed with the flat side of the gasket flush against Center Ring of the Adapter.

3 Insert one Spigot end of the MJ Adapter, with gasket, into the first MJ Bell. Then push other MJ Bell onto other gasketed Adapter Spigot. Align the Slots of the Adapter's Center Ring with the bolt holes of the MJ Bells.

4 Insert bolts through the assembly, then slide the Spacers provided, onto the bolts such that the wider flat side of the Spacer faces the nut.

Note: Pigtail Bolts are provided for Slotted bolt connections on Valves or Fittings, or can be used in Solid bolt holes.

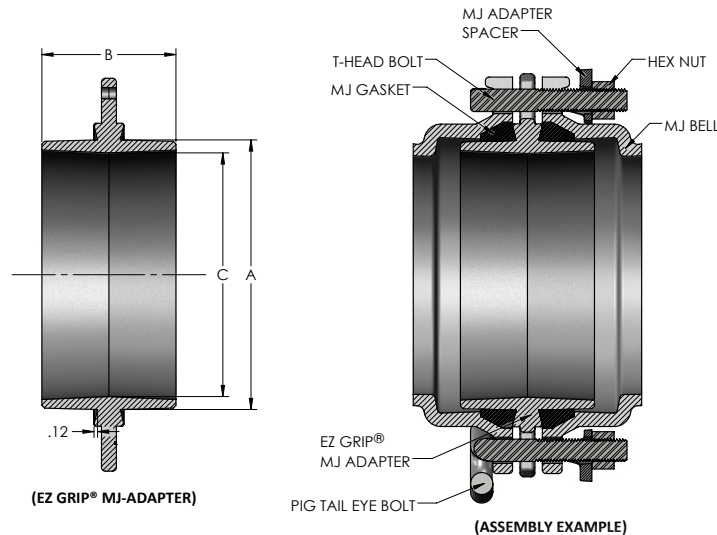
5 Assemble the nuts onto the bolts using a standard 1-1/8" wrench/socket. Tighten in an alternate pattern (star pattern) until they are within torque ranges suggested on the side, dependent on Fitting Size.

SIZE (IN)	RECOMMENDED TORQUE (T-HEAD, PIGTAIL EYE BOLTS)
	(FT-LBS)*
3	45 - 60
4 - 24	75 - 90

* Requirement of AWWA C600

MJ x MJ ADAPTER FOR CONNECTING TWO MJ BELLS

Technical Data



EZ GRIP® MJ-ADAPTER SPECIFICATIONS

Size	T-Head Bolt Qty	Pig Tail Eye Bolt Qty	MJ Adapter Spacer Qty	A	B	C	Approx. Weight W/ Accessories (Lbs)
3	4	N/A	4	3.96	4.50	3.18	11
4	4	N/A	4	4.80	4.50	4.08	17
6	4	2	6	6.90	4.50	6.13	24
8	4	2	6	9.05	4.50	8.18	30
10	4	4	8	11.10	4.60	10.18	40
12	4	4	8	13.20	4.60	12.31	46
14	10	N/A	10	15.30	6.00	14.24	70
16	12	N/A	12	17.40	6.00	16.32	82
18	12	N/A	12	19.50	6.75	18.38	106
20	14	N/A	14	21.60	6.75	20.46	120
24	16	N/A	16	25.80	6.75	24.66	132

All the dimensions are in inches unless specified otherwise.

Bolts in C153 Accessory Pack							
Size (in)	T-Head Bolt		Pigtail Eye Bolt		Standard MJ Gasket Qty	Wrench/Socket Size (in)	Recommended Torque (T-Head, Pigtail Eye Bolts) (Ft-Lbs)*
	(in)	Qty	(in)	Qty			
3	5/8 x 4	4	N/A	N/A	2	1 1/16	45-60
4	3/4 x 4 1/2	4	N/A	N/A	2	1 1/8	75-90
6	3/4 x 4 1/2	4	3/4 x 4 1/2	2	2	1 1/8	75-90
8	3/4 x 4 1/2	4	3/4 x 4 1/2	2	2	1 1/8	75-90
10	3/4 x 5	4	3/4 x 5	4	2	1 1/8	75-90
12	3/4 x 5	4	3/4 x 5	4	2	1 1/8	75-90
14	3/4 x 5 1/2	10	N/A	N/A	2	1 1/4	75-90
16	3/4 x 5 1/2	12	N/A	N/A	2	1 1/4	75-90
18	3/4 x 6	12	N/A	N/A	2	1 1/4	75-90
20	3/4 x 6	14	N/A	N/A	2	1 1/4	75-90
24	3/4 x 6	16	N/A	N/A	2	1 1/4	75-90

* Requirement of AWWA C600

Bolts in C110 Accessory Pack							
Size (in)	T-Head Bolt		Pigtail Eye Bolt		Standard MJ Gasket Qty	Wrench/Socket Size (in)	Recommended Torque (T-Head, Pigtail Eye Bolts) (Ft-Lbs)*
	(in)	Qty	(in)	Qty			
3	5/8 x 5	4	N/A	N/A	2	1 1/16	45-60
4	3/4 x 5 1/2	4	N/A	N/A	2	1 1/8	75-90
6	3/4 x 5 1/2	4	3/4 x 5 1/2	2	2	1 1/8	75-90
8	3/4 x 5 1/2	4	3/4 x 5 1/2	2	2	1 1/8	75-90
10	3/4 x 5 1/2	4	3/4 x 5 1/2	4	2	1 1/8	75-90
12	3/4 x 5 1/2	4	3/4 x 5 1/2	4	2	1 1/8	75-90
14	3/4 x 7	10	N/A	N/A	2	1 1/4	75-90
16	3/4 x 7	12	N/A	N/A	2	1 1/4	75-90
18	3/4 x 7 1/2	12	N/A	N/A	2	1 1/4	75-90
20	3/4 x 7 1/2	14	N/A	N/A	2	1 1/4	75-90
24	3/4 x 7 1/2	16	N/A	N/A	2	1 1/4	75-90

* Requirement of AWWA C600

Toll Free 877-921-6111

www.sipindustries.com



SIP Industries

Quality Manufacturers Since 1960

EZ GRIP[®] MJ ADAPTER

MJ x MJ ADAPTER FOR CONNECTING TWO MJ BELLS

SAMPLE SPECIFICATIONS

A bolt-through restraint mechanism shall be used to connect Mechanical Joint Bells to Mechanical Joint Bells on either Valves or Fittings without the use of pipe.

The MJ x MJ Adapter design will incorporate a Spigot x Spigot bolt-through restraint mechanism that allows for this connection using T-Head or Pigtail Bolts with Nuts and Spacers.

The MJ x MJ Adapter and spacers shall be manufactured from high strength Ductile Iron in accordance with ASTM A536, Grade 65-45-12. T-Head and Pigtail bolts and all Nuts shall be high strength low alloy steel and shall conform to ANSI/AWWA C111/A21.11. Mechanical Joint Gaskets shall be Standard SBR (styrene butadiene rubber) (Other rubber compounds available upon request) and conform to ANSI/AWWA C111/A21.11.

The MJ x MJ Adapter shall have a maximum water working pressure of 350 PSI for sizes 3"-12" and shall be used with standard Mechanical Joint Fittings and Valves. The MJ x MJ Adapter shall be supplied with standard NSF-61 Approved asphaltic seal coat that conforms to ANSI/AWWA C104/A21.4 or a Fusion-Bonded Epoxy (FBE) coating in accordance with ANSI/AWWA C116/A21.16.

The MJ x MJ Adapter Kit shall come complete with one MJ x MJ adapter, two standard SBR Mechanical Joint Gaskets, and all required T-Head bolts or Pigtail bolts and Nuts and Spacers.

The MJ x MJ Adapter shall be SIP Industries EZ Grip MJ x MJ Adapter or an approved equal.

The MJ x MJ adapter may not fit on both branch and run of tees and crosses and on both ends of some bends because of long bolts and spacers. When installing fitting to fitting, pigtail eye bolts may be inserted into any bolt hole. For certain valves it may be easier to insert pigtail eye bolts on the sides of the valve or in slotted holes.

Available: Import 

PRODUCT LINE

AWWA DI Fittings & Accessories

- C153 Compact MJ Fittings and Acc. 2" - 64"
- C110 Full Body MJ Fittings 2" - 64"
- C153 Trim Tyton® Push-On Fittings 4" - 24"
- C110 Flange Fittings 2" - 64"
- MJ x MJ Adapter for Connecting MJ Bells 3" - 24"
- Stainless Steel & Blue T-Bolts
- Made in India, China & Mexico
- Bare, Cement, Zinc, FBE & Other Linings

Joint Restraint System

- EZD Joint Restraint for DI Pipe 3" - 48"
- EZDTP Joint Restraint Tandem for DI Pipe 3" - 48"
- EZDPTP Joint Restraint for Push-On Joints DI Pipe 3" - 48"
- Ductile Iron Retainer Glands 3" - 30"
- FAR / FAH Flange Adapter for DI Pipe 3" - 48"
- EZFA Restrained Flange Adapter for DI and PVC Pipe 3" - 36"
- EZPVC Joint Restraint for PVC Pipe 3" - 36"
- ULTRA Joint Restraint for PVC Pipe 4" - 12"
- EZPVCPTP Joint Restraint for Push-On Joints PVC Pipe 14" - 36"
- PTPVC Pipe to Pipe Restraint 4" - 48"
- PTPDF Pipe to MJ Fittings Restraint 4" - 48"
- PTPFC Pipe to PVC Fittings Restraint 4" - 12"
- Made in China & USA
- EZ Shield or Shop Coating

Municipal Construction Castings

- Manhole Rings and Cover
- Frames and Grates
- Valve Boxes and Service Boxes
- Water Meter Covers and Boxes
- Cleanout and Monument Boxes
- Detectable Warning Plates
- Extension Rings
- Trench Grates and Tree Grates
- Made in India & USA

Fabrication Products for DI Pipe

- High Hub Flanges Class 150 and 250. 3" - 64"
- Threaded Bell Flanges 3" - 48"
- Anchor Flanges 3" - 60"
- Filler Flanges 4" - 30"

Other Products and Services

- All Thread Rod
- Pipe Lube and Hydraulic Cement
- Socket Clamps and Lugs
- Flange Packs
- OEM Castings



SIP INDUSTRIES

SERAMPORE
SINCE 1960

SIP CORPORATE 8876 Gulf Freeway, Suite 500, Houston, TX 77017

SIP CENTRAL 2900 Patio Drive, Houston, TX 77017

SIP EAST 600 Rayloc Drive, Atlanta, GA 30336

SIP WEST 8333 Almeria Avenue, Fontana, CA 92335

Phone: 877-921-6111 or 713-923-6111 | Fax: 713-923-6114 | www.sipindustries.com | sales@sipindustries.com