



# SIP Industries

Quality Manufacturers Since 1960



## Trench Grates



★★★  
**SIP INDUSTRIES**  
SERAMPORE  
SINCE 1960

[www.sipindustries.com](http://www.sipindustries.com)

Toll Free 877-921-6111

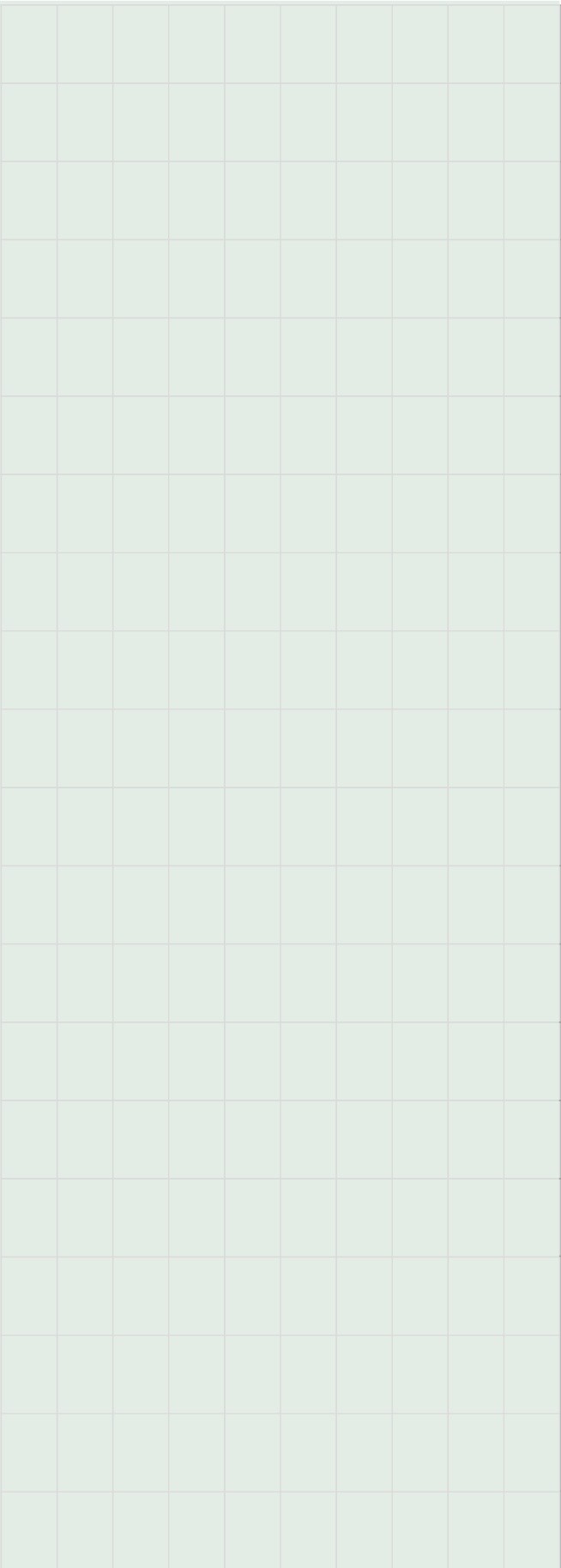
V 0524-01

## TABLE OF CONTENTS

<u>ITEM #</u>	<u>DESCRIPTION</u>	<u>PAGE #</u>
2804 - 2853	TRENCH GRATE - PLAIN	Page : TG 3
2835 - 2840	TRENCH GRATE - BOLT DOWN	Page : TG 3

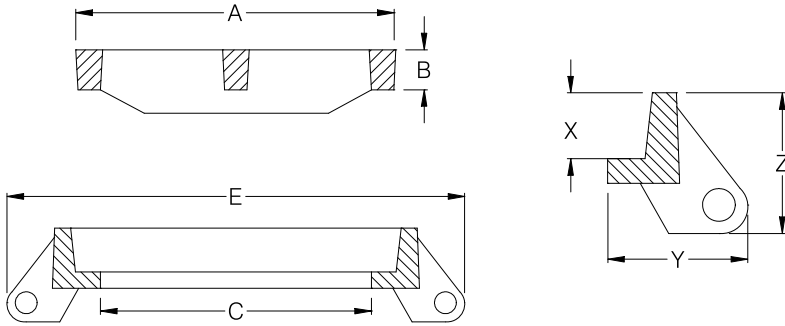
- All dimensions are in inches unless noted otherwise.
- All weights are approximate in pounds unless noted otherwise.

GENERAL NOTES

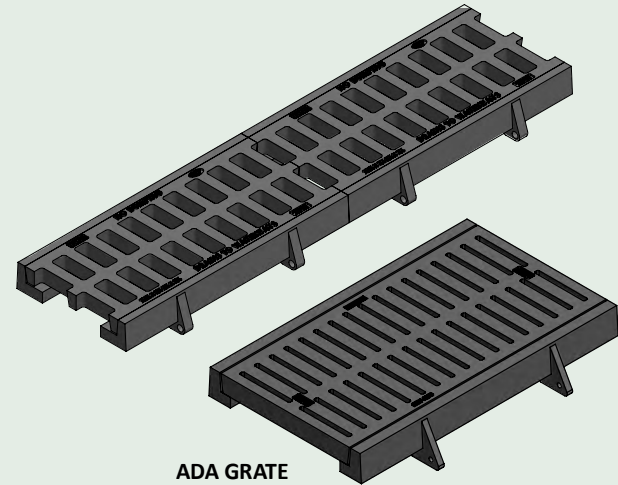
## TRENCH GRATE - PLAIN

ITEM # : 2804 - 2853



ITEM NO.	EQ. NO.	A (IN)	B (IN)	C (IN)	E (IN)
2808	V-7301	8	1 1/2	6	13
2810	V-7302	10	1 1/2	8	15
2812	V-7303	12	1 1/2	10	17
2814	V-7304	14	2	12	19
2817	V-7305	17	2	15	22
2852		12	1 1/2	10	17

FRAME		
X	Y	Z
1 1/2	3 1/2	3 3/4
2	3 1/2	4



ADA GRATE

GRATE	SLOT	OPEN AREA	FLOW RATE
2808	2 3/8" X 1 3/8" - 18 Nos.	59.12 sq. in.	1.56 ft <sup>3</sup> /sec.
2810	3 1/2" X 1 3/8" - 18 Nos.	86.94 sq. in.	2.29 ft <sup>3</sup> /sec.
2812	4 1/2" X 1 3/8" - 18 Nos.	111.78 sq. in.	2.95 ft <sup>3</sup> /sec.
2814	5 1/2" X 1 3/8" - 18 Nos.	136.62 sq. in.	3.61 ft <sup>3</sup> /sec.
2817	7" X 1 3/8" - 18 Nos.	173.88 sq. in.	4.59 ft <sup>3</sup> /sec.
2852	4 11/16" X 1/2" - 34 Nos.	79.73 sq. in.	2.10 ft <sup>3</sup> /sec.

\*Open Area & Flow Rate Values are Approximate.

Load Rating : H-20/HS-20 Load Rated

Material : Cast Iron, ASTM A48, Class 30B

Dimensions : All are in Inch

ITEM # DESCRIPTION

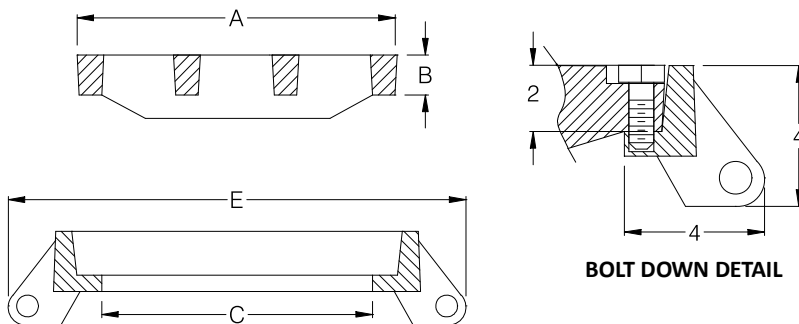
2808 8" TRENCH GRATE  
2810 10" TRENCH GRATE  
2812 12" TRENCH GRATE  
2814 14" TRENCH GRATE  
2817 17" TRENCH GRATE

ITEM # DESCRIPTION

2804 1.5" TRENCH RAIL 4' FOR 8", 10" AND 12"  
2813 2" TRENCH RAIL 4' FOR 14" AND 17"  
2852 12" TRENCH GRATE ADA/TDLR COMP. 32" OPEN  
2853 12" TRENCH GRATE 1.5" TRENCH RAIL 2' FOR 4', 8' & 10'

## TRENCH GRATE - BOLT DOWN

ITEM # : 2835 - 2840

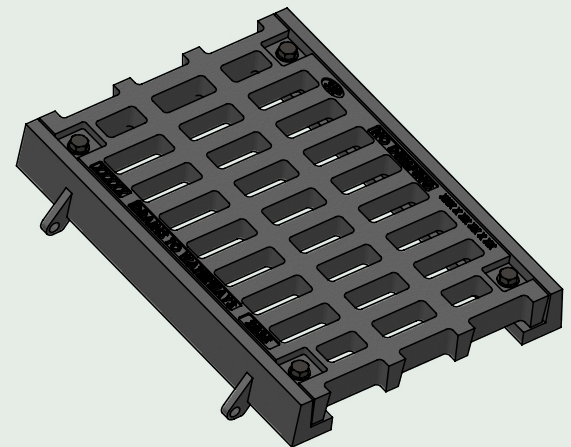


BOLT DOWN DETAIL

ITEM NO.	EQ. NO.	A (IN)	B (IN)	C (IN)	E (IN)
2835	V-7324	15	2	12	21 1/2
2838	V-7325	18	2	15	24 1/2
2840	V-7326	21	2	18	27 1/2

ITEM # DESCRIPTION

2835 15" TRENCH GRATE BOLT DOWN 2' SECTIONS  
2838 18" TRENCH GRATE BOLT DOWN 2' SECTIONS  
2840 21" TRENCH GRATE BOLT DOWN 2' SECTIONS



GRATE	SLOT	OPEN AREA	FLOW RATE
2835	3 3/8" X 1 1/2" - 14 Nos. 3 7/8" X 1 1/2" - 13 Nos.	146.64 sq. in.	3.87 ft <sup>3</sup> /sec.
2838	4 3/4" X 1 1/2" - 27 Nos.	192.38 sq. in.	5.08 ft <sup>3</sup> /sec.
2840	5 6/11" X 1 1/2" - 27 Nos.	230.45 sq. in.	6.08 ft <sup>3</sup> /sec.

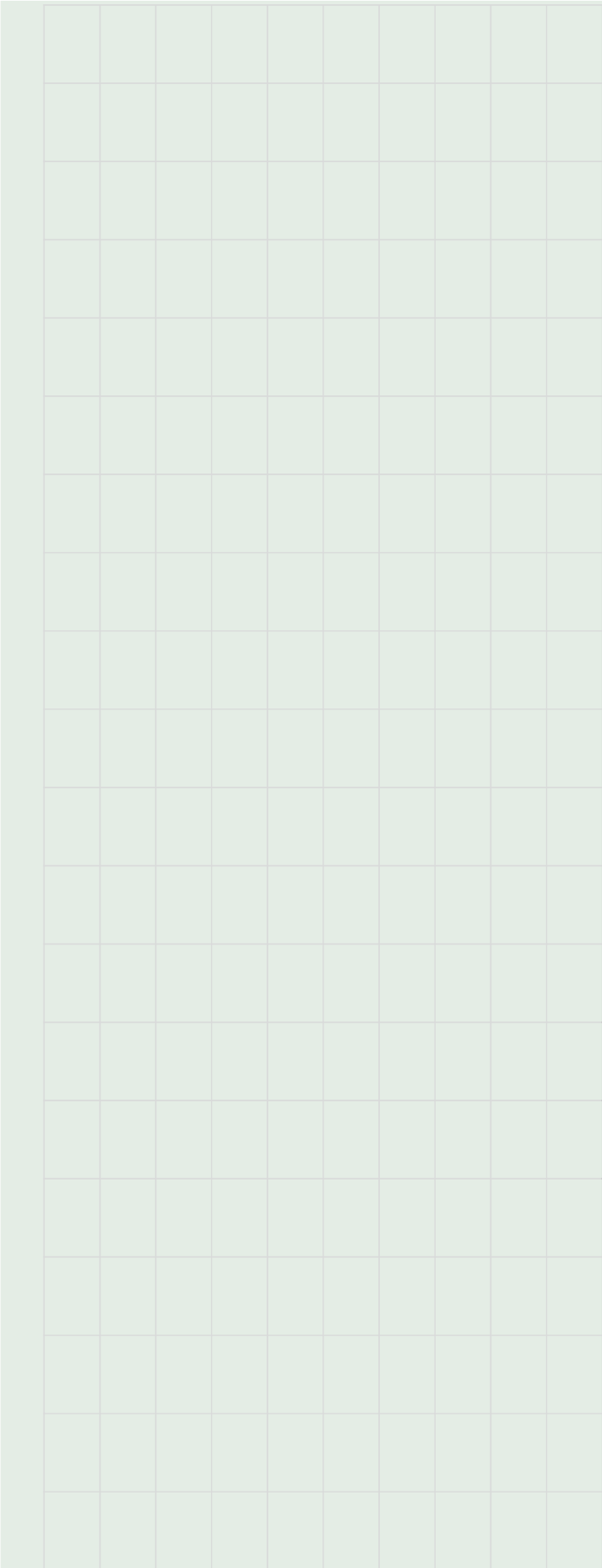
\*Open Area & Flow Rate Values are Approximate.

Load Rating : H-20/HS-20 Load Rated

Material : Cast Iron, ASTM A48, Class 30B

Dimensions : All are in Inch

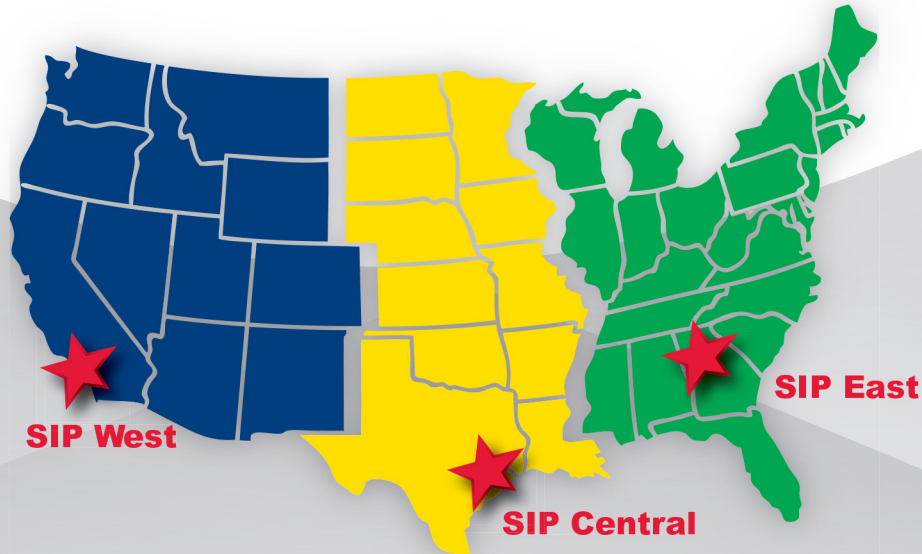
GENERAL NOTES



# SIP Industries

Quality Manufacturers Since 1960



## PRODUCT LINE

### AWWA DI Fittings & Accessories

- C153 Compact MJ Fittings and Acc. 2" - 64"
- C110 Full Body MJ Fittings 2" - 64"
- C153 Trim Tyton® Push-On Fittings 4" - 24"
- C110 Flange Fittings 2" - 64"
- MJ x MJ Adapter for Connecting MJ Bells 3" - 24"
- Stainless Steel & Blue T-Bolts
- Made in India, China & Mexico
- Bare, Cement, Zinc, FBE & Other Linings

### Joint Restraint System

- EZD Joint Restraint for DI Pipe 3" - 48"
- EZDTP Joint Restraint Tandem for DI Pipe 3" - 48"
- EZDPTP Joint Restraint for Push-On Joints DI Pipe 3" - 48"
- Ductile Iron Retainer Glands 3" - 30"
- FAR / FAH Flange Adapter for DI Pipe 3" - 48"
- EZFA Restrained Flange Adapter for DI and PVC Pipe 3" - 36"
- EZPVC Joint Restraint for PVC Pipe 3" - 36"
- ULTRA Joint Restraint for PVC Pipe 4" - 12"
- EZPVCPTP Joint Restraint for Push-On Joints PVC Pipe 14" - 36"
- PTPVC Pipe to Pipe Restraint 4" - 48"
- PTPDF Pipe to MJ Fittings Restraint 4" - 48"
- PTPFC Pipe to PVC Fittings Restraint 4" - 12"
- Made in China & USA
- EZ Shield or Shop Coating

### Municipal Construction Castings

- Manhole Rings and Cover
- Frames and Grates
- Valve Boxes and Service Boxes
- Water Meter Covers and Boxes
- Cleanout and Monument Boxes
- Detectable Warning Plates
- Extension Rings
- Trench Grates and Tree Grates
- Made in India & USA

### Fabrication Products for DI Pipe

- High Hub Flanges Class 150 and 250. 3" - 64"
- Threaded Bell Flanges 3" - 48"
- Anchor Flanges 3" - 60"
- Filler Flanges 4" - 30"

### Other Products and Services

- All Thread Rod
- Pipe Lube and Hydraulic Cement
- Socket Clamps and Lugs
- Flange Packs
- OEM Castings



**SIP CORPORATE** 8876 Gulf Freeway, Suite 500, Houston, TX 77017

**SIP CENTRAL** 2900 Patio Drive, Houston, TX 77017

**SIP EAST** 600 Rayloc Drive, Atlanta, GA 30336

**SIP WEST** 8333 Almeria Avenue, Fontana, CA 92335

Phone: 877-921-6111 or 713-923-6111 | Fax: 713-923-6114 | [www.sipindustries.com](http://www.sipindustries.com) | [sales@sipindustries.com](mailto:sales@sipindustries.com)