



SIP Industries

Quality Manufacturers Since 1960



Regional Valve Boxes



★★★
SIP INDUSTRIES
SERAMPORE
SINCE 1960

www.sipindustries.com

Toll Free 877-921-6111

V 0524-01

TABLE OF CONTENTS

<u>ITEM #</u>	<u>DESCRIPTION</u>	<u>PAGE #</u>
2000	TYPE A VALVE BOX & EXTENSION	Page : RVB 3
2867	TRIANGULAR VALVE BOX EQ. M-9009	Page : RVB 3
2890LP -2890LCO	EQ. G05 VALVE BOX LID ONLY	Page : RVB 4
4000	AUSTIN VALVE BOX EQ. V8491	Page : RVB 4
4110 - 4120	CLT VALVE BOX	Page : RVB 5
4200	SAN ANTONIO VBX #71 COMPLETE W/10" EXT.	Page : RVB 6
5740	KCMO VALVE BOX	Page : RVB 6
4284 - 4287	CITY OF CORPUS CHRISTI VALVE BOX	Page : RVB 7
4300	EQ. 340-1 DALLAS SHORTY VALVE BOX	Page : RVB 7
4400	EL PASO BONNET VALVE BOX COMPLETE W/ EXT. RING	Page : RVB 7
4525	ALBUQUERQUE VALVE BOX - CL35B	Page : RVB 8
5039 - 5048	TUCSON VALVE BOX	Page : RVB 8
5213	KANSAS 6" VBX W/ WATER LID EQ. CB 2195	Page : RVB 8
5214	SPRINGFIELD WATER VBX	Page : RVB 9
5216	KANSAS 4" TOP & LID EQ. CB 2197	Page : RVB 9
5218	KANSAS 6" TOP & LID EQ. CB 2194	Page : RVB 9
5310 - 5311	EQ AC 901 ASHEVILLE VALVE BOX	Page : RVB 10
5714 - 5716	CITY OF WINSTON SALEM VALVE BOX	Page : RVB 10
5720	GREENSBORO VALVE BOX & LID	Page : RVB 11
5723	GREENVILLE P107 VALVE BOX W/ EXT.	Page : RVB 11
5741	KANSAS CITY VALVE BOX EQ. 2238	Page : RVB 11
5784	RECLAIMED WATER BOX & LID COMPLETE	Page : RVB 12
6023	COLUMBUS VALVE BOX	Page : RVB 12
6320	RENO VALVE BOX & LID	Page : RVB 13
PR 7500	PUERTO-RICO VALVE BOX STD.	Page : RVB 13
7100B24	24" VALVE BOX BELL EQ. #940	Page : RVB 14
7100B36	36" VALVE BOX BELL EQ. #940	Page : RVB 14
7100EXT1.5	1 1/2" VALVE BOX RISER FOR EQ. #940	Page : RVB 14
7100EXT2	2" VALVE BOX RISER FOR EQ. #940	Page : RVB 15
7100EXT12	12" VALVE BOX RISER FOR EQ. #940	Page : RVB 15
7100LWDS	VALVE BOX WATER LID DEEP SKIRT EQ. #940	Page : RVB 15
7100T08	8" VALVE BOX TOP EQ. #940	Page : RVB 16

Contd.....

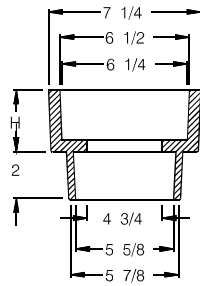
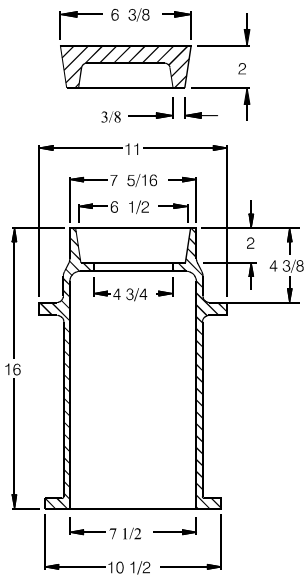
TABLE OF CONTENTS

<u>ITEM #</u>	<u>DESCRIPTION</u>	<u>PAGE #</u>
7100T18	18" VALVE BOX TOP EQ. #940	Page : RVB 16
7101LW	VALVE BOX WATER LID EQ. #045	Page : RVB 16
7101T18	18" VALVE BOX TOP EQ. #045	Page : RVB 17
7102LS	VALVE BOX SEWER LID EQ. #910	Page : RVB 17
7102LW	VALVE BOX WATER LID EQ. #910	Page : RVB 17
7102T18	18" VALVE BOX TOP EQ. #910	Page : RVB 18
7103LW	VALVE BOX WATER LID DI EQ. #931	Page : RVB 18
7103T15	15" VALVE BOX TOP DI EQ. #931	Page : RVB 18
7104DH	5'5" DOUBLE HUB	Page : RVB 19
7104SH	5'5" SINGLE HUB	Page : RVB 19

- All dimensions are in inches unless noted otherwise.
- All weights are approximate in pounds unless noted otherwise.

TYPE A VALVE BOX & EXTENSION

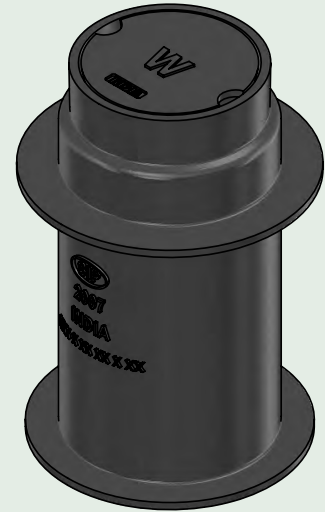
ITEM # : 2000



ITEM#	H
2002	2
2003	3
2004	4
2006	6

RISER

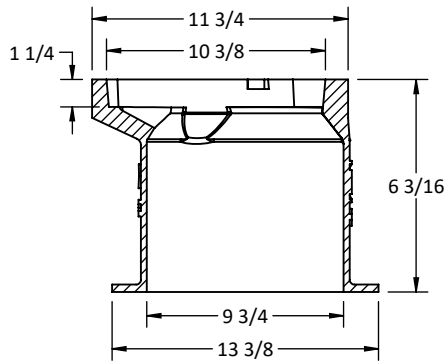
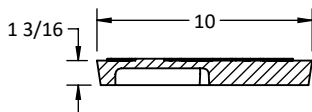
ITEM #	DESCRIPTION
2001	LID ONLY HOUSTON
2001NFB	LID NORTH FT BEND
2001WHC	LID WEST HARRIS COUNTY
2007	BODY
2010	VALVE BOX SET CL-35



Material : Cast Iron, ASTM A48, Class 30B
 Dimensions : All are in Inch

TRIANGULAR VALVE BOX EQ. M-9009

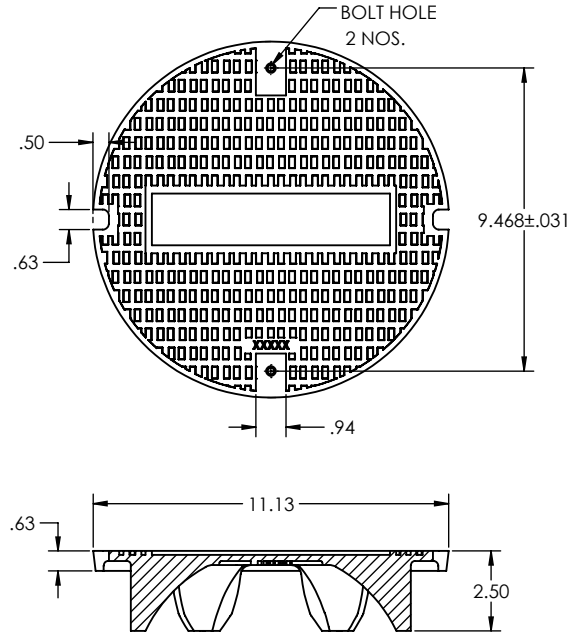
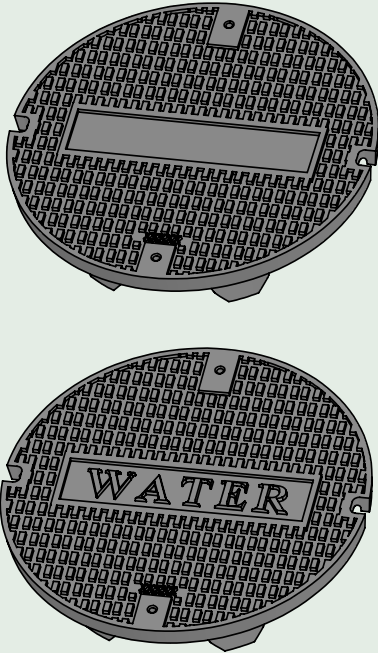
ITEM # : 2867



ITEM #	DESCRIPTION
2867	TRIANGULAR VBX EQ. M-9009
2867C	TRIANGULAR VBX LID ONLY EQ. M-9009
2867R	TRIANGULAR VBX BODY ONLY EQ. M-9009
2867S	TRIANGULAR VBX & SEWER LID EQ. M-9009
2867SC	TRIANGULAR VBX SEWER LID ONLY EQ. M-9009
2867I	TRIANGULAR VBX & IRRIGATION LID ONLY EQ. M-9009
2867IC	TRIANGULAR VBX IRRIGATION LID ONLY EQ. M-9009



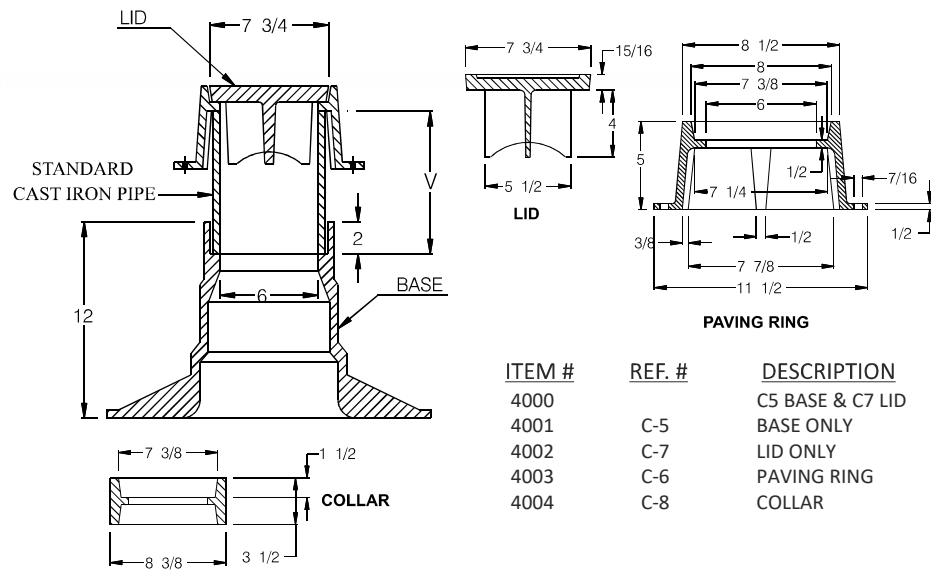
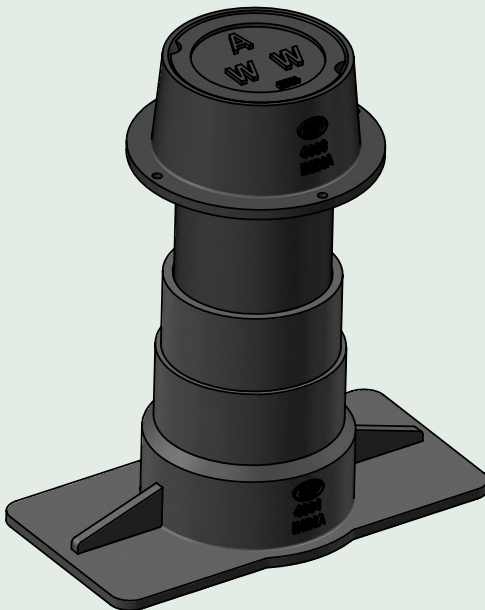
Material : Cast Iron, ASTM A48, Class 30B
 Dimensions : All are in Inch



- 2890LP EQ. G05 VBX LID PLAIN
- 2890LW EQ. G05 VBX LID WATER
- 2890LSW EQ. G05 VBX LID SEWER
- 2890LST EQ. G05 VBX LID STORM
- 2890LCO EQ. G05 VBX LID CLEANOUT

Material : Cast Iron, ASTM A48 Class 30B

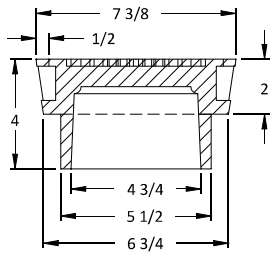
Dimensions : All are in Inch



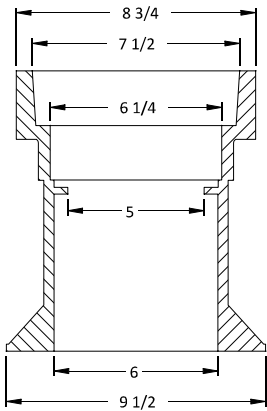
ITEM #	REF. #	DESCRIPTION
4000		C5 BASE & C7 LID
4001	C-5	BASE ONLY
4002	C-7	LID ONLY
4003	C-6	PAVING RING
4004	C-8	COLLAR

Material : Cast Iron, ASTM A48 Class 30B

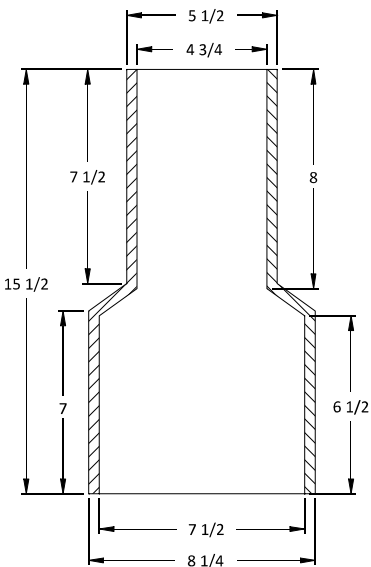
Dimensions : All are in Inch



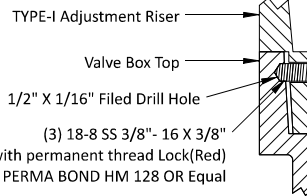
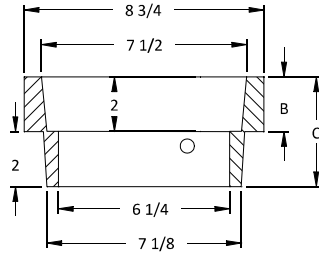
COVER



TOP



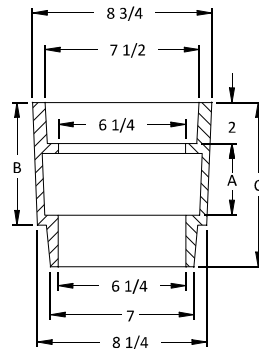
BOTTOM



(3) 18-8 SS 3/8"- 16 X 3/8"
Hex set screw with permanent thread Lock (Red)
COCTITE # 271, PERMA BOND HM 128 OR Equal

TYPE-I ADJUSTMENT RISER

ITEM #	B	C
4111	1"	3"
4112	1 1/2"	3 1/2"
4113	2"	4"

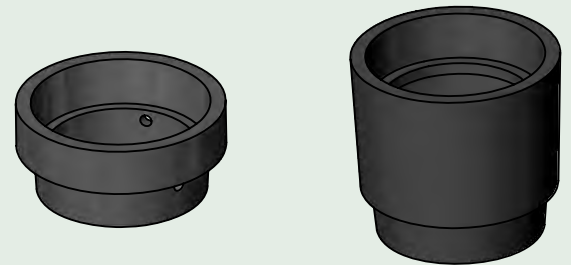
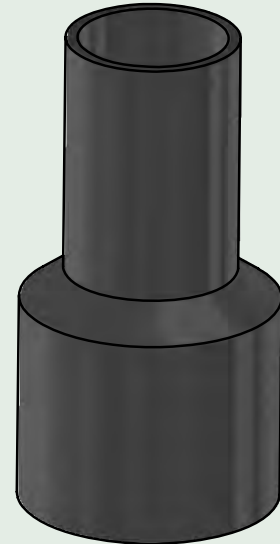
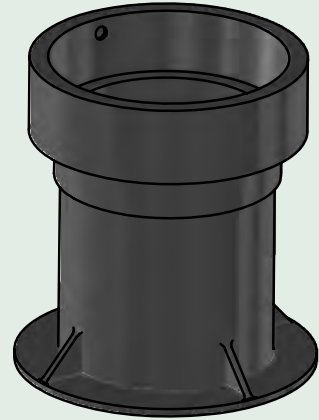
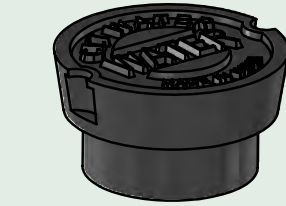


TYPE-II ADJUSTMENT RISER

ITEM #	A	B	C
4115	0	2 1/2"	4 1/2"
4116	1/2"	3"	5"
4117	1 1/2"	4"	6"
4118	2 1/2"	5"	7"
4119	3 1/2"	6"	8"
4120	5 1/2"	8"	10"

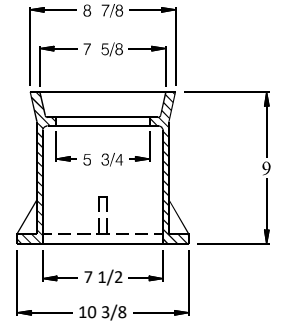
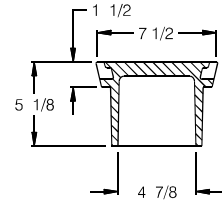
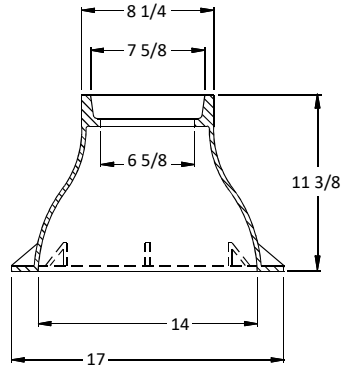
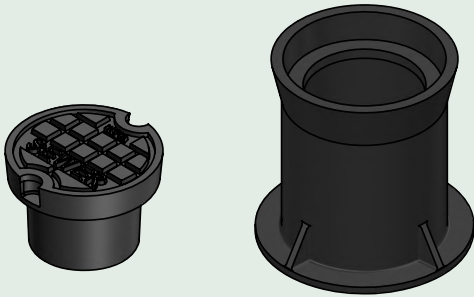
ITEM# DESCRIPTION

- 4110B CLT VALVE BOX BOTTOM ONLY
- 4110T CLT VALVE BOX TOP ONLY
- 4110W CLT VALVE BOX WATER HD
- 4110S CLT VALVE BOX SEWER HD
- 4110C CLT VALVE BOX C.P. TEST HD
- 4110R CLT VALVE BOX RECLAIMED HD



Material : Cast Iron, ASTM A48 Class 35B

Dimensions : All are in Inch

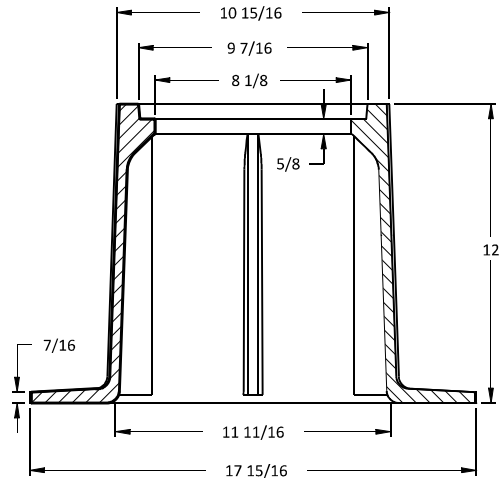
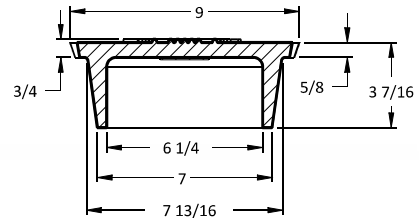
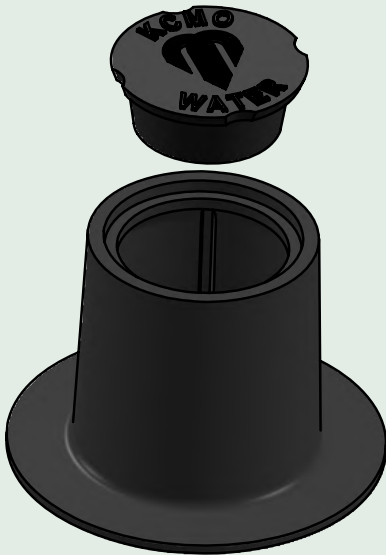


ITEM #	DESCRIPTION
4202	BASE ONLY
4204	10" EXTENSION
4205	13" EXTENSION
4206	15" EXTENSION
4207	5" WATER LID
4208	5" SEWER LID
4209	5" GAS LID
4210	STD. WATER LID
4211	STD. SEWER LID
4212	STD. GAS LID
4213	STD. OPEN LEFT LID
4213OR	STD. OPEN RIGHT LID

Default Lid Letter is 'WATER'

Material : Cast Iron, ASTM A48 Class 30B

Dimensions : All are in Inch

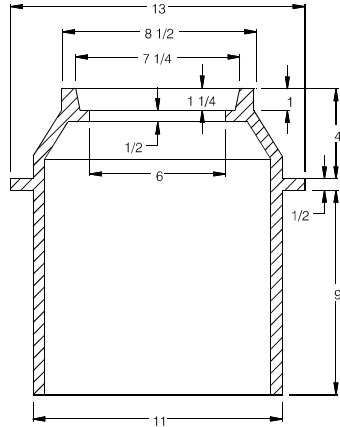
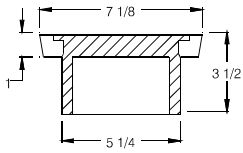


Material : Cast Iron, ASTM A48 Class 35B

Dimensions : All are in Inch

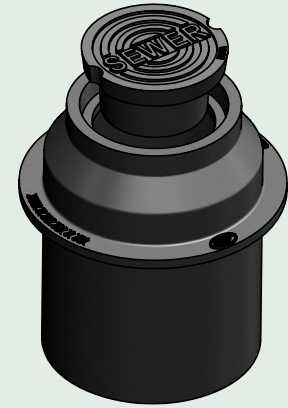
CITY OF CORPUS CHRISTI VALVE BOX

ITEM # : 4284 - 4287



ITEM #	DESCRIPTION
4284	BODY ONLY
4285	VALVE BOX COMPLETE
4286	WATER LID ONLY
4287	SEWER LID ONLY

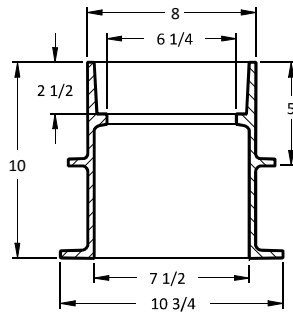
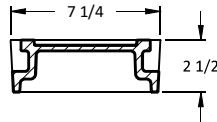
Default Lid Letter is 'WATER'



Material : Cast Iron, ASTM A48 Class 30B
Dimensions : All are in Inch

EQ 340-1 DALLAS SHORTY VALVE BOX

ITEM # : 4300



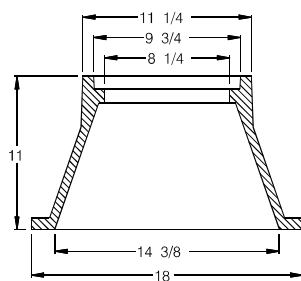
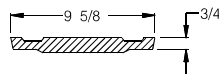
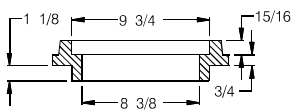
ITEM #	DESCRIPTION
4301	EQ 340-1 LID WATER
4302	EQ 340-1 LID SEWER
4303	EQ 340-1 LID CLEAN OUT
4304	EQ 340-1 LID STORM
4305	EQ 340-1 #70 SHORTY BODY
4300	EQ 340-1 DALLAS SHORTY VALVE BOX W/ WATER LID
4308	EQ 340-1 DALLAS SHORTY VALVE BOX W/ SEWER LID



Material : Cast Iron, ASTM A48, Class 30B
Dimensions : All are in Inch

EL PASO BONNET VALVE BOX COMPLETE W/ EXT. RING

ITEM # : 4400



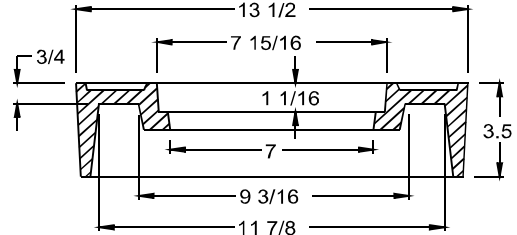
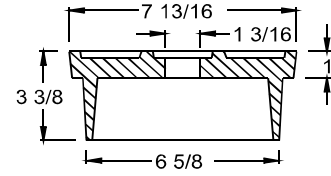
ITEM #	DESCRIPTION
4400	VBX COMPLETE W/ EXT. RING
4401	VBX BASE
4402	VBX EXTENSION RING
4403	VBX LID
4403FR	VBX FLIP RESISTANT LID ONLY
4403FRN	VBX FLIP RESISTANT WATER LID ONLY
4403S	VBX SEWER LID ONLY



Material : Cast Iron, ASTM A48, Class 30B
Dimensions : All are in Inch

ITEM # : 4525

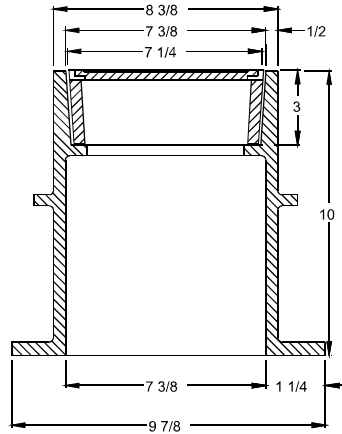
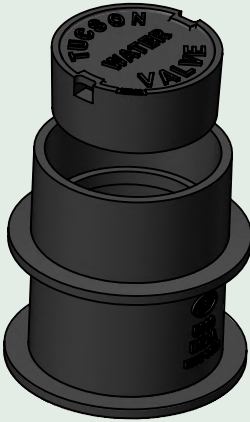
ALBUQUERQUE VALVE BOX - CL35B



Material : Cast Iron, ASTM A48, Class 30B
Dimensions : All are in Inch

ITEM # : 5039 - 5048

TUCSON VALVE BOX

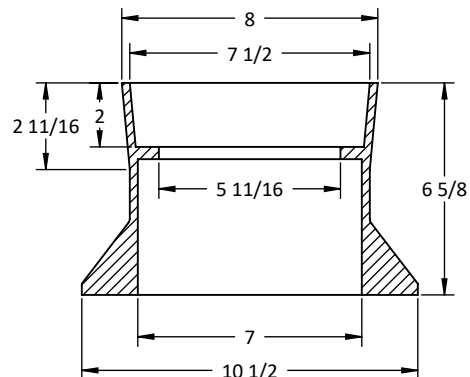
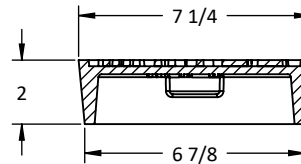
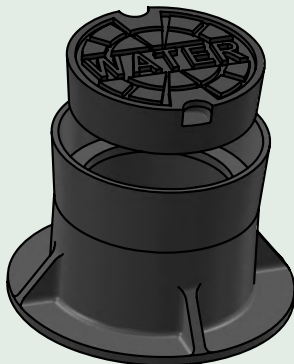


ITEM #	DESCRIPTION
5039	VBX BODY ONLY
5040	VBX COMPLETE 'TUCSON WATER'
5041	VBX COMPLETE 'WATER'
5042	VBX COMPLETE 'SEWER'
5043	LID ONLY 'TUCSON WATER'
5044	LID ONLY 'WATER'
5045	LID ONLY 'SEWER'
5047	LID ONLY 'ORO VALLEY'
5048	LID ONLY 'METRO WATER'

Material : Cast Iron, ASTM A48, Class 30B
Dimensions : All are in Inch

ITEM # : 5213

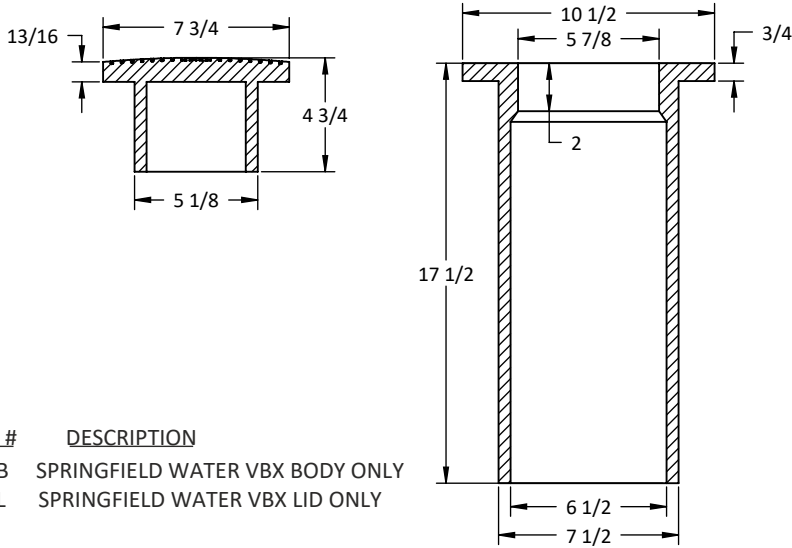
KANSAS 6" VBX W/ WATER LID EQ. CB 2195



Material : Cast Iron, ASTM A48, Class 30B
Dimensions : All are in Inch

SPRINGFIELD WATER VBX

ITEM # : 5214

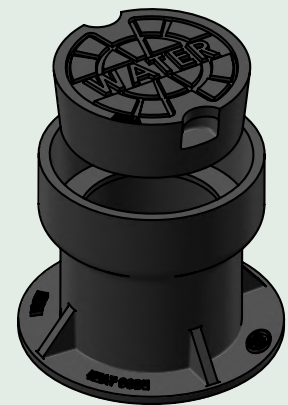
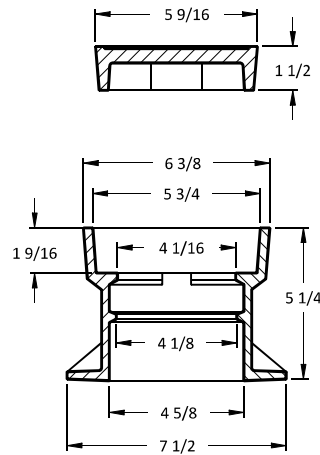


ITEM #	DESCRIPTION
5214B	SPRINGFIELD WATER VBX BODY ONLY
5214L	SPRINGFIELD WATER VBX LID ONLY

Material : Cast Iron, ASTM A48 Class 30B
 Dimensions : All are in Inch

KANSAS 4" TOP & LID EQ. CB 2197

ITEM # : 5216

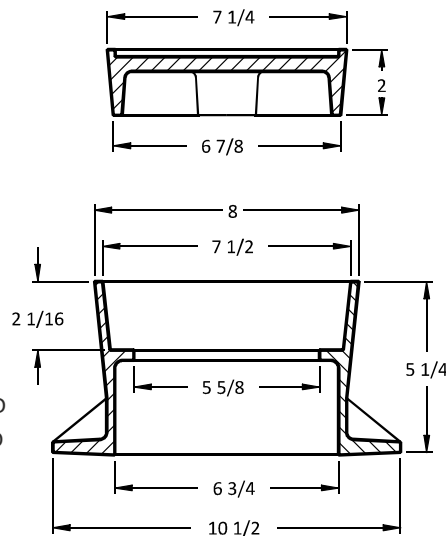


ITEM #	DESCRIPTION
5216	KANSAS 4" TOP & LID "WATER" EQ. CB 2197
5217	KANSAS 4" TOP & LID "SEWER" EQ. CB 2197

Material : Cast Iron, ASTM A48, Class 30B
 Dimensions : All are in Inch

KANSAS 6" TOP & LID EQ. CB 2194

ITEM # : 5218

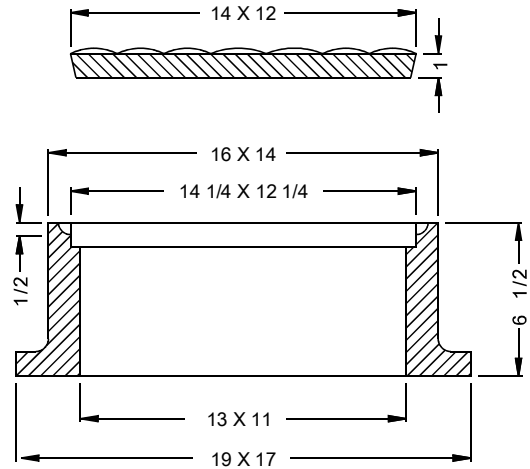


ITEM #	DESCRIPTION
5218	KANSAS 6" BODY & WATER LID
5218S	KANSAS 6" BODY & SEWER LID
5218B	KANSAS 6" BODY ONLY
5219	KANSAS 6" LID ONLY 'WATER'
5219S	KANSAS 6" LID ONLY 'SEWER'

Material : Cast Iron, ASTM A48, Class 30B
 Dimensions : All are in Inch

ITEM # : 5310 - 5311

AC 901 ASHEVILLE VALVE BOX

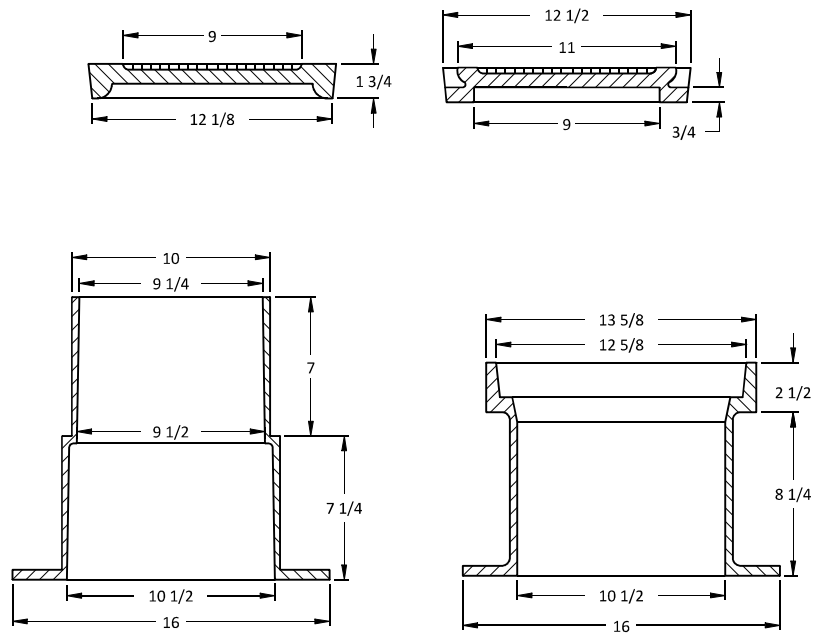
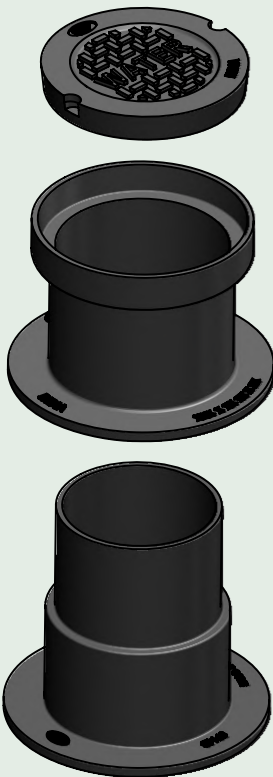


Material : Cast Iron, ASTM A48 Class 35B
Dimensions : All are in Inch

ITEM #	DESCRIPTION
5310	AC 901 ASHEVILLE VALVE BOX (WATER)
5311	AC 901 ASHEVILLE VALVE BOX (SEWER)

ITEM # : 5714 - 5716

CITY OF WINSTON SALEM VALVE BOX

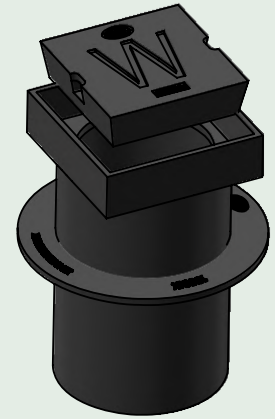
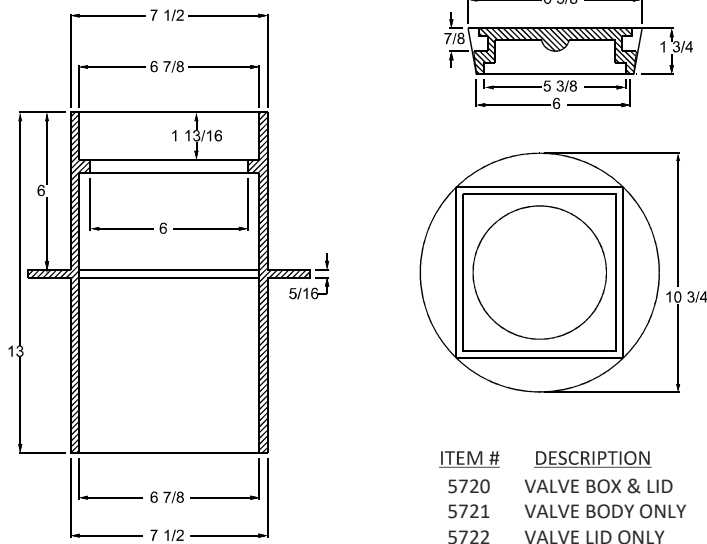


Material : Cast Iron, ASTM A48 Class 30B
Dimensions : All are in Inch

ITEM #	DESCRIPTION
5714	WINSTON SALEM TOP & LID
5714B	WINSTON SALEM BOTTOM ONLY
5715	WINSTON SALEM TOP ONLY
5716	WINSTON SALEM LID ONLY

GREENSBORO VALVE BOX & LID

ITEM # : 5720

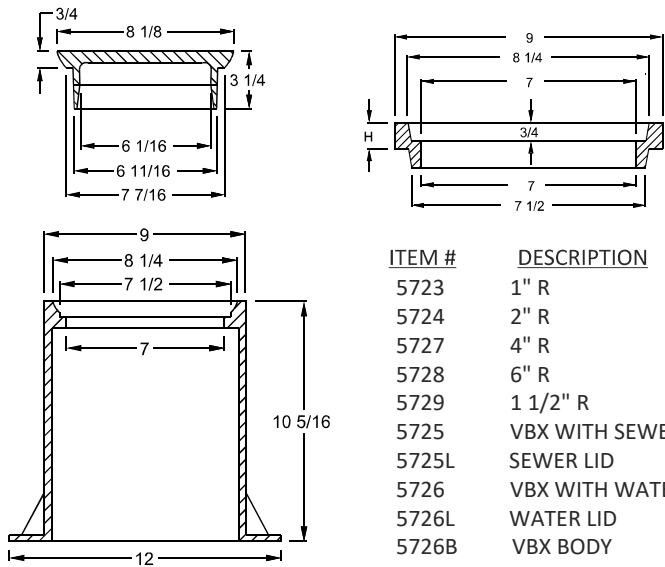


ITEM #	DESCRIPTION
5720	VALVE BOX & LID
5721	VALVE BODY ONLY
5722	VALVE LID ONLY

Material : Cast Iron, ASTM A48 Class 30B
Dimensions : All are in Inch

GREENVILLE P107 VALVE BOX W/ EXT.

ITEM # : 5723



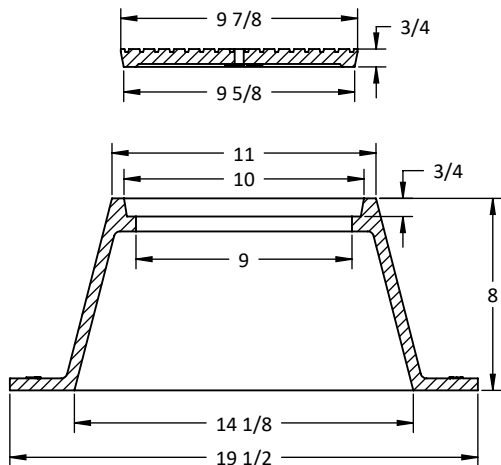
ITEM #	DESCRIPTION
5723	1" R
5724	2" R
5727	4" R
5728	6" R
5729	1 1/2" R
5725	VBX WITH SEWER
5725L	SEWER LID
5726	VBX WITH WATER
5726L	WATER LID
5726B	VBX BODY



Material : Cast Iron, ASTM A48, Class 30B
Dimensions : All are in Inch

KANSAS CITY VALVE BOX EQ. 2238

ITEM # : 5741



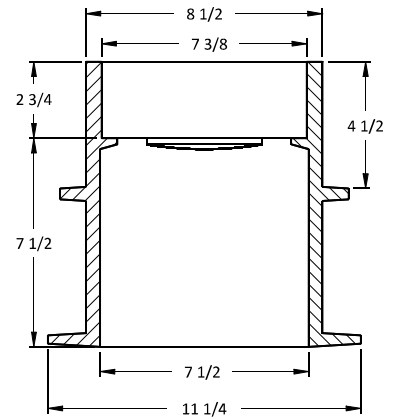
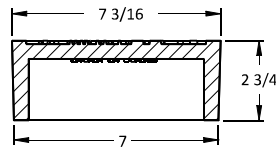
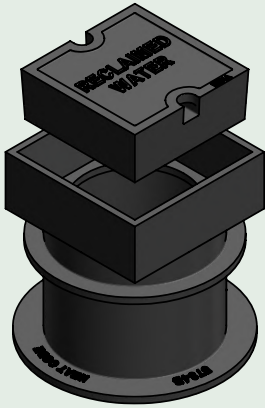
ITEM #	DESCRIPTION
5741B	KANSAS CITY VALVE BOX BODY ONLY EQ. 2238
5741L	KANSAS CITY VALVE BOX LID ONLY EQ. 2238



Material : Cast Iron, ASTM A48, Class 30B
Dimensions : All are in Inch

ITEM # : 5784

RECLAIMED WATER BOX & LID COMPLETE

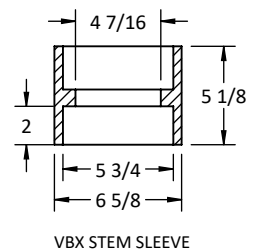
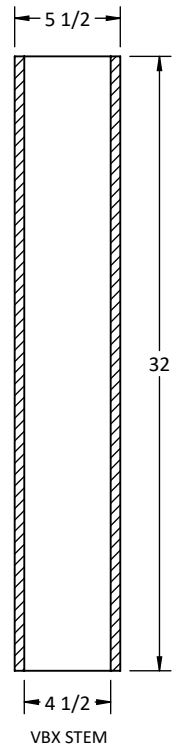
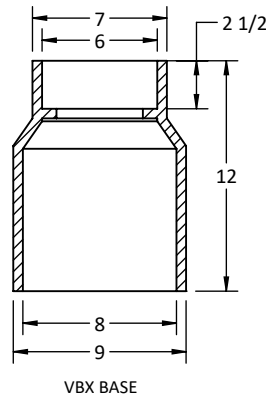
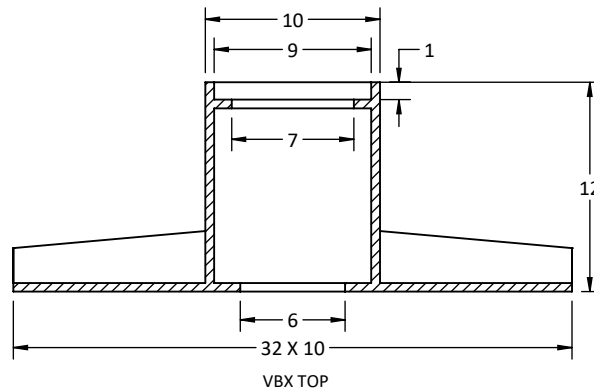
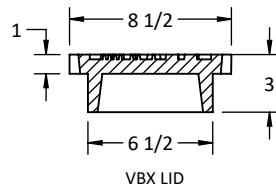
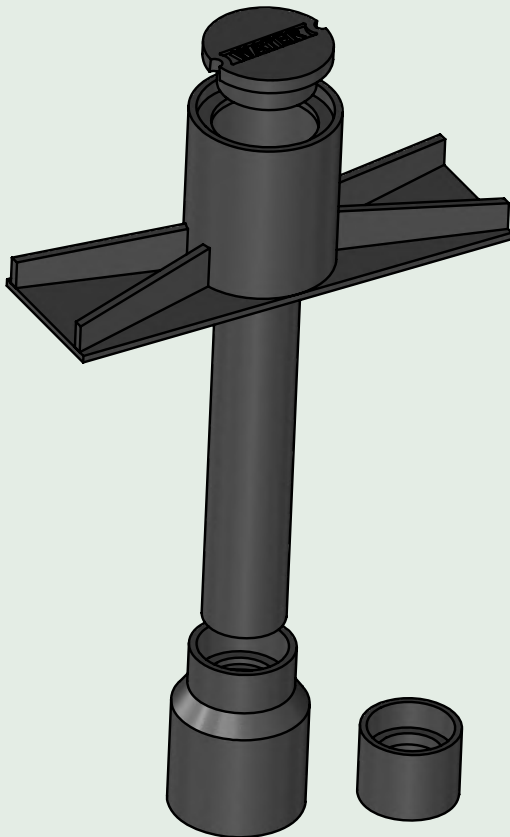


ITEM #	DESCRIPTION
5784	RECLAIMED WATER BOX & LID
5784B	RECLAIMED WATER BOX ONLY
5784L	RECLAIMED WATER LID ONLY

Material : Cast Iron, ASTM A48 Class 30B
Dimensions : All are in Inch

ITEM # : 6023

COLUMBUS VALVE BOX

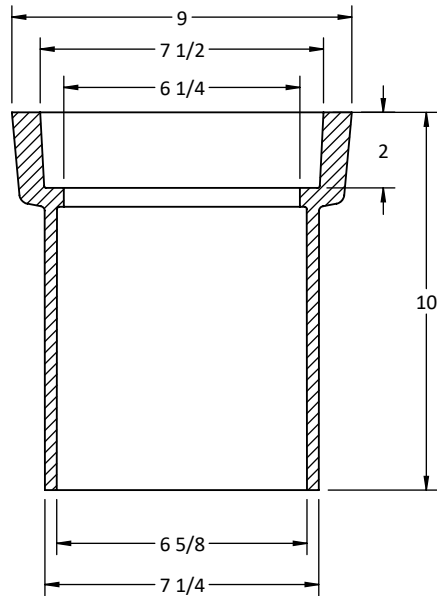
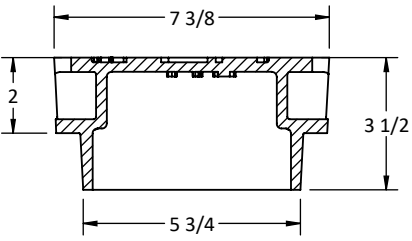


ITEM #	DESCRIPTION
6023B	COLUMBUS VBX BASE ONLY
6023L	COLUMBUS VBX LID ONLY
6023S	COLUMBUS VBX STEM ONLY
6023SS	COLUMBUS VBX STEM SLEEVE ONLY
6023T	COLUMBUS VBX TOP ONLY

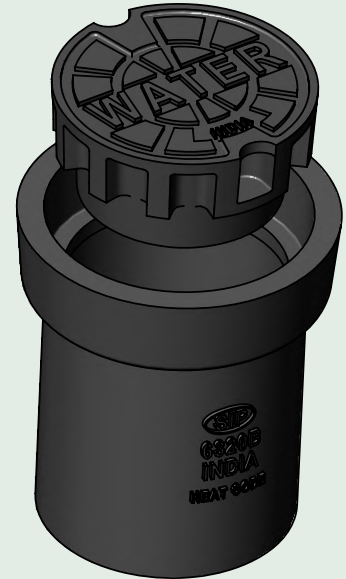
Material : Cast Iron, ASTM A48 Class 30B
Dimensions : All are in Inch

RENO VALVE BOX & LID

ITEM # : 6320



ITEM #	DESCRIPTION
6320B	RENO VALVE BOX BODY ONLY
6320G	RENO VALVE BOX LID ONLY - GAS
6320SR	RENO VALVE BOX LID ONLY - SURVEY
6320SW	RENO VALVE BOX LID ONLY - SEWER
6320TS	RENO VALVE BOX LID ONLY - TEST STATION
6320W	RENO VALVE BOX LID ONLY - WATER

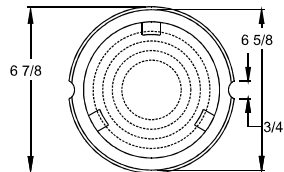
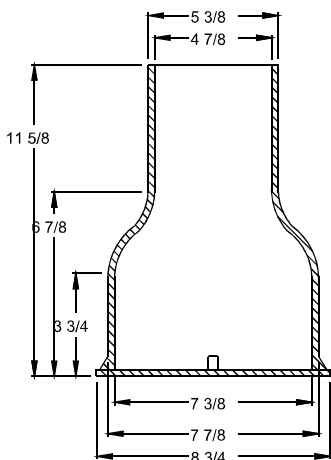
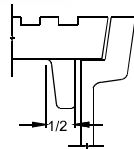
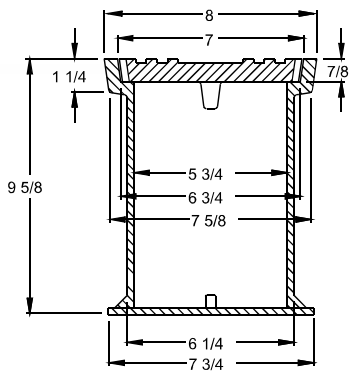


Material : Cast Iron, ASTM A48 Class 30B

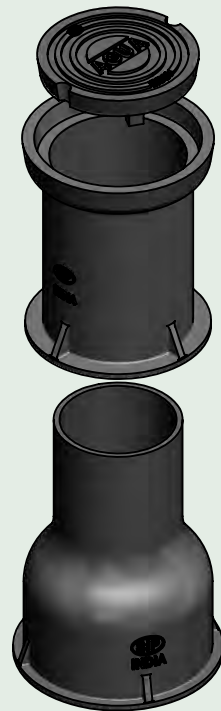
Dimensions : All are in Inch

PUERTO-RICO VALVE BOX STD.

ITEM # : PR 7500



ITEM #	DESCRIPTION
PR7500	PR VALVE BOX STD
PR7501	PR VBX STD BOTTOM ONLY
PR7502	PR VBX STD LID ONLY
PR7503	PR VBX STD TOP ONLY

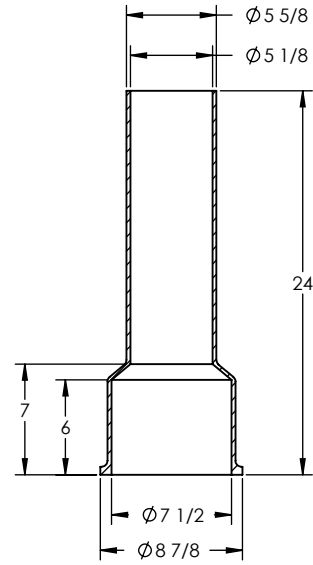
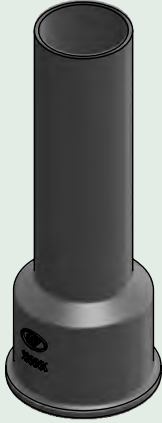


Material : Cast Iron, ASTM A48 Class 30B

Dimensions : All are in Inch

ITEM # : 7100B24

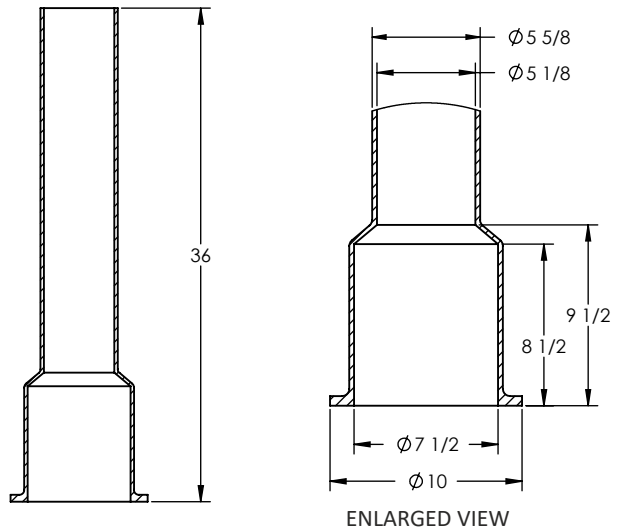
24" VALVE BOX BELL EQ. #940



Material : Cast Iron, ASTM A48, Class 30B
Dimensions : All are in Inch

ITEM # : 7100B36

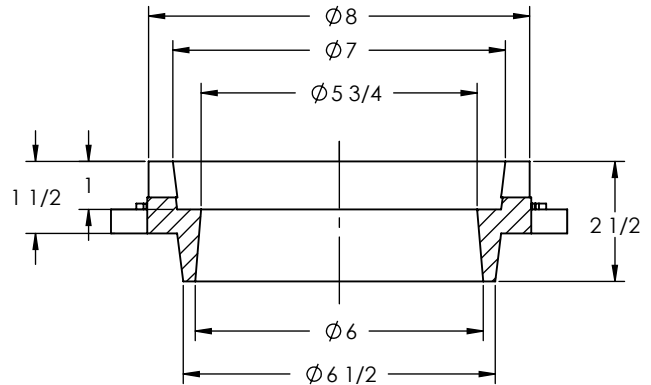
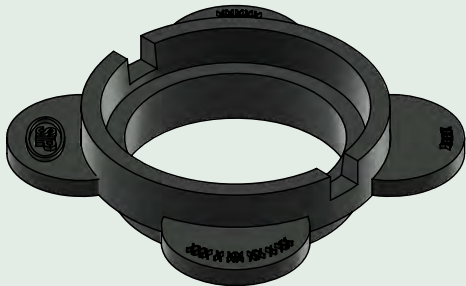
36" VALVE BOX BELL EQ. #940



Material : Cast Iron, ASTM A48, Class 30B
Dimensions : All are in Inch

ITEM # : 7100EXT1.5

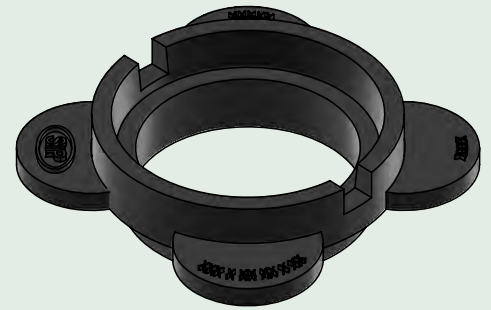
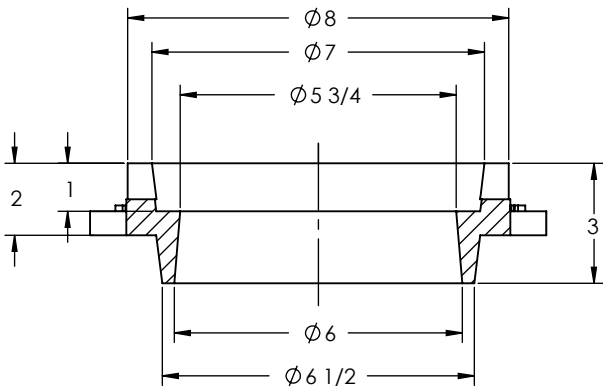
1 1/2" VALVE BOX RISER FOR EQ. #940



Material : Cast Iron, ASTM A48, Class 30B
Dimensions : All are in Inch

2" VALVE BOX RISER FOR EQ. #940

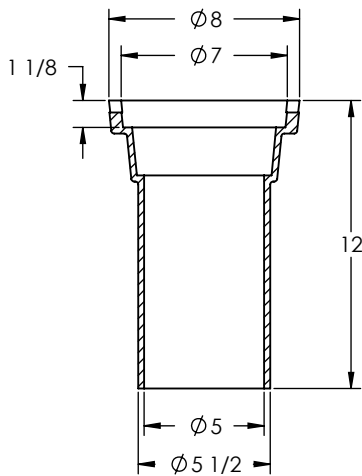
ITEM # : 7100EXT2



Material : Cast Iron, ASTM A48 Class 30B
 Dimensions : All are in Inch

12" VALVE BOX RISER FOR EQ. #940

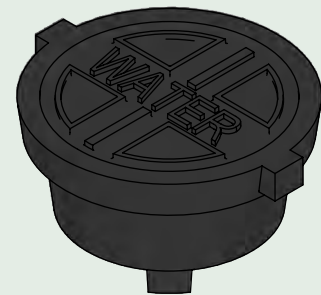
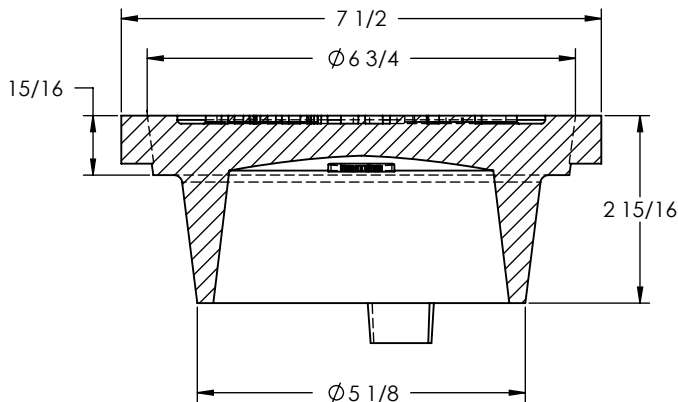
ITEM # : 7100EXT12



Material : Cast Iron, ASTM A48, Class 30B
 Dimensions : All are in Inch

VALVE BOX WATER LID DEEP SKIRT EQ. #940

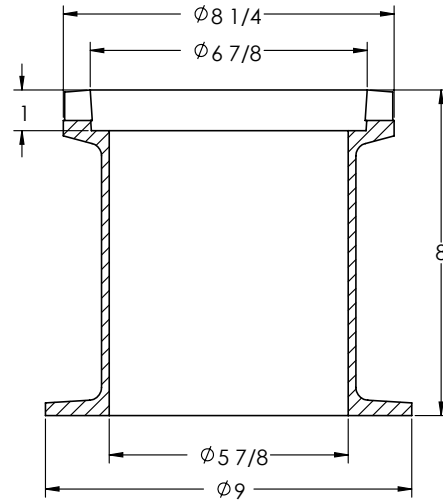
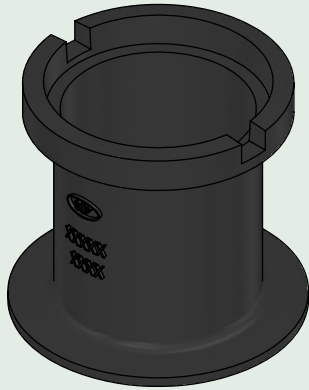
ITEM # : 7100LWDS



Material : Cast Iron, ASTM A48, Class 30B
 Dimensions : All are in Inch

ITEM # : 7100T08

8" VALVE BOX TOP EQ. #940

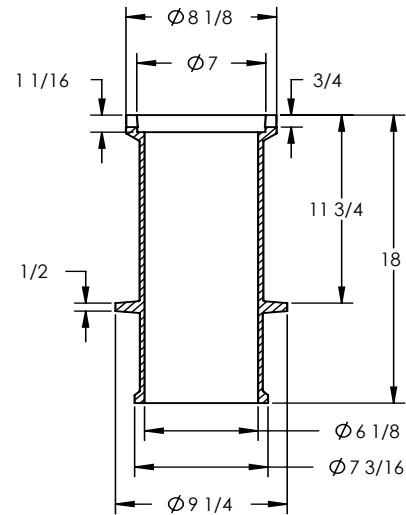
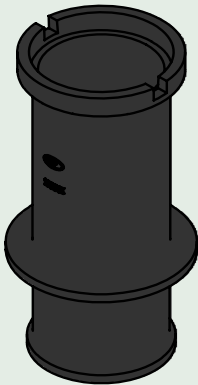


Material : Cast Iron, ASTM A48, Class 30B

Dimensions : All are in Inch

ITEM # : 7100T18

18" VALVE BOX TOP EQ. #940

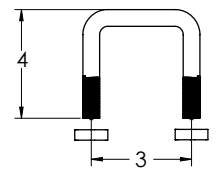
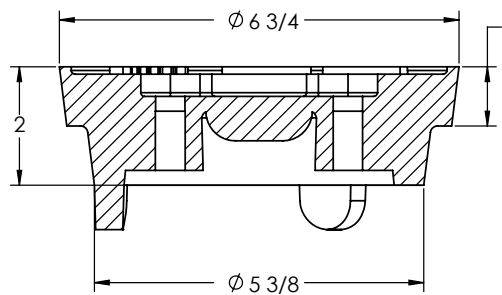


Material : Cast Iron, ASTM A48, Class 30B

Dimensions : All are in Inch

ITEM # : 7101LW

VALVE BOX WATER LID EQ. #045



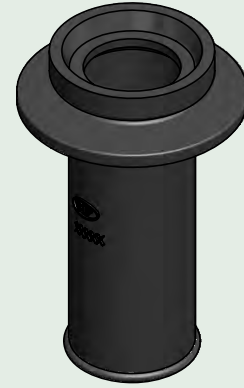
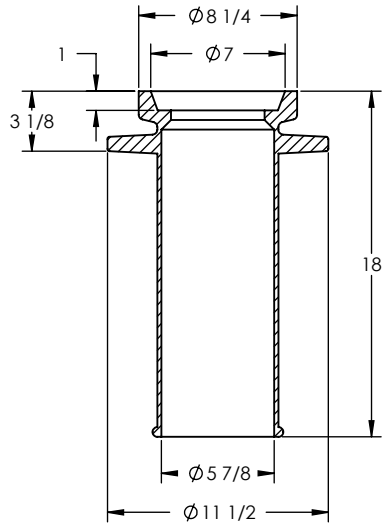
DROP HANDLE W/ NUT

Material : Cast Iron, ASTM A48, Class 30B

Dimensions : All are in Inch

18" VALVE BOX TOP EQ. #045

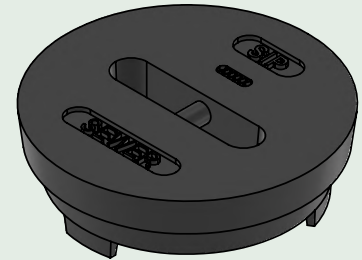
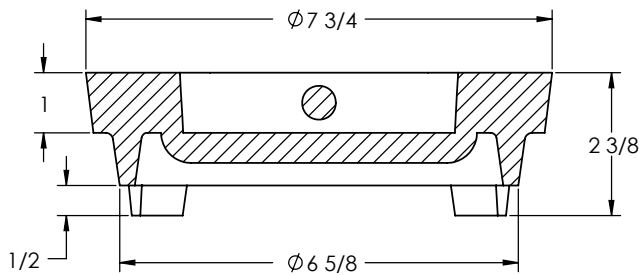
ITEM # : 7101T18



Material : Cast Iron, ASTM A48 Class 35B
Dimensions : All are in Inch

VALVE BOX SEWER LID EQ. #910

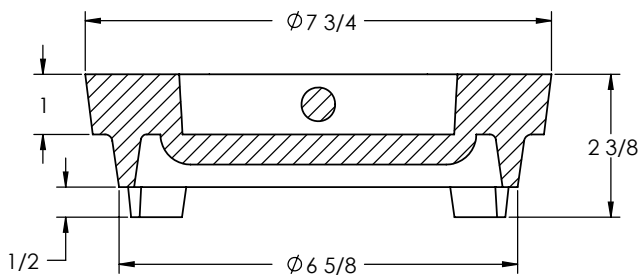
ITEM # : 7102LS



Material : Cast Iron, ASTM A48, Class 30B
Dimensions : All are in Inch

VALVE BOX WATER LID EQ. #910

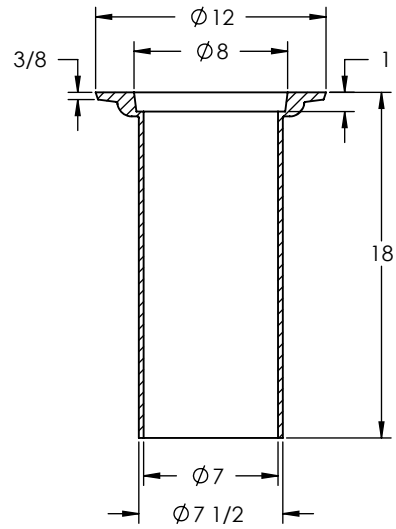
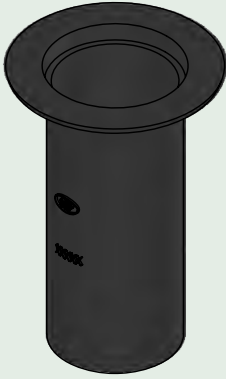
ITEM # : 7102LW



Material : Cast Iron, ASTM A48, Class 30B
Dimensions : All are in Inch

ITEM # : 7102T18

18" VALVE BOX TOP EQ. #910

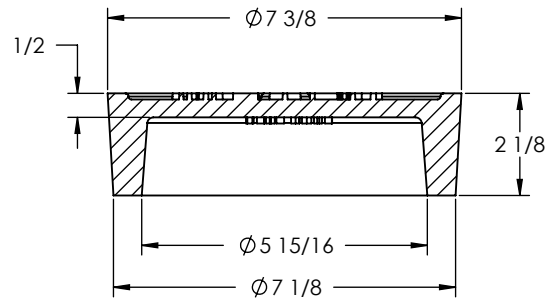
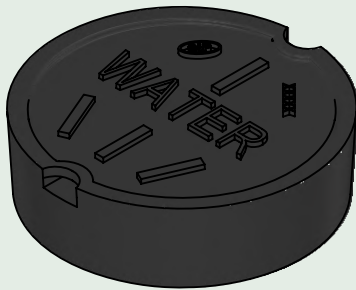


Material : Cast Iron, ASTM A48, Class 30B

Dimensions : All are in Inch

ITEM # : 7103LW

VALVE BOX WATER LID DI EQ. #931

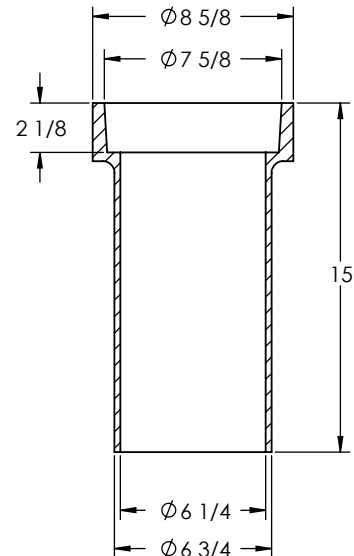


Material : Cast Iron, ASTM A48, Class 30B

Dimensions : All are in Inch

ITEM # : 7103T15

15" VALVE BOX TOP DI EQ. #931

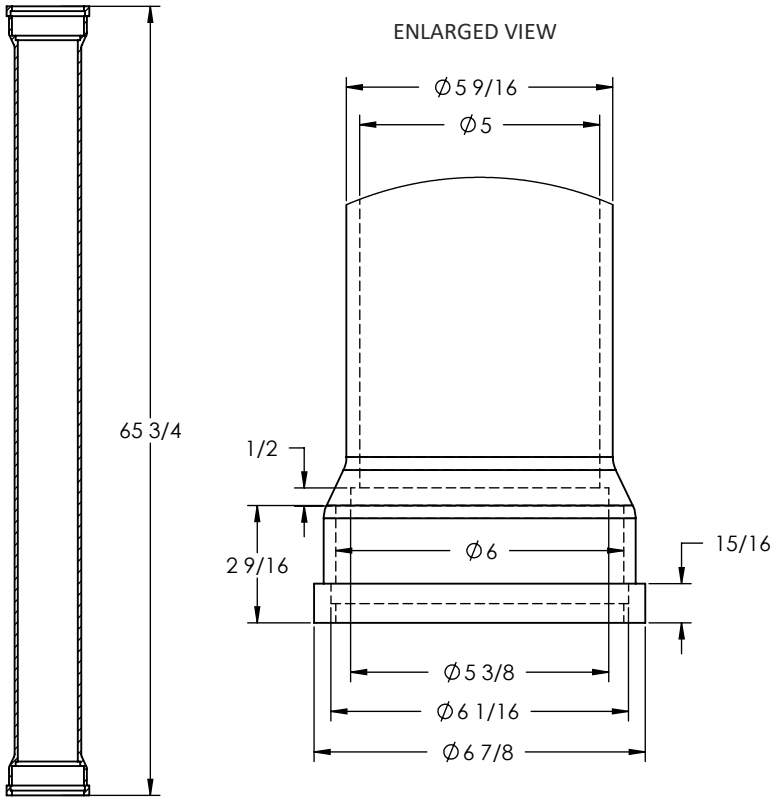


Material : Cast Iron, ASTM A48, Class 30B

Dimensions : All are in Inch

5'5" DOUBLE HUB

ITEM # : 7104DH

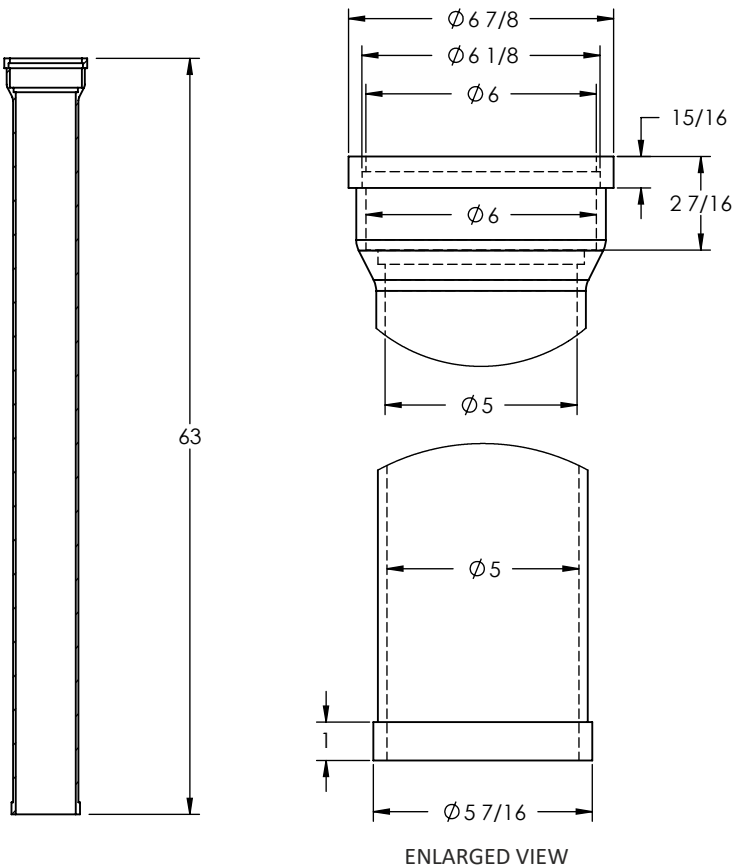


Material : Cast Iron, ASTM A48 Class 30B

Dimensions : All are in Inch

5'5" SINGLE HUB

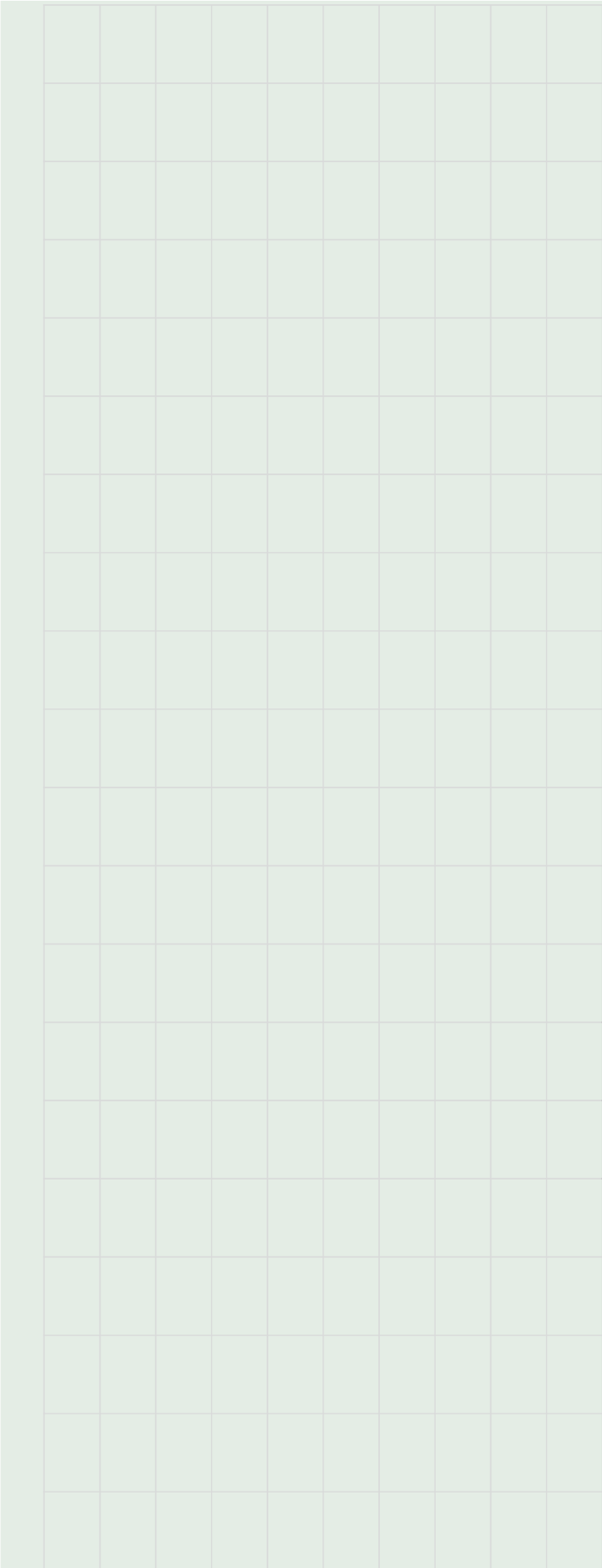
ITEM # : 7104SH



Material : Cast Iron, ASTM A48 Class 30B

Dimensions : All are in Inch

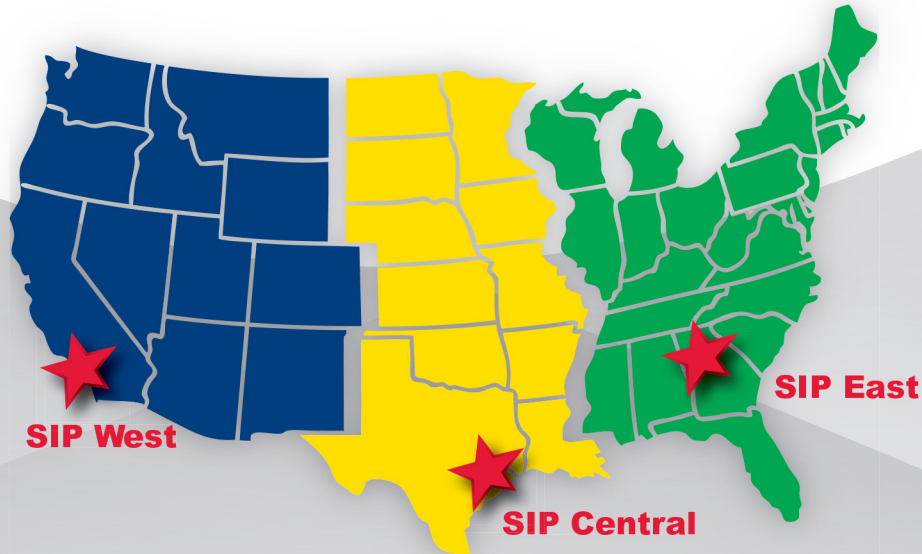
GENERAL NOTES



SIP Industries

Quality Manufacturers Since 1960



PRODUCT LINE

AWWA DI Fittings & Accessories

- C153 Compact MJ Fittings and Acc. 2" - 64"
- C110 Full Body MJ Fittings 2" - 64"
- C153 Trim Tyton® Push-On Fittings 4" - 24"
- C110 Flange Fittings 2" - 64"
- MJ x MJ Adapter for Connecting MJ Bells 3" - 24"
- Stainless Steel & Blue T-Bolts
- Made in India, China & Mexico
- Bare, Cement, Zinc, FBE & Other Linings

Joint Restraint System

- EZD Joint Restraint for DI Pipe 3" - 48"
- EZDTP Joint Restraint Tandem for DI Pipe 3" - 48"
- EZDPTP Joint Restraint for Push-On Joints DI Pipe 3" - 48"
- Ductile Iron Retainer Glands 3" - 30"
- FAR / FAH Flange Adapter for DI Pipe 3" - 48"
- EZFA Restrained Flange Adapter for DI and PVC Pipe 3" - 36"
- EZPVC Joint Restraint for PVC Pipe 3" - 36"
- ULTRA Joint Restraint for PVC Pipe 4" - 12"
- EZPVCPTP Joint Restraint for Push-On Joints PVC Pipe 14" - 36"
- PTPVC Pipe to Pipe Restraint 4" - 48"
- PTPDF Pipe to MJ Fittings Restraint 4" - 48"
- PTPFC Pipe to PVC Fittings Restraint 4" - 12"
- Made in China & USA
- EZ Shield or Shop Coating

Municipal Construction Castings

- Manhole Rings and Cover
- Frames and Grates
- Valve Boxes and Service Boxes
- Water Meter Covers and Boxes
- Cleanout and Monument Boxes
- Detectable Warning Plates
- Extension Rings
- Trench Grates and Tree Grates
- Made in India & USA

Fabrication Products for DI Pipe

- High Hub Flanges Class 150 and 250. 3" - 64"
- Threaded Bell Flanges 3" - 48"
- Anchor Flanges 3" - 60"
- Filler Flanges 4" - 30"

Other Products and Services

- All Thread Rod
- Pipe Lube and Hydraulic Cement
- Socket Clamps and Lugs
- Flange Packs
- OEM Castings



SIP CORPORATE 8876 Gulf Freeway, Suite 500, Houston, TX 77017

SIP CENTRAL 2900 Patio Drive, Houston, TX 77017

SIP EAST 600 Rayloc Drive, Atlanta, GA 30336

SIP WEST 8333 Almeria Avenue, Fontana, CA 92335

Phone: 877-921-6111 or 713-923-6111 | Fax: 713-923-6114 | www.sipindustries.com | sales@sipindustries.com