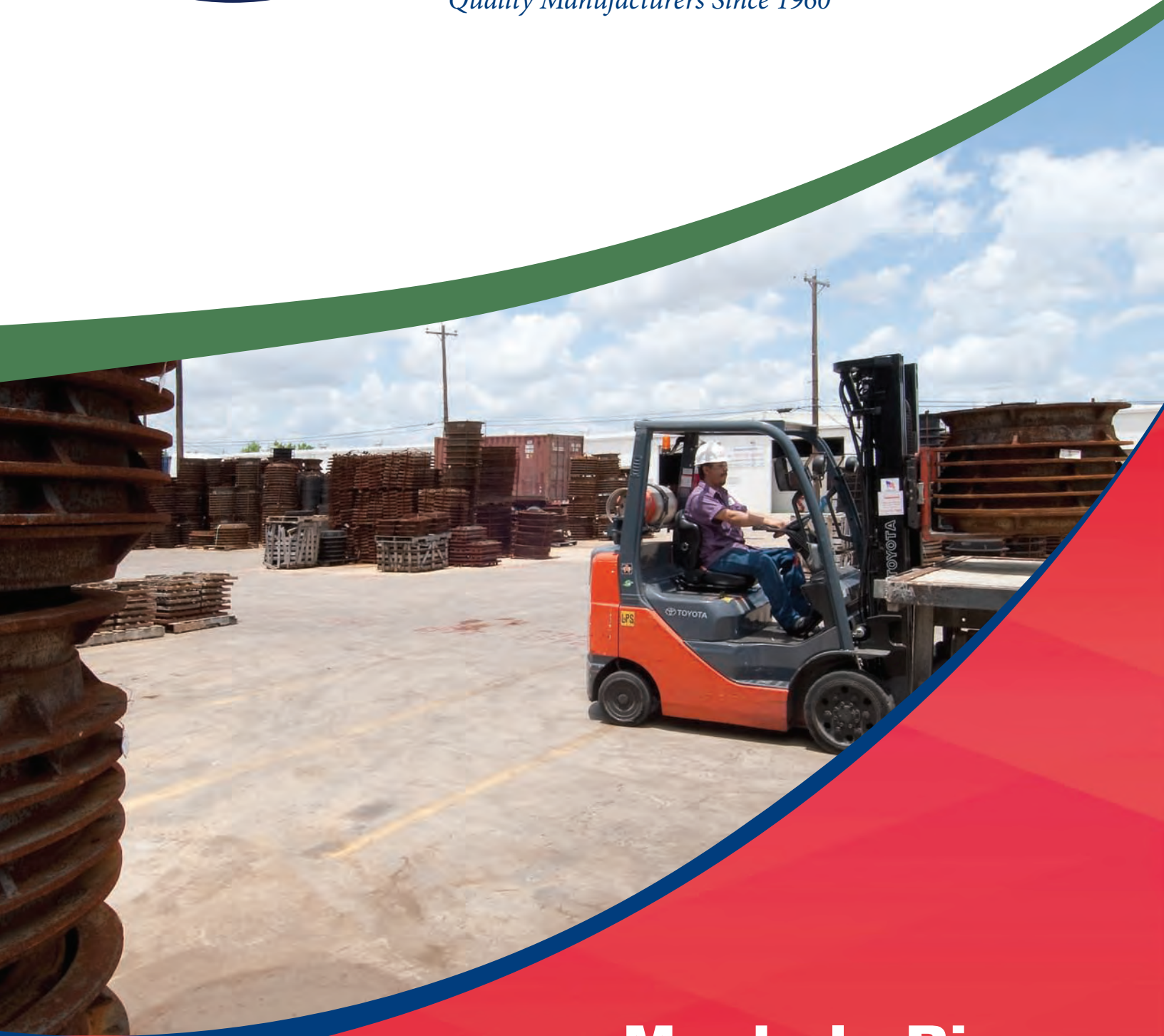




SIP Industries

Quality Manufacturers Since 1960



Manhole Ring, Cover & Grates



SIP INDUSTRIES
SERAMPORE
SINCE 1960

www.sipindustries.com

Toll Free 877-921-6111

V 0524-01

TABLE OF CONTENTS

| ITEM# | DESCRIPTION | PAGE# |
|-----------------|--|--------------|
| 2100NV - 2116 | 23 1/2" COH RING & COVER (CL35) | Page : MC 5 |
| 2104 - 2136 | 23 1/2" STANDARD RING, COVER & GRATE | Page : MC 5 |
| 2105 | 23 1/2" WATER TIGHT SANITARY SEWER RING & COVER | Page : MB 6 |
| 2112 - 2119 | 23 1/2" TOP FLANGE / REVERSIBLE RING & COVER | Page : MC 6 |
| 2137 - 2292C | 23 1/2" MANHOLE LOGO COVER | Page : MC 7 |
| 2150 | 20" ROUND COVER & L FRAME | Page : MC 7 |
| 2203 - 2219 | 32" COH RING & COVER | Page : MC 8 |
| 2204 - 2226 | 32" STANDARD MANHOLE RING, COVER & GRATE | Page : MC 8 |
| 2207 - 2208 | 32" TOP FLANGE / REVERSIBLE RING ONLY | Page : MC 9 |
| 2211 | 32" WATER TIGHT SANITARY SEWER RING & COVER | Page : MC 9 |
| 2233CN - 2262 | 32" MANHOLE LOGO COVERS | Page : MC 10 |
| 2275PC - 2275R | RING & COVERS | Page : MC 10 |
| 2279ST | 24" CITY OF FORT WORTH STORM DRAIN RING & COVER | Page : MC 11 |
| 2280 - 2280ST | 32" CITY OF FORT WORTH RING & COVER | Page : MC 11 |
| 2281 | 32" CITY OF PATTON VLG SANITARY SEWER WT RING & COVER | Page : MC 11 |
| 2281HD | 32" CITY OF PATTON VLG SANITARY SEWER WT RING & COVER HD | Page : MC 12 |
| 2282C | 32" CITY OF MIDLAND SANITARY SEWER COVER ONLY DI | Page : MC 12 |
| 2283 | 32" CITY OF FRISCO SANITARY SEWER RING & COVER | Page : MC 12 |
| 2283STM | 32" BASS LOGO STORM SEWER REVERSIBLE RING & COVER | Page : MC 13 |
| 2283WT | 32" CITY OF FRISCO SANITARY SEWER RING & COVER WT | Page : MC 13 |
| 2284C - 2291STC | 32" MANHOLE LOGO COVERS | Page : MC 13 |
| 2285S4/2285S6 | STORM DRAIN INLET FRAME & COVER | Page : MC 14 |
| 2287S4/2287S6 | CITY OF LEANDER INLET FRAME & COVER | Page : MC 14 |
| 2288S4/2288S6 | CITY OF HUTTO INLET FRAME & COVER | Page : MC 15 |
| 2289 - 2290 | 32" CITY OF HUTTO RING & COVER NON-BOLTED | Page : MC 15 |
| 2289B - 2290B | 32" CITY OF HUTTO RING & COVER BOLTED | Page : MC 16 |
| 2294 | 24" FRISCO STORM SEWER RING & COVER | Page : MC 16 |
| 2295 | 19" BASS LOGO STORM DRAIN INLET FRAME & COVER | Page : MC 17 |
| 2296 | FORT WORTH STORM DRAIN INLET FRAME & COVER | Page : MC 17 |
| 2300 - 2301 | 17" SAMPLE WELL LOGO COVERS | Page : MC 17 |
| 2310 - 2321DI | SAMPLE WELL RING & COVER | Page : MC 18 |
| 2330 - 2332 | PARK INTERCEPTOR RING & COVER | Page : MC 18 |

Contd.....

TABLE OF CONTENTS

| <u>ITEM#</u> | <u>DESCRIPTION</u> | <u>PAGE#</u> |
|----------------|---|--------------|
| 2340 - 2344 | EQ. TYPE - C RING & COVER | Page : MC 18 |
| 2350 | EQ. V7048 MH 60" RING & OUTER COVER | Page : MC 19 |
| 2351 | EQ. V7048 MH WATER TIGHT 60" RING & OUTER COVER | Page : MC 20 |
| 2481 | 18" PLAIN COVER & REVERSIBLE RING | Page : MC 21 |
| 2482 - 2482S | 24" COVER & REVERSIBLE RING | Page : MC 21 |
| 2490 | 25 3/4" RING & COVER | Page : MC 22 |
| 3500 | A2 BOSTON MANHOLE RING & COVER | Page : MC 22 |
| 4010 - 4019 | 19" EQ M53 INLET RING & COVER | Page : MC 23 |
| 4020 | EQ B1200 RING & COVER | Page : MC 23 |
| 4045 - 4097 | 32" WATER TIGHT RING & COVER | Page : MC 24 |
| 4046 - 4093 | 32" RING & COVER | Page : MC 25 |
| 4251 - 4263 | STORM DRAIN RING & COVER | Page : MC 25 |
| 4264 - 4271 | SAN ANTONIO WATER TIGHT RING & COVER | Page : MC 26 |
| 4266 - 4269 | 32" SAWS WATER TIGHT RING & COVER | Page : MC 26 |
| 4273 - 4274 | CITY OF LAREDO SANITARY RING & COVER | Page : MC 27 |
| 4275 - 4276 | CITY OF McALLEN RING & COVER | Page : MC 27 |
| 4278 | CITY OF HARLINGEN SANITARY SEWER RING & COVER | Page : MC 27 |
| 4280 - 4281 | CITY OF CORPUS CHRISTI RING & COVER | Page : MC 28 |
| 4282 - 4283 | CITY OF CORPUS CHRISTI LARGE RING & COVER w/INNER COVER | Page : MC 28 |
| 4288 | CITY OF CORPUS CHRISTI SIDE WALK RING & GRATE | Page : MC 29 |
| 4289 | CITY OF CORPUS CHRISTI R & C STORM (CITY LOGO) | Page : MC 29 |
| 4310 - 4315 | EQ. V1121 - 400-24 RING & COVER | Page : MC 29 |
| 4320 - 4327 | 32" SANITARY SEWER RING & COVER | Page : MC 30 |
| 4330 - 4370 | EQ 300 - 23.75 RING & COVER | Page : MC 30 |
| 4380 | EQ. 226L RING & LID | Page : MC 31 |
| 4410 - 4420 | EL PASO WATER UTILITIES PSB RING & COVER | Page : MC 31 |
| 4430 | CITY OF EL PASO STORM RING & COVER | Page : MC 31 |
| 4448 | EL PASO MANHOLE RING & GRATE | Page : MC 32 |
| 4470N | 30" EL PASO WATER UTILITIES RING & COVER | Page : MC 32 |
| 4500 | 23 3/4" ALBUQUERQUE NEW MEXICO RING & COVER | Page : MC 33 |
| 4550 - 4550STM | 26" RING & COVER EQ. 1642 | Page : MC 33 |
| 4551 | EQ. VM3 REGULAR RING & COVER | Page : MC 33 |

Contd.....

TABLE OF CONTENTS

| ITEM# | DESCRIPTION | PAGE# |
|--------------|---|--------------|
| 4553 | EQ. VM3 MODIFIED RING & COVER | Page : MC 34 |
| 4554D - 4556 | EQ. VM3 REVISED COVER & 23 1/2" RAISED RING | Page : MC 34 |
| 4555 | PLAIN RING & COVER | Page : MC 34 |
| 4557 - 4558 | EQ. VM17 RING & COVER | Page : MC 35 |
| 4570 | EQ. V1115 - MS SEWER RING & COVER | Page : MC 35 |
| 4575 | EQ. VM7 RING & COVER MH 2207 | Page : MC 35 |
| 4580 - 4582 | EQ. V1501 - LA FLARING RING & COVER | Page : MC 36 |
| 4590 | EQ. VM76 - MOBILE RING & SEWER COVER | Page : MC 36 |
| 5025 - 5026 | 24" CITY OF PHOENIX ARIZONA RING & COVER | Page : MC 37 |
| 5120 | CITY OF TULSA RING & COVER | Page : MC 37 |
| 5150 - 5161 | OKLAHOMA CITY RING & COVER | Page : MC 37 |
| 5200 | EQ 201 PLAIN 24" COVER 4.5" HIGH RING | Page : MC 38 |
| 5205 | EQ 202 PLAIN SLAB STYLE 22" COVER 4" HIGH RING | Page : MC 38 |
| 5206 - 5206P | 24 1/4" OMAHA SEWER RING & COVER | Page : MC 39 |
| 5210 | EQ 207 PLAIN 24" COVER & 9" HIGH RING | Page : MC 39 |
| 5215 | EQ 208 CITY OF BELTON 23 1/4" COVER 10" HIGH RING | Page : MC 40 |
| 5220 - 5225 | WICHITA KANSAS SEWER DEPT. RING & COVER | Page : MC 40 |
| 5300 - 5305 | NON -TRAFFIC FRAME & GRATE, TENNESSEE | Page : MC 40 |
| 5330 - 5335 | NASHVILLE RING & COVER | Page : MC 41 |
| 5340 | CITY OF MEMPHIS TN. SEWER #7 | Page : MC 41 |
| 5400 | SD2 24" CITY OF LAS VEGAS RING & COVER | Page : MC 42 |
| 5600 - 5604 | #41 BOTTOM FLANGE RING, COVER & GRATE | Page : MC 42 |
| 5717 | 15 1/4" ASHEVILLE RING & LID | Page : MC 43 |
| 5730 | 15 3/8" ASHEVILLE RING & LID | Page : MC 43 |
| 5801 - 5806 | EQ 250-24 SANITARY SEWER RING & COVER | Page : MC 43 |
| 5807 | 24" LITTLE ROCK RING & COVER | Page : MC 44 |
| 5898 - 5899 | EQ 125-24 C109 RING & COVER | Page : MC 44 |
| 5908 | EQ 300-24 SEWER WATER TIGHT RING & COVER | Page : MC 44 |
| 5900 - 5911 | EQ 300-24 MANHOLE RING & COVER | Page : MC 45 |
| 5995 - 5996 | EQ RCR 2001- RING & COVER | Page : MC 45 |
| 6530 - 6531 | EQ. NF6461 - WATER TIGHT CAST IRON RING & COVER | Page : MC 46 |
| 6533 | EQ. NF1916A - 12" DIA. WATER TIGHT RING & COVER. | Page : MC 46 |

Contd.....

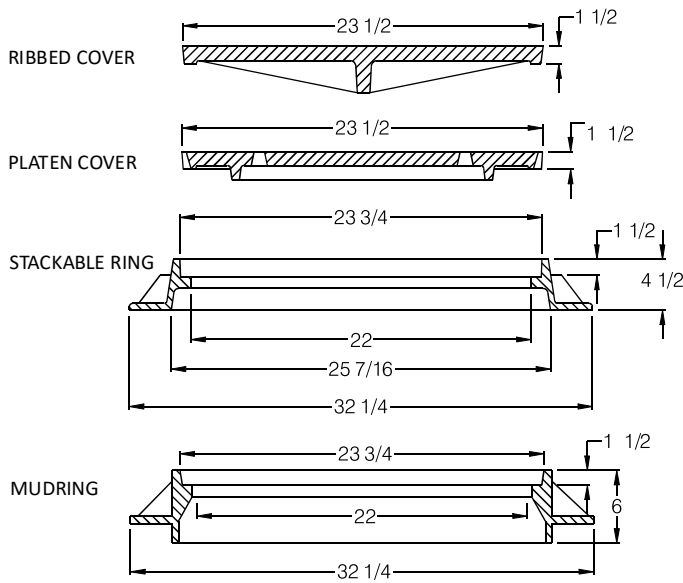
TABLE OF CONTENTS

| ITEM# | DESCRIPTION | PAGE# |
|-----------------|---|--------------|
| 6534 | 12" RING & COVER | Page : MC 46 |
| 6910 - 6910V | EQ. 1259 RING & COVER | Page : MC 47 |
| 7000 - 7004 | 30 B MANHOLE RING & COVER | Page : MC 47 |
| 7204D-L | 24" X 6" DRAIN LOCKING RING & COVER EQ. MH30A | Page : MC 48 |
| 7204SWR-L | 24" X 6" SEWER LOCKING RING & COVER EQ. MH30A | Page : MC 48 |
| 7204V-L | 24" X 6" SEWER LOCKING RING & COVER W/ VENT HOLES EQ. MH30A | Page : MC 48 |
| 7402 | 22" X 4" FLANGE UP RING ONLY | Page : MC 49 |
| 7404 | 22" X 4" FLANGE DOWN RING & COVER EQ. MH19 | Page : MC 49 |
| CN 5500 - 5505 | EQ. 401.01 - CANADA CI RING & DANGER/ OPEN COVER | Page : MC 50 |
| CN 5530 | EQ. 401.03 - CANADA CI WATER TIGHT MANHOLE FRAME & COVER | Page : MC 50 |
| PA 7515 - 7525 | 23 3/4" PANAMA RING & COVER | Page : MC 51 |
| PA 7530 - 7535 | 22 7/8" PANAMA RING & COVER | Page : MC 51 |
| PR 7510 - 7520 | PUERTO RICO MH PRASA RING & COVER | Page : MC 52 |
| PR 7515 - 7525 | PUERTO RICO MH PRASA RING & COVER WATER TIGHT | Page : MC 52 |
| PR 7535 | PUERTO RICO 32" PREP A RING & COVER | Page : MC 52 |
| PR 7540 | PUERTO RICO 44" AEE DOUBLE COVER & RING | Page : MC 53 |
| PR 7545 | PUERTO RICO 29" RING & TELEPHONE COVER | Page : MC 53 |
| USF 6909 - 6910 | EQ. 1259BP RING & COVER | Page : MC 54 |
| USF 6937 - 6941 | 669 RING & KI COVER A4693 | Page : MC 54 |
| USF 6953 - 6957 | 250 RING & DB COVER W/ VENT HOLE A4697 | Page : MC 54 |

- All dimensions are in inches unless noted otherwise.
- All weights are approximate in pounds unless noted otherwise.

23 1/2" COH RING & COVER (CL35)

ITEM # : 2100NV - 2116



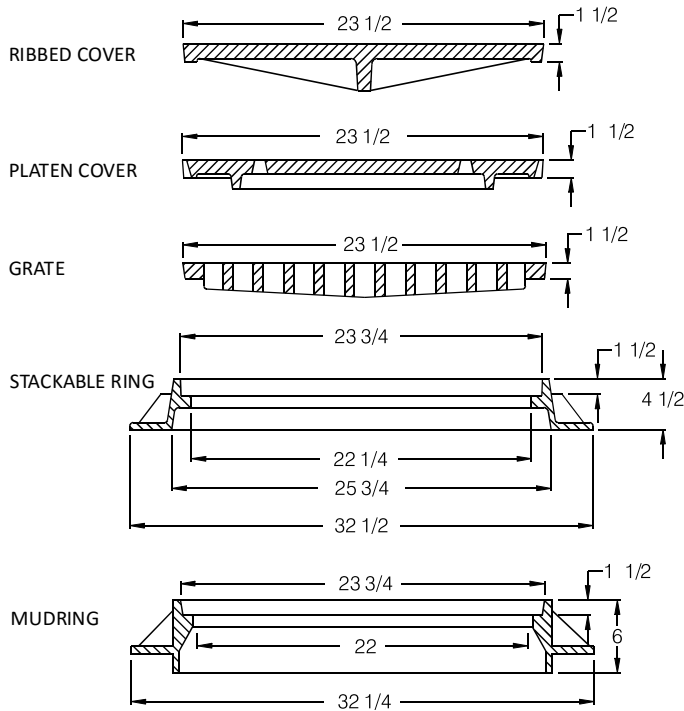
| ITEM # | DESCRIPTION |
|--------|--|
| 2100NV | EQ. VM18 HD COH SANITARY RING & COVER NON-VENTED |
| 2101NV | EQ. VM18 HD COH SANITARY COVER ONLY NON-VENTED |
| 2102 | EQ. VM18 HD COH STORM RING & COVER |
| 2103 | EQ. VM18 HD COH STORM COVER ONLY |
| 2113 | EQ. VM18 COH STORM RING & COVER |
| 2114 | (LOGO) EQ. VM18 COH STORM COVER ONLY |
| 2115 | (LOGO) EQ. VM18 COH RING ONLY |
| 2116 | EQ. VM18 COH SANITARY RING AND COVER |



Load Rating : Heavy Duty (AASHTO M306)
 Material : Cast Iron, ASTM A48 Class 35B
 Dimensions : All are in Inch

23 1/2" STANDARD RING, COVER & GRATE

ITEM # : 2104 - 2136



| GRATE | SLOT | OPEN AREA | FLOW RATE |
|----------|---------------------------|----------------|----------------------------|
| Standard | 9 3/4" X 1 1/8" - 4 Nos. | 169.08 sq. in. | 4.46 ft ³ /sec. |
| | 9 5/16" X 1 1/8" - 4 Nos. | | |
| | 8 1/2" X 1 1/8" - 4 Nos. | | |
| | 6 3/4" X 1 1/8" - 4 Nos. | | |
| | 3 1/2" X 1" - 4 Nos. | | |

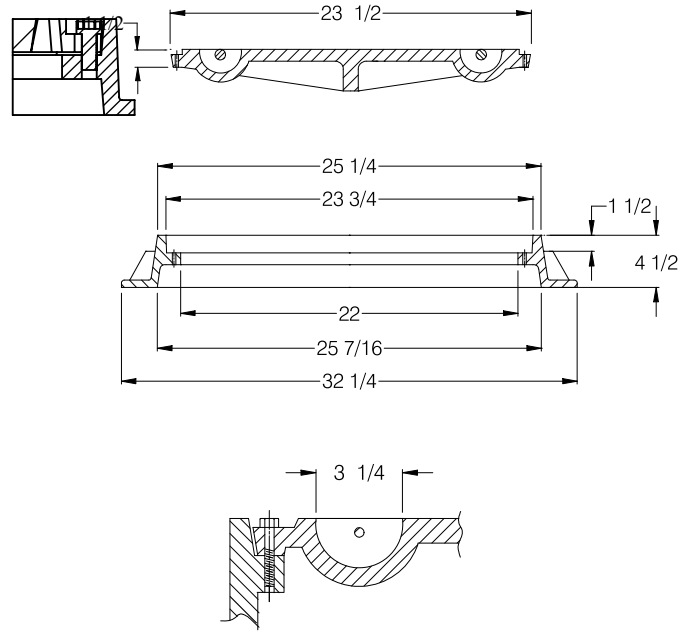
*Open Area & Flow Rate Values are Approximate.

Load Rating : Heavy Duty (AASHTO M306)
 Material : Cast Iron, ASTM A48 Class 35B
 Dimensions : All are in Inch

| ITEM # | DESCRIPTION | ITEM # | DESCRIPTION |
|--------|---|--------|-------------------------------|
| 2104 | EQ. VM18 RING & GRATE | 2133 | EQ. VM18 STORM COVER ONLY |
| 2108 | EQ. VM18 GRATE ONLY (23 1/2") | 2134 | EQ. VM18 SEWER RING & COVER |
| 2130NV | EQ. VM18 SANITARY RING & COVER NON-VENTED | 2135 | EQ. VM18 SEWER COVER ONLY |
| 2131NV | EQ. VM18 SANITARY COVER ONLY NON-VENTED | 2136 | EQ. VM18 RING ONLY (MUD TYPE) |
| 2132 | EQ. VM18 STORM RING & COVER | | |

ITEM # : 2105

23 1/2" WATER TIGHT SANITARY SEWER RING & COVER

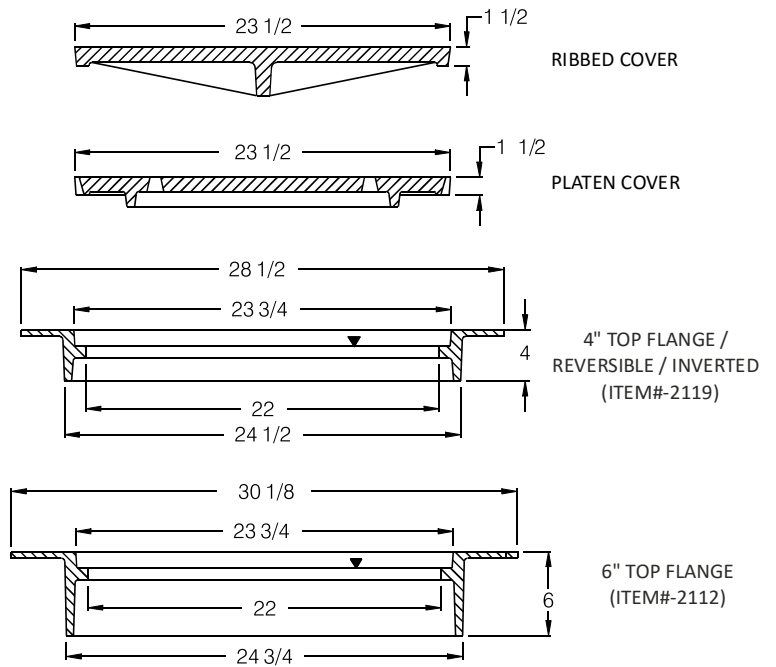


Load Rating : Heavy Duty (H-20/HS-20)
Material : Cast Iron, ASTM A48 Class 35B
Dimensions : All are in Inch

| ITEM# | DESCRIPTION |
|-------|--|
| 2105 | EQ. VM18 SANITARY SEWER RING & COVER W.T. |
| 2105C | EQ. VM18 E-14 SANITARY SEWER COVER ONLY W.T. |
| 2105R | EQ. VM18 E-14 WATER TIGHT RING ONLY |

ITEM # : 2112 - 2119

23 1/2" TOP FLANGE / REVERSIBLE RING & COVER

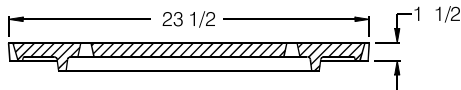


Load Rating : Heavy Duty (H-20/HS-20)
Material : Cast Iron, ASTM A48 Class 30B/35B
Dimensions : All are in Inch

| ITEM # | DESCRIPTION |
|--------|---|
| 2112 | EQ. VM18 TOP FLANGE RING ONLY |
| 2117 | EQ. VM18 REVERSIBLE RING & SEWER COVER |
| 2118 | EQ. VM18 REVERSIBLE RING & COH STORM COVER (CL35) |
| 2119 | EQ. VM18 REVERSIBLE RING ONLY |

23 1/2" MANHOLE LOGO COVER

ITEM # : 2137 - 2292C

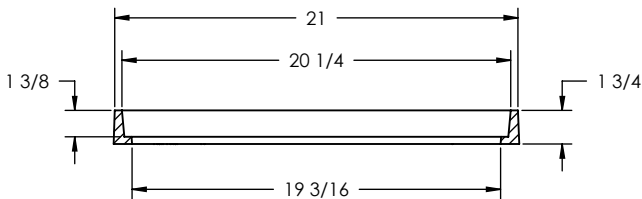
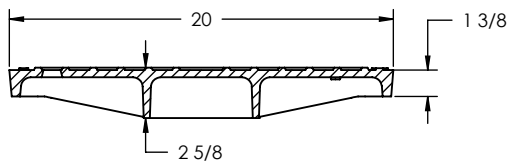


| ITEM.# | DESCRIPTION |
|--------|--|
| 2137 | EQ. VM18 CITY OF SUGARLAND STORM COVER ONLY |
| 2138 | EQ. VM18 CITY OF BEAUMONT STORM COVER ONLY |
| 2141 | EQ. VM18 HARRIS COUNTY COVER ONLY |
| 2237CN | EQ. VM18 CITY OF MISSOURI STORM SEWER COVER ONLY |
| 2260 | EQ. VM18 CITY OF ALVIN SANITARY SEWER COVER ONLY |
| 2292C | EQ. VM18 CITY OF LA PORTE STORM SEWER COVER ONLY |

Load Rating : Heavy Duty (AASHTO M306)
 Material : Cast Iron, ASTM A48 Class 35B
 Dimensions : All are in Inch

20" ROUND COVER & L FRAME

ITEM # : 2150

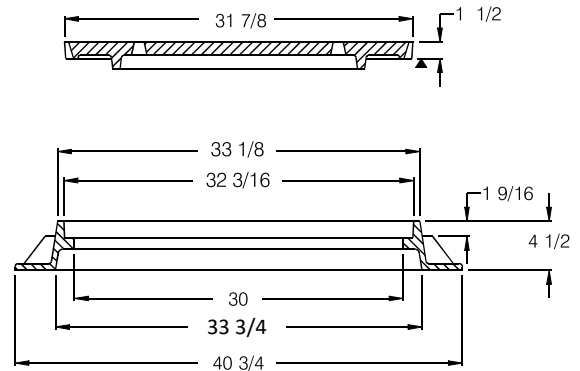


| ITEM.# | DESCRIPTION |
|--------|---------------------------|
| 2150 | 20" ROUND COVER & L FRAME |
| 2150C | 20" ROUND COVER ONLY |
| 2150R | 20" ROUND L FRAME ONLY |

Load Rating : Non-Traffic (Sidewalks, terraces)
 Material : Cast Iron, ASTM A48 Class 35B
 Dimensions : All are in Inch

ITEM # : 2203 - 2219

32" COH RING & COVER

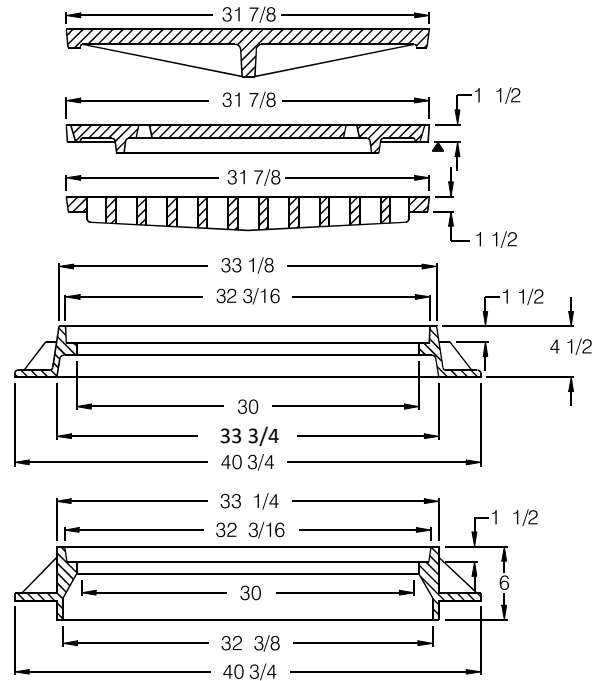
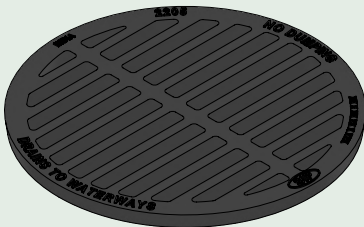


Load Rating : Heavy Duty (AASHTO M306)
Material : Cast Iron, ASTM A48 Class 35B
Dimensions : All are in Inch

| ITEM # | DESCRIPTION |
|--------|---|
| 2203 | EQ. VM19 COH STORM COVER ONLY |
| 2214NV | EQ. VM19 COH SANITARY RING & COVER NON-VENTED |
| 2215NV | EQ. VM19 COH SANITARY COVER ONLY NON-VENTED |
| 2217 | EQ. VM19 COH STORM RING & COVER (LOGO) |
| 2218 | EQ. VM19 COH STORM COVER ONLY (LOGO) |
| 2219 | EQ. VM19 COH RING ONLY |

ITEM # : 2204 - 2226

32" STANDARD MANHOLE RING, COVER & GRATE



| GRATE | SLOT | OPEN AREA | FLOW RATE |
|----------|----------------------------|----------------|----------------------------|
| Standard | 13 1/8" X 1 5/8" - 2 Nos. | 347.95 sq. in. | 9.18 ft ³ /sec. |
| | 12 7/8" X 1 5/8" - 4 Nos. | | |
| | 12 1/16" X 1 5/8" - 4 Nos. | | |
| | 10 9/16" X 1 5/8" - 4 Nos. | | |
| | 7 15/16" X 1 5/8" - 4 Nos. | | |
| | 4" X 1 3/8" - 4 Nos. | | |

*Open Area & Flow Rate Values are Approximate.

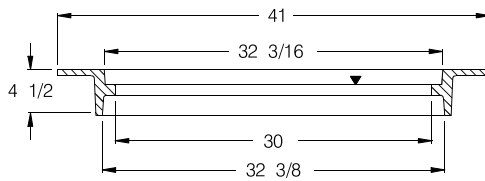
Load Rating : Heavy Duty (AASHTO M306)
Material : Cast Iron, ASTM A48 Class 35B
Dimensions : All are in Inch

| ITEM # | DESCRIPTION | ITEM # | DESCRIPTION |
|--------|---|--------|-------------------------------|
| 2204 | EQ. VM19 RING & GRATE | 2223 | EQ. VM19 STORM COVER ONLY |
| 2205 | EQ. VM19 GRATE ONLY (32") | 2224 | EQ. VM19 SEWER RING & COVER |
| 2220NV | EQ. VM19 SANITARY RING & COVER NON-VENTED | 2225 | EQ. VM19 SEWER COVER ONLY |
| 2221NV | EQ. VM19 SANITARY COVER ONLY NON-VENTED | 2226 | EQ. VM19 RING ONLY (MUD TYPE) |
| 2222 | EQ. VM19 STORM RING & COVER | | |

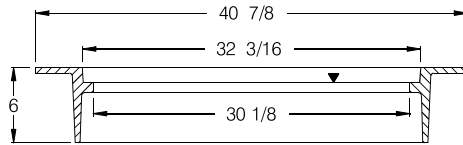
32" TOP FLANGE / REVERSIBLE RING ONLY

ITEM # : 2207 - 2208

4.5" TOP FLANGE /
REVERSIBLE / INVERTED
(ITEM#-2208)



6" TOP FLANGE
(ITEM#-2207)



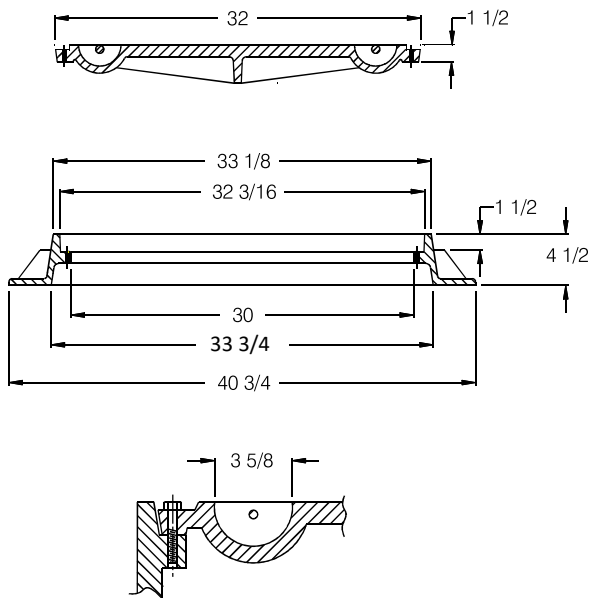
ITEM # DESCRIPTION

- 2207 EQ. VM19 TOP FLANGE RING ONLY
- 2208 EQ. VM19 TOP FLANGE RING ONLY 4.5" (REVERSIBLE)

Load Rating : Heavy Duty (H-20/HS-20)
Material : Cast Iron, ASTM A48 Class 30B/35B
Dimensions : All are in Inch

32" WATER TIGHT SANITARY SEWER RING & COVER

ITEM # : 2211



ITEM # DESCRIPTION

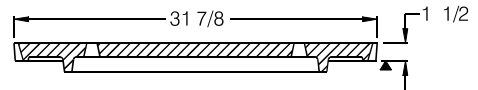
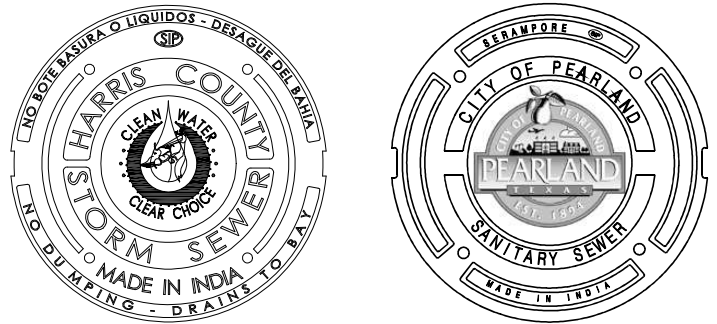
- 2211 EQ. VM19 SANITARY SEWER RING & COVER W.T.
- 2211C EQ. VM19 SANITARY SEWER COVER ONLY W.T.
- 2211R EQ. VM19 WATER TIGHT RING ONLY

Load Rating : Heavy Duty (AASHTO M306)
Material : Cast Iron, ASTM A48 Class 35B
Dimensions : All are in Inch

ITEM # : 2233CN - 2262 32" MANHOLE LOGO COVERS

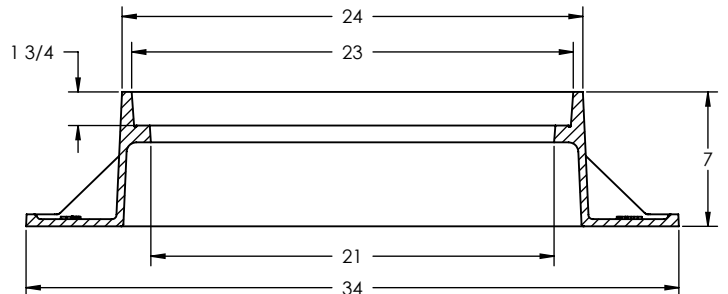
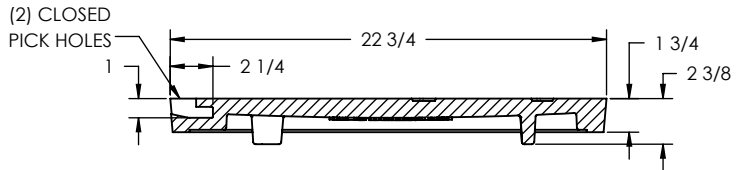


Load Rating : Heavy Duty (AASHTO M306)
Material : Cast Iron, ASTM A48 Class 35B
Dimensions : All are in Inch



| ITEM # | DESCRIPTION |
|--------|---|
| 2233CN | 32" CITY OF MISSOURI SANITARY SEWER COVER ONLY |
| 2235CN | 32" CITY OF MISSOURI STORM SEWER COVER ONLY |
| 2238 | 32" CITY OF KATY STORM COVER ONLY |
| 2239 | 32" CITY OF KATY SANITARY COVER ONLY |
| 2241C | 32" CLEAR LAKE CITY SANITARY SEWER COVER ONLY |
| 2243C | 32" CLEAR LAKE CITY STORM SEWER COVER ONLY |
| 2250C | 32" CITY OF SUGARLAND SANITARY SEWER COVER ONLY |
| 2252C | 32" CITY OF SUGARLAND STORM SEWER COVER ONLY |
| 2255C | 32" CITY OF PEARLAND SANITARY SEWER COVER ONLY |
| 2257C | 32" CITY OF PEARLAND STORM SEWER COVER ONLY |
| 2258C | 32" CITY OF RICHMOND SANITARY SEWER COVER ONLY |
| 2259C | 32" CITY OF RICHMOND STORM SEWER COVER ONLY |
| 2262C | 32" HARRIS COUNTY MANHOLE COVER ONLY |

ITEM # : 2275PC - 2275R RING & COVERS

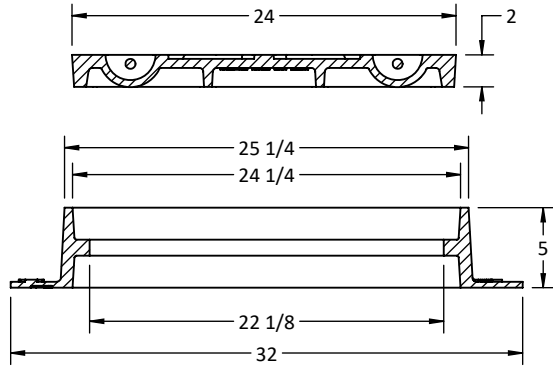


Load Rating : Heavy Duty (AASHTO M306)
Material : Cast Iron, ASTM A48 Class 35B
Dimensions : All are in Inch

| ITEM # | DESCRIPTION |
|---------|--------------------------------------|
| 2275PC | 23" PLAIN COVER ONLY |
| 2275SC | 23" SANITARY COVER ONLY EQ. 1020AGS |
| 2275STC | 23" STROM SEWER COVER ONLY EQ. 1020A |
| 2275R | 23" ROUND RING ONLY EQ. 1022Z1 |

24" CITY OF FORT WORTH STORM DRAIN RING & COVER

ITEM # : 2279ST

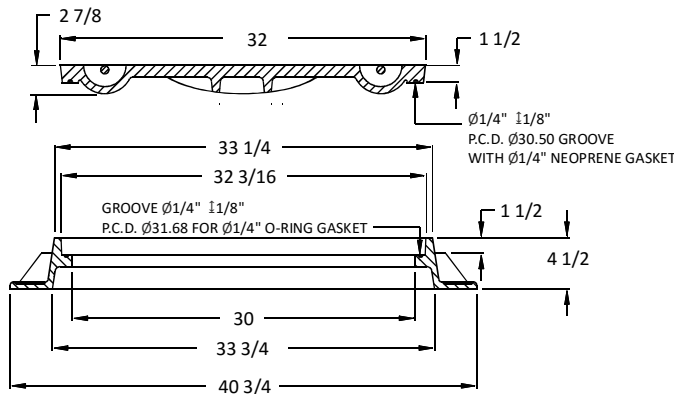


| ITEM # | DESCRIPTION |
|---------|---|
| 2279ST | 24" CITY OF FORT WORTH STORM DRAIN RING & COVER |
| 2279STC | 24" CITY OF FORT WORTH STORM DRAIN COVER ONLY |
| 5911 | 24" REVERSIBLE RING ONLY |

Load Rating : Heavy Duty (AASHTO M306)
 Material : Cast Iron, ASTM A48 Class 35B
 Dimensions : All are in Inch

32" CITY OF FORT WORTH RING & COVER

ITEM # : 2280 - 2280ST

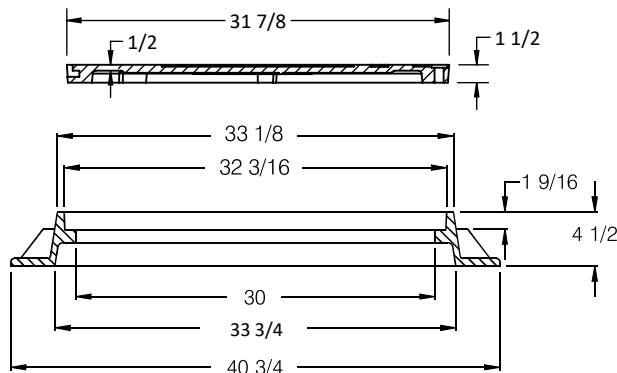


| ITEM # | DESCRIPTION |
|---------|--|
| 2280 | 32" CITY OF FORT WORTH SANITARY SEWER RING & COVER |
| 2280C | 32" CITY OF FORT WORTH SANITARY SEWER COVER (DI) |
| 2219G | 32" CITY OF FORT WORTH RING ONLY WITH GASKET |
| 2280ST | 32" CITY OF FORT WORTH STORM DRAIN RING & COVER |
| 2280STC | 32" CITY OF FORT WORTH STORM DRAIN COVER (DI) |

Load Rating : Heavy Duty (H-20/HS-20 & AASHTO M306)
 Material : Cast Iron, ASTM A48 Class 35B/D.I.
 Dimensions : All are in Inch

32" CITY OF PATTON VLG SANITARY SEWER WT RING & COVER

ITEM # : 2281

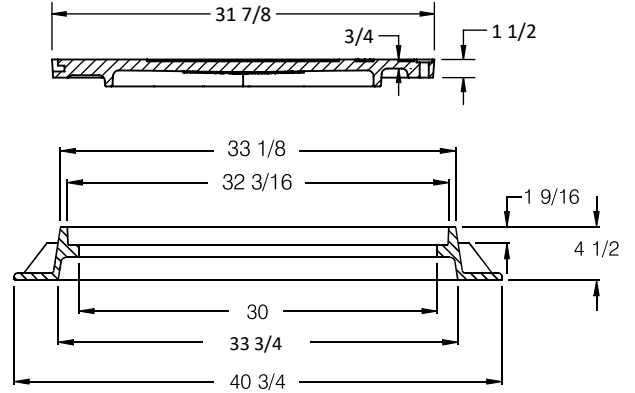


| ITEM # | DESCRIPTION |
|--------|---|
| 2281 | 32" CITY OF PATTON VLG SANITARY SEWER WT R&C |
| 2281C | 32" CITY OF PATTON VLG SANITARY SEWER WT COVER ONLY |

Load Rating : Non-Traffic (Sidewalks, terraces)
 Material : Cast Iron, ASTM A48 Class 35B
 Dimensions : All are in Inch

ITEM # : 2281HD

32" CITY OF PATTON VLG SANITARY SEWER WT RING & COVER HD

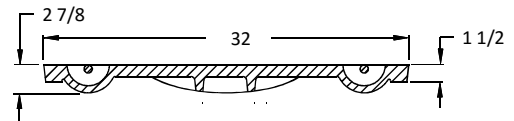
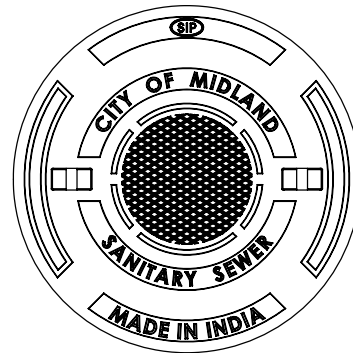


Load Rating : Heavy Duty (AASHTO M306)
Material : Cast Iron, ASTM A48 Class 35B
Dimensions : All are in Inch

| ITEM # | DESCRIPTION |
|----------|--|
| 2281HD | 32" CITY OF PATTON VLG SANITARY SEWER WT RING & COVER HD |
| 2281HD-C | 32" CITY OF PATTON VLG SANITARY SEWER WT COVER ONLY HD |

ITEM # : 2282C

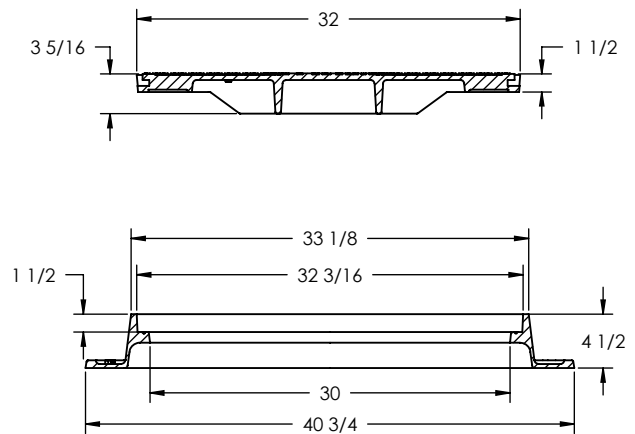
32" CITY OF MIDLAND SANITARY SEWER COVER ONLY DI



Load Rating : Heavy Duty (AASHTO M306)
Material : Ductile Iron ASTM A536
Dimensions : All are in Inch

ITEM # : 2283

32" CITY OF FRISCO SANITARY SEWER RING & COVER

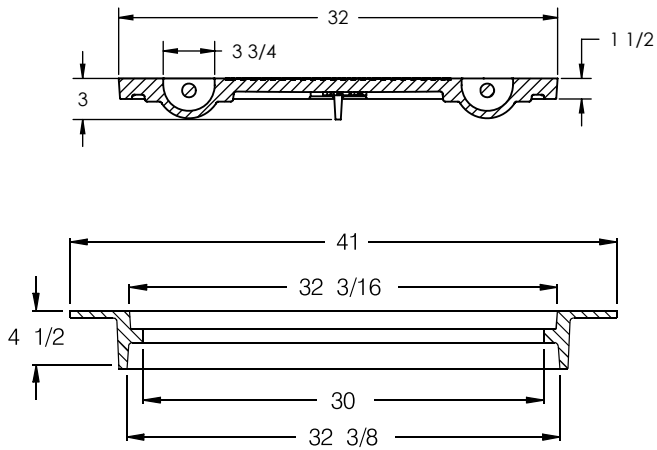


Load Rating : Heavy Duty (AASHTO M306)
Material : Cast Iron, ASTM A48 Class 35B/D.I.
Dimensions : All are in Inch

| ITEM # | DESCRIPTION |
|--------|---|
| 2283 | 32" CITY OF FRISCO SANITARY RING & COVER |
| 2283C | 32" CITY OF FRISCO SANITARY COVER ONLY (DI) |

32" BASS LOGO STORM SEWER REVERSIBLE RING & COVER

ITEM # : 2283STM

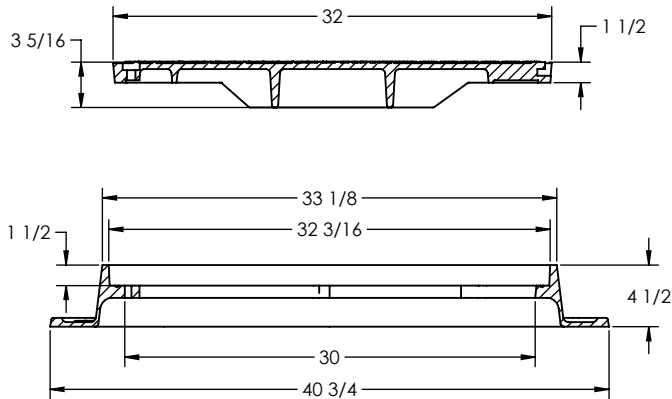


| ITEM # | DESCRIPTION |
|----------|---|
| 2283STM | 32" BASS LOGO STORM SEWER REVERSIBLE RING & COVER |
| 2283STMC | 32" BASS LOGO STORM SEWER COVER |

Load Rating : Heavy Duty (AASHTO M306)
 Material : Cast Iron, ASTM A48 Class 35B
 Dimensions : All are in Inch

32" CITY OF FRISCO SANITARY SEWER RING & COVER WT

ITEM # : 2283WT

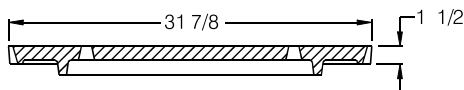


| ITEM # | DESCRIPTION |
|---------|---|
| 2283WT | 32" CITY OF FRISCO SANITARY SEWER RING & COVER W.T. |
| 2283WTC | 32" CITY OF FRISCO SANITARY SEWERCOVER ONLY W.T. DI |
| 2283WTR | 32" RING ONLY W.T. |

Load Rating : Heavy Duty (AASHTO M306)
 Material : Cast Iron, ASTM A48 Class 35B/D.I.
 Dimensions : All are in Inch

32" MANHOLE LOGO COVERS

ITEM # : 2284C - 2291STC

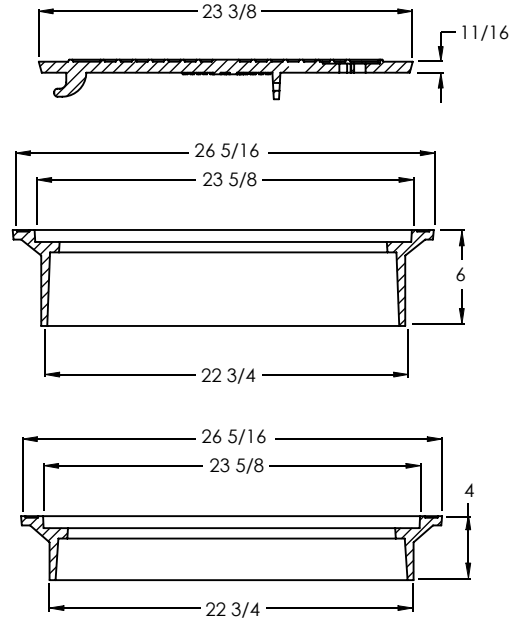


| ITEM # | DESCRIPTION |
|---------|---|
| 2284C | 32" CITY OF IOWA COLONY SANITARY SEWER COVER ONLY |
| 2284STC | 32" CITY OF IOWA COLONY STORM SEWER COVER ONLY |
| 2286C | 32" CITY OF MANVEL SANITARY COVER ONLY |
| 2286STC | 32" CITY OF MANVEL STORM COVER ONLY |
| 2291C | 32" CITY OF LA PORTE SANITARY COVER ONLY |
| 2291STC | 32" CITY OF LA PORTE STORM SEWER COVER ONLY |



Load Rating : Heavy Duty (AASHTO M306)
 Material : Cast Iron, ASTM A48 Class 35B
 Dimensions : All are in Inch

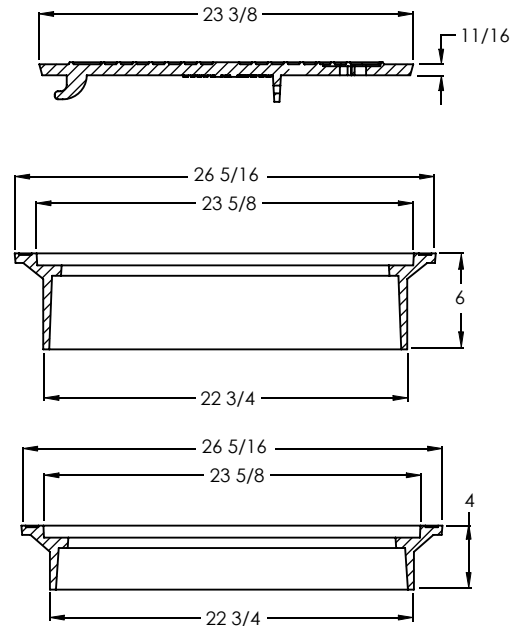
ITEM # : 2285S4/2285S6 STORM DRAIN INLET FRAME & COVER



Load Rating : Non-Traffic (Sidewalks, terraces)
Material : Cast Iron, ASTM A48 Class 35B
Dimensions : All are in Inch

| ITEM # | DESCRIPTION |
|---------|-------------------------------------|
| 2285S4 | STORM DRAIN COVER W/ 4" INLET FRAME |
| 2285S6 | STORM DRAIN COVER W/ 6" INLET FRAME |
| 2285C | STORM DRAIN COVER ONLY |
| 2285SF4 | 4" TALL INLET FRAME ONLY |
| 2285SF6 | 6" TALL INLET FRAME ONLY |

ITEM # : 2287S4/2287S6 CITY OF LEANDER INLET FRAME & COVER

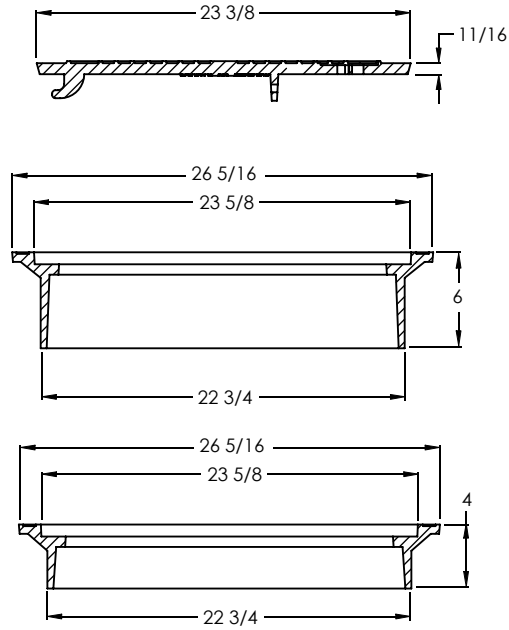


Load Rating : Non-Traffic (Sidewalks, terraces)
Material : Cast Iron, ASTM A48 Class 35B
Dimensions : All are in Inch

| ITEM # | DESCRIPTION |
|---------|---|
| 2287S4 | CITY OF LEANDER COVER W/ 4" INLET FRAME |
| 2287S6 | CITY OF LEANDER COVER W/ 6" INLET FRAME |
| 2287C | CITY OF LEANDER COVER ONLY |
| 2285SF4 | 4" TALL INLET FRAME ONLY |
| 2285SF6 | 6" TALL INLET FRAME ONLY |

CITY OF HUTTO INLET FRAME & COVER

ITEM # : 2288S4/2288S6

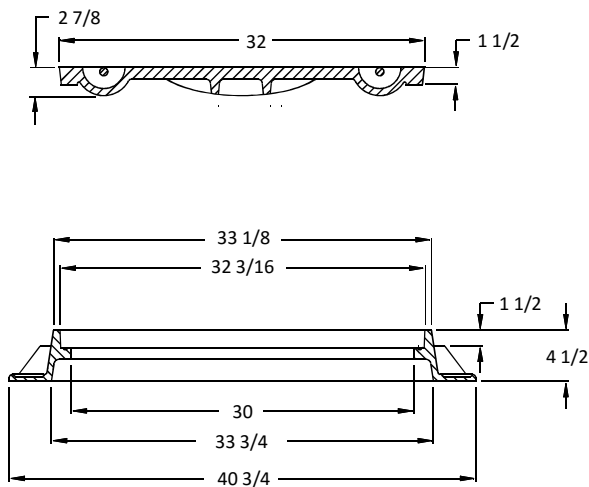


| ITEM # | DESCRIPTION |
|---------|---------------------------------------|
| 2288S4 | CITY OF HUTTO COVER W/ 4" INLET FRAME |
| 2288S6 | CITY OF HUTTO COVER W/ 6" INLET FRAME |
| 2288C | CITY OF HUTTO COVER ONLY |
| 2285SF4 | 4" TALL INLET FRAME ONLY |
| 2285SF6 | 6" TALL INLET FRAME ONLY |

Load Rating : Non-Traffic (Sidewalks, terraces)
 Material : Cast Iron, ASTM A48 Class 35B
 Dimensions : All are in Inch

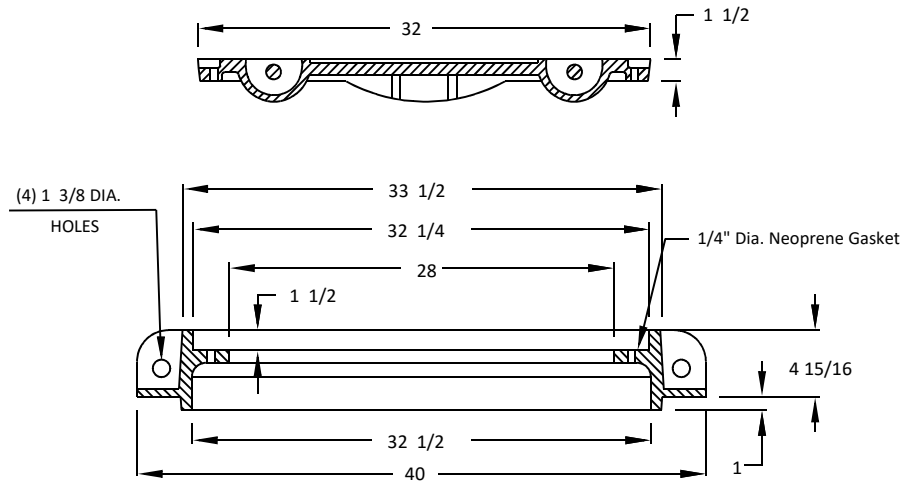
32" CITY OF HUTTO RING & COVER NON-BOLTED

ITEM # : 2289 - 2290



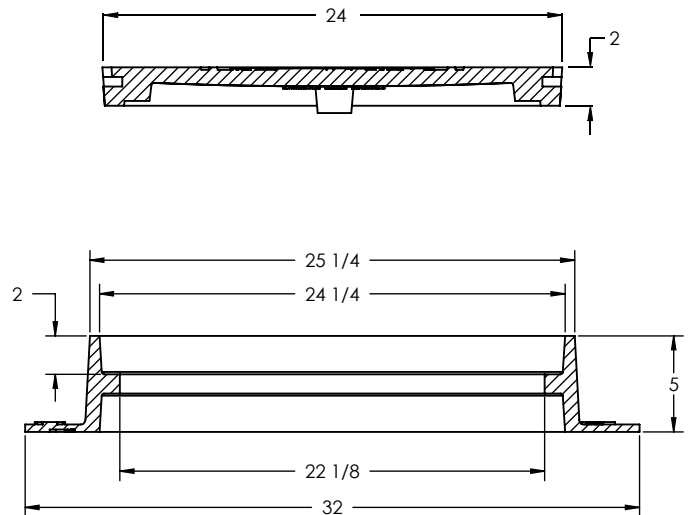
| ITEM # | DESCRIPTION |
|--------|---|
| 2289 | 32" CITY OF HUTTO STORM SEWER RING & COVER NON-BOLTED |
| 2289C | 32" CITY OF HUTTO STORM SEWER COVER ONLY (DI) |
| 2219 | VM19 COH RING ONLY |
| 2290 | 32" CITY OF HUTTO SANITARY SEWER RING & COVER NON- BOLTED |
| 2290C | 32" CITY OF HUTTO SANITARY SEWER COVER ONLY (DI). |

Load Rating : Heavy Duty (AASHTO M306)
 Material : Cast Iron, ASTM A48 Class 35B/D.I
 Dimensions : All are in Inch



Load Rating : Heavy Duty (AASHTO M306)
Material : Cast Iron, ASTM A48 Class 35B/D.I.
Dimensions : All are in Inch

| ITEM # | DESCRIPTION |
|--------|---|
| 2289B | 32" CITY OF HUTTO STORM SEWER RING & COVER BOLTED |
| 2289BC | 32" CITY OF HUTTO STORM SEWER COVER ONLY BOLTED (DI) |
| 4074R | 32" WATER TIGHT RING ONLY |
| 2290B | 32" CITY OF HUTTO SANITARY SEWER RING & COVER BOLTED |
| 2290BC | 32" CITY OF HUTTO SANITARY SEWER COVER ONLY BOLTED (DI) |

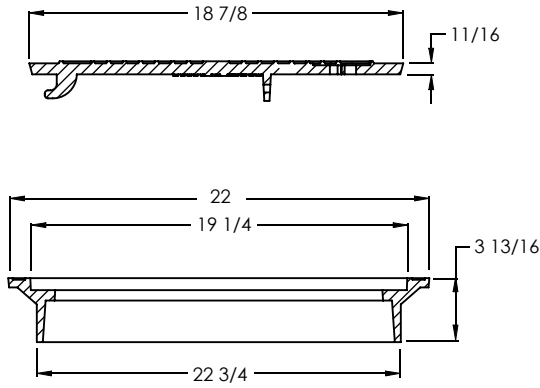


Load Rating : Heavy Duty (AASHTO M306)
Material : Cast Iron, ASTM A48 Class 35B
Dimensions : All are in Inch

| ITEM # | DESCRIPTION |
|--------|-------------------------------------|
| 2294 | 24" FRISCO STORM SEWER RING & COVER |
| 2294C | 24" FRISCO STORM SEWER COVER ONLY |
| 5911 | 24" REVERSIBLE RING ONLY |

19" BASS LOGO STORM DRAIN INLET FRAME & COVER

ITEM # : 2295

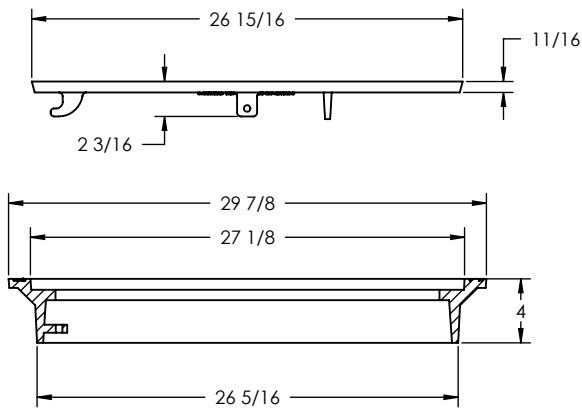


| ITEM # | DESCRIPTION |
|--------|---|
| 2295 | 19" BASS LOGO STORM DRAIN INLET FRAME & COVER |
| 2295C | 19" BASS LOGO STORM DRAIN INLET COVER ONLY |
| 2295F | 19" BASS LOGO STORM DRAIN INLET FRAME ONLY |

Load Rating : Non-Traffic (Sidewalks, terraces)
Material : Cast Iron, ASTM A48 Class 35B
Dimensions : All are in Inch

FORT WORTH STORM DRAIN INLET FRAME & COVER

ITEM # : 2296

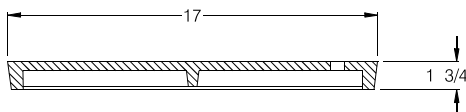


| ITEM # | DESCRIPTION |
|--------|--|
| 2296 | FORT WORTH STORM DRAIN INLET FRAME & COVER |
| 2296C | FORT WORTH STORM DRAIN INLET COVER ONLY |
| 2296F | FORT WORTH STORM DRAIN INLET FRAME ONLY |

Load Rating : Non-Traffic (Sidewalks, terraces)
Material : Cast Iron, ASTM A48 Class 35B
Dimensions : All are in Inch

17" SAMPLE WELL LOGO COVERS

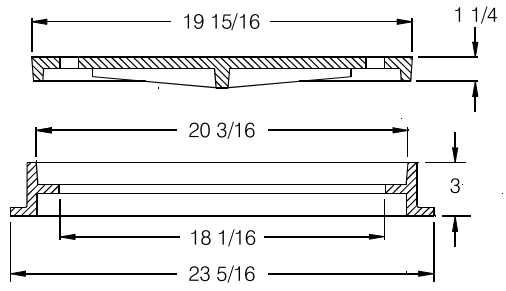
ITEM # : 2300 - 2301



| ITEM # | DESCRIPTION |
|--------|--------------------------------------|
| 2300 | 17" SAMPLE COVER LOGO JERRY McKINLEY |
| 2301 | 17" SAMPLE WELL COVER TEXAS PRECAST |

Load Rating : Heavy Duty (H-20/HS-20)
Material : Cast Iron, ASTM A48 Class 30B
Dimensions : All are in Inch

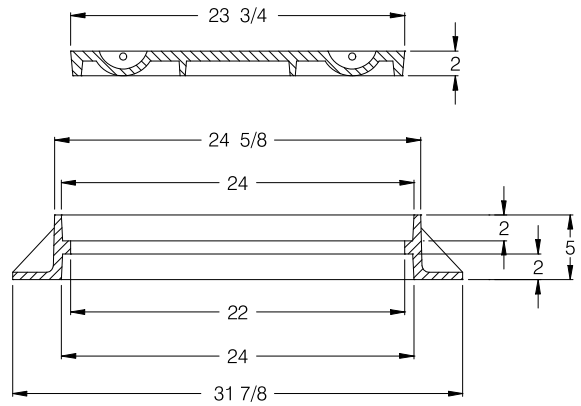
ITEM # : 2310 - 2321DI SAMPLE WELL RING & COVER



Load Rating : Heavy Duty (H-20/HS-20)
Material : Cast Iron, ASTM A48 Class 30B/D.I.
Dimensions : All are in Inch

| ITEM # | DESCRIPTION |
|--------|--|
| 2310 | SAMPLE WELL RING & COVER |
| 2311 | SAMPLE WELL COVER ONLY |
| 2312 | SAMPLE WELL RING ONLY |
| 2320 | SAMPLE WELL LOGO PARK EQUIPMENT RING & COVER |
| 2321 | PARK LOGO SAMPLE WELL COVER ONLY |
| 2320DI | SAMPLE WELL LOGO PARK EQUIPMENT CI RING & DI COVER |
| 2321DI | PARK LOGO SAMPLE WELL COVER ONLY (DI) |

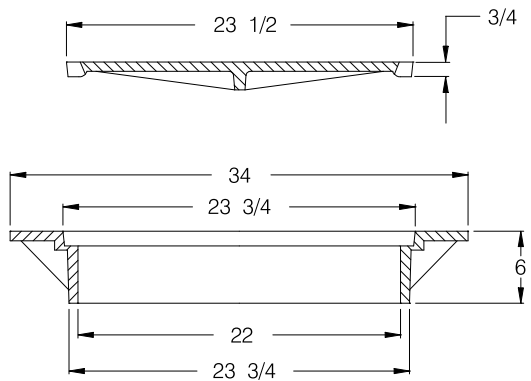
ITEM # : 2330 - 2332 PARK INTERCEPTOR RING & COVER



Load Rating : Heavy Duty (H-20/HS-20)
Material : Cast Iron, ASTM A48 Class 30B
Dimensions : All are in Inch

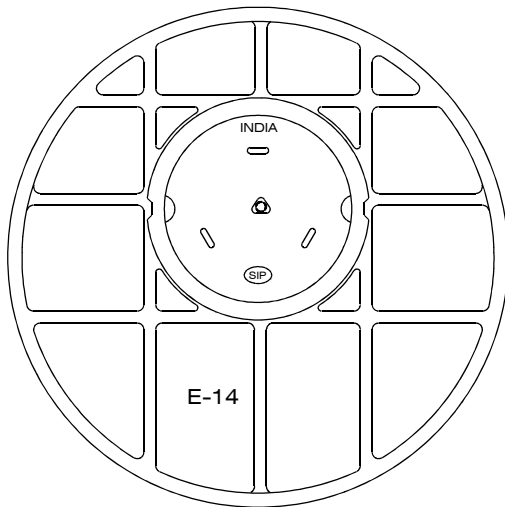
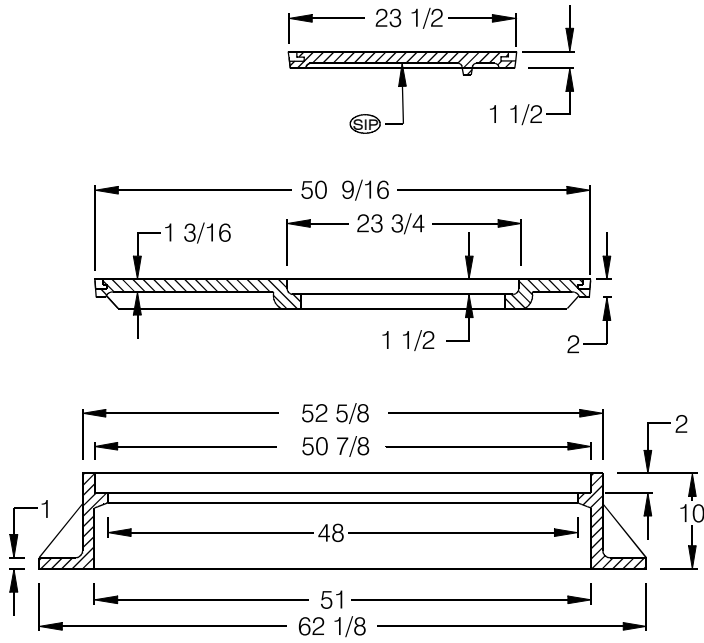
| ITEM # | DESCRIPTION |
|--------|--------------------------------------|
| 2330 | PARK INTERCEPTOR RING & COVER |
| 2331 | PARK INTERCEPTOR COVER ONLY |
| 2332 | PARK EQUIPMENT INTERCEPTOR RING ONLY |

ITEM # : 2340 - 2344 EQ. TYPE - C RING & COVER



Load Rating : Heavy Duty (H-20/HS-20)
Material : Cast Iron, ASTM A48 Class 30B
Dimensions : All are in Inch

| ITEM # | DESCRIPTION |
|--------|---------------------------------|
| 2340 | EQ. TYPE - C STORM RING & COVER |
| 2341 | EQ. TYPE - C STORM COVER ONLY |
| 2342 | EQ. TYPE - C PLAIN RING & COVER |
| 2344 | EQ. TYPE - C RING ONLY |

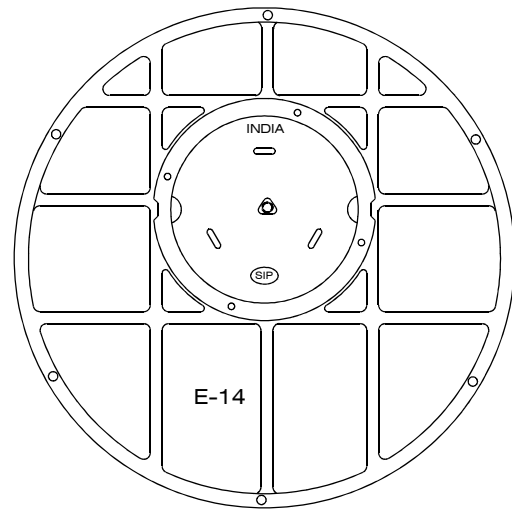
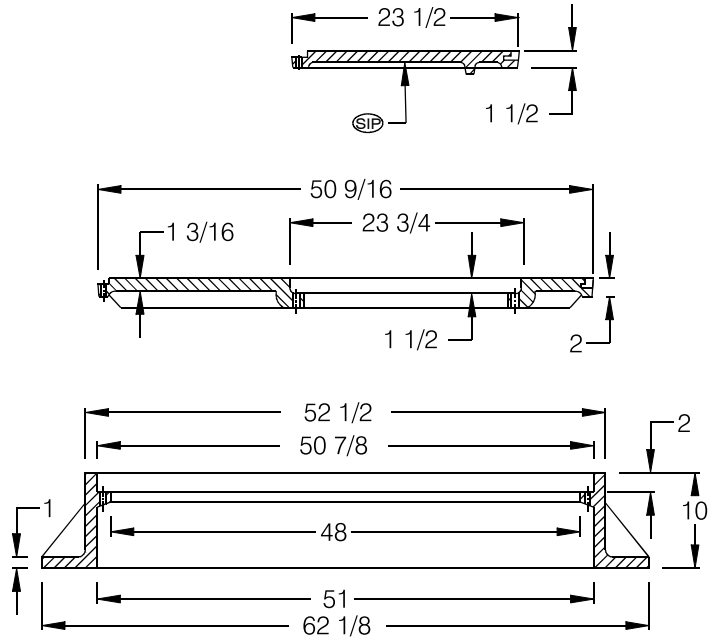
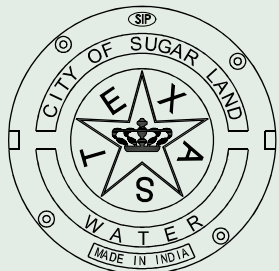


| ITEM # | DESCRIPTION |
|-----------|--|
| 2350 | EQ. V7048 MH 60" RING & OUTER COVER |
| 2350C | EQ. V7048 MH 60" OUTER COVER ONLY |
| 2350R | EQ. V7048 MH 60" RING ONLY |
| 2350COH | EQ. V7048 MH 60" RING & COVER, CITY OF HOUSTON |
| 2350SCOH | EQ. V7048 23 1/2" CITY OF HOUSTON COVER FOR 60" |
| 2350NFB | EQ. V7048 MH 60" RING & COVER, NORTH FORT BEND |
| 2350SNFB | EQ. V7048 23 1/2" NORTH FORT BEND COVER FOR 60" |
| 2350SJRA | EQ. V7048 MH 60" RING & COVER, SAN JAC RVR AUTH |
| 2350SSJRA | EQ. V7048 23 1/2" SAN JAC RVR AUTH COVER FOR 60" |
| 2350NHC | EQ. V7048 MH 60" RING & OUTER COVER, NORTH HARRIS CO |
| 2350SNHC | EQ. V7048 23 1/2" NORTH HARRIS CO COVER FOR 60" |
| 2350WHC | EQ. V7048 MH 60" RING & OUTER COVER, WEST HARRIS CO |
| 2350SWHC | EQ. V7048 23 1/2" WEST HARRIS CO COVER FOR 60" |
| 2350CWA | EQ. V7048 MH 60" RING & OUTER COVER, COSTAL WATER AUTH |
| 2350SCWA | EQ. V7048 23 1/2" COSTAL WATER AUTH COVER FOR 60" |
| 2350SUGW | EQ. V7048 MH 60" RING & OUTER COVER, SUGAR LAND WATER |
| 2350SSUGW | EQ. V7048 23 1/2" SUGAR LAND WATER COVER FOR 60" |

Load Rating : Heavy Duty (H-20/HS-20 & AASHTO M306)

Material : Cast Iron, ASTM A48 Class 35B

Dimensions : All are in Inch

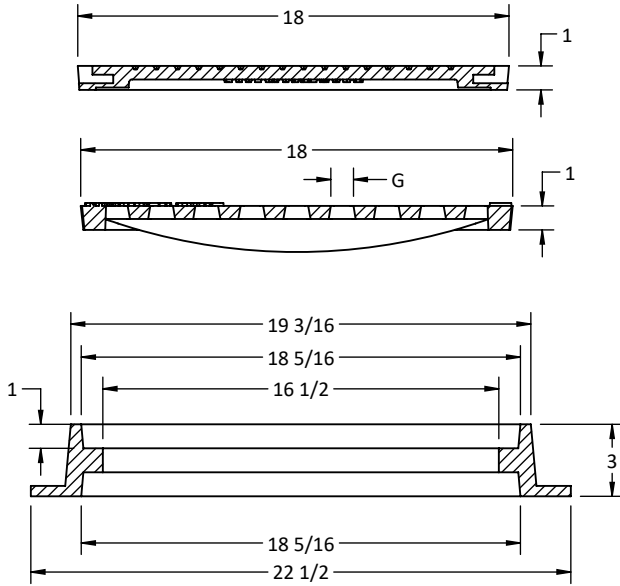


| ITEM # | DESCRIPTION |
|-----------|---|
| 2351 | EQ. V7048 MH WT 60" RING & OUTER COVER |
| 2351C | EQ. V7048 MH WT 60" OUTER COVER ONLY |
| 2351R | EQ. V7048 MH WT 60" RING ONLY |
| 2351COH | EQ. V7048 MH WT 60" RING & COVER, CITY OF HOUSTON |
| 2351SCOH | EQ. V7048 WT 23 1/2" CITY OF HOUSTON COVER FOR 60" |
| 2351NFB | EQ. V7048 MH WT 60" RING & COVER, NORTH FORT BEND |
| 2351SNFB | EQ. V7048 WT 23 1/2" NORTH FORT BEND COVER FOR 60" |
| 2351SJRA | EQ. V7048 MH WT 60" RING & COVER, SAN JAC RVR AUTH |
| 2351SSJRA | EQ. V7048 WT 23 1/2" SAN JAC RVR AUTH COVER FOR 60" |
| 2351NHC | EQ. V7048 MH WT 60" RING & OUTER COVER, NORTH HARRIS CO |
| 2351SNHC | EQ. V7048 WT 23 1/2" NORTH HARRIS CO COVER FOR 60" |
| 2351WHC | EQ. V7048 MH WT 60" RING & OUTER COVER, WEST HARRIS CO |
| 2351SWHC | EQ. V7048 WT 23 1/2" WEST HARRIS CO COVER FOR 60" |
| 2351CWA | EQ. V7048 MH WT 60" RING & OUTER COVER, COSTAL WATER AUTH |
| 2351SCWA | EQ. V7048 WT 23 1/2" COSTAL WATER AUTH COVER FOR 60" |
| 2351SUGW | EQ. V7048 MH WT 60" RING & OUTER COVER, SUGAR LAND WATER |
| 2351SSUGW | EQ. V7048 WT 23 1/2" SUGAR LAND WATER COVER FOR 60" |

Load Rating : Heavy Duty (H-20/HS-20 & AASHTO M306)
 Material : Cast Iron, ASTM A48 Class 35B
 Dimensions : All are in Inch

18" PLAIN COVER & REVERSIBLE RING

ITEM # : 2481



| ITEM # | DESCRIPTION |
|--------|-----------------------------------|
| 2481 | 18" PLAIN COVER & REVERSIBLE RING |
| 2481C | 18" PLAIN COVER ONLY |
| 2481G | 18" PLAIN GRATE ONLY |
| 2481R | 18" REVERSIBLE RING ONLY |

| GRATE | G |
|----------|----------------------------|
| Standard | 3 5/16" X 15/16" - 4 Nos. |
| | 5 5/8" X 15/16" - 4 Nos. |
| | 6 13/16" X 15/16" - 4 Nos. |
| | 7 3/8" X 15/16" - 4 Nos. |
| | 7 1/2" X 15/16" - 2 Nos. |

| GRATE | OPEN AREA | FLOW RATE |
|----------|----------------|----------------------------|
| Standard | 101.08 sq. in. | 2.67 ft ³ /sec. |

*Open Area & Flow Rate Values are Approximate.

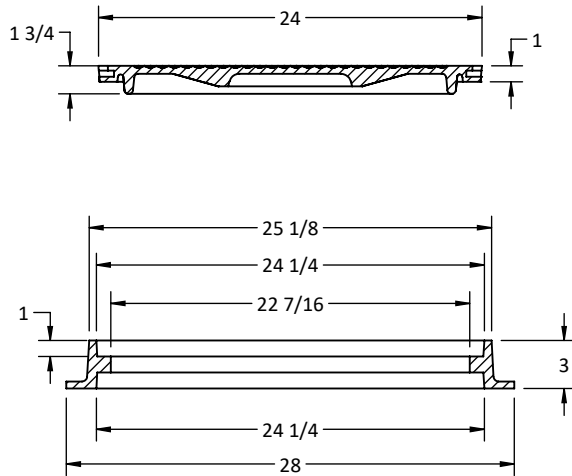
Load Rating : Non-Traffic (Sidewalks, Terraces)

Material : Cast Iron, ASTM A48 Class 30B

Dimensions : All are in Inch

24" COVER & REVERSIBLE RING

ITEM # : 2482 - 2482S



| ITEM # | DESCRIPTION |
|--------|---|
| 2482 | 24" PLAIN COVER & REVERSIBLE RING |
| 2482C | 24" PLAIN COVER ONLY |
| 2482R | 24" REVERSIBLE RING ONLY |
| 2482S | 24" SEPTIC MARKED COVER & REVERSIBLE RING |
| 2482SC | 24" SEPTIC MARKED COVER ONLY. |

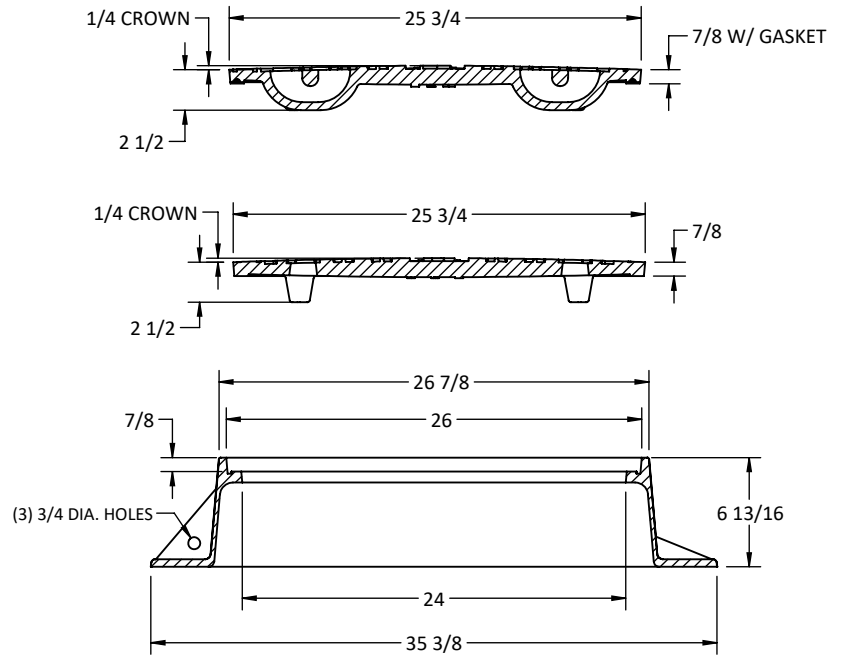
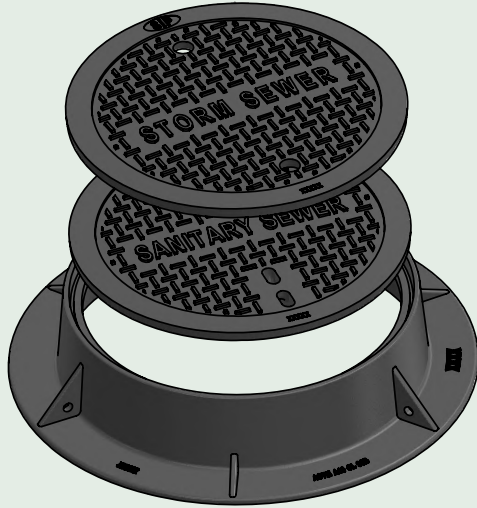
Load Rating : Non-Traffic (Sidewalks, Terraces)

Material : Cast Iron, ASTM A48 Class 30B

Dimensions : All are in Inch

ITEM # : 2490

25 3/4" RING & COVER

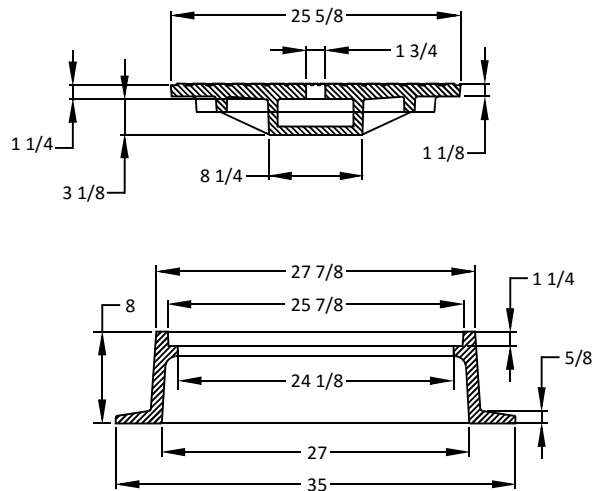


Load Rating : Heavy Duty (H-20/HS-20)
Material : Cast Iron, ASTM A48 Class 35B
Dimensions : All are in Inch

| ITEM # | DESCRIPTION |
|---------|-----------------------------------|
| 2490C | 25 3/4" SANITARY SEWER COVER ONLY |
| 2490CST | 25 3/4" STORM SEWER COVER ONLY |
| 2490R | 25 3/4" RING ONLY 7" TALL |

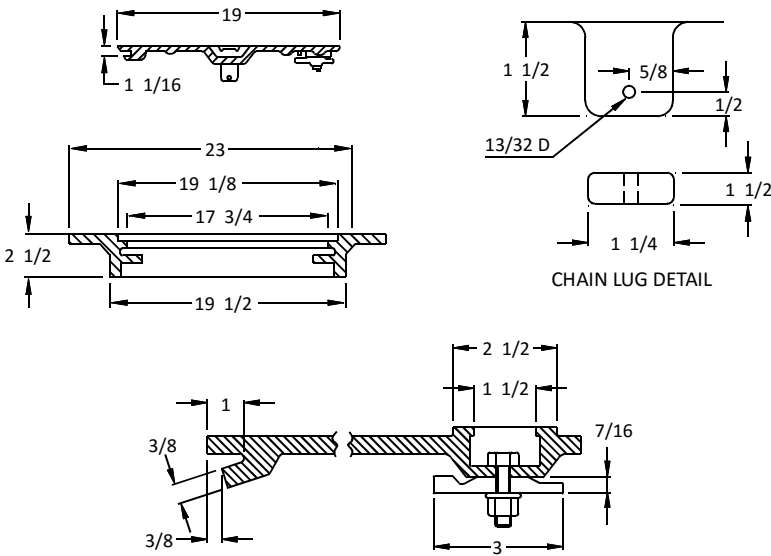
ITEM # : 3500

A2 BOSTON MANHOLE RING & COVER



Load Rating : Heavy Duty (H-20/HS-20)
Material : Cast Iron, ASTM A48 Class 30B
Dimensions : All are in Inch

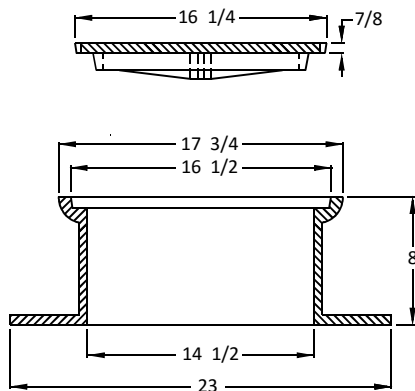
| ITEM # | DESCRIPTION |
|--------|--------------------------------------|
| 3500 | A2 BOSTON MANHOLE RING & COVER SEWER |
| 3501 | A2 BOSTON MANHOLE RING & COVER METER |
| 3502 | A2 BOSTON MANHOLE RING & COVER DRAIN |



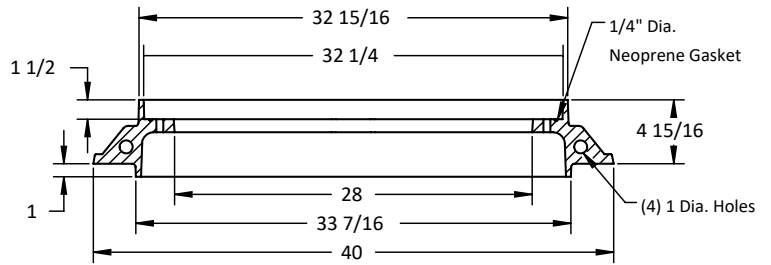
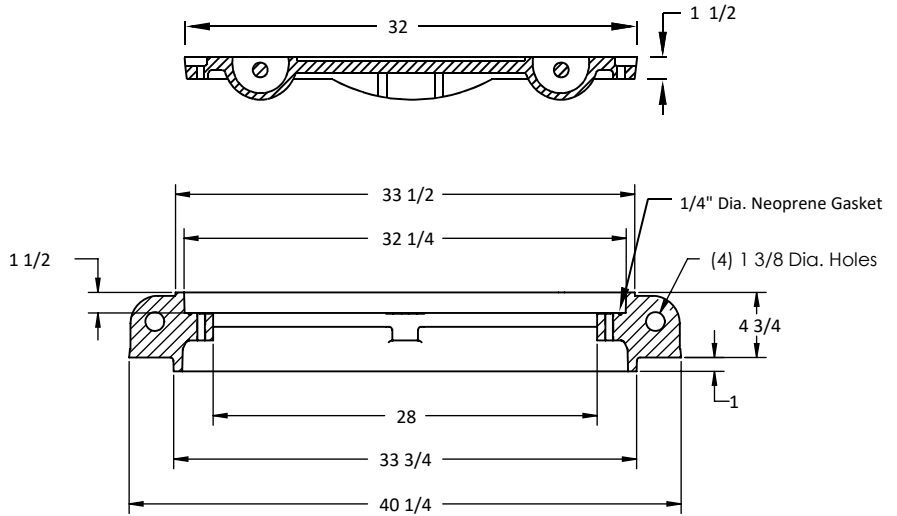
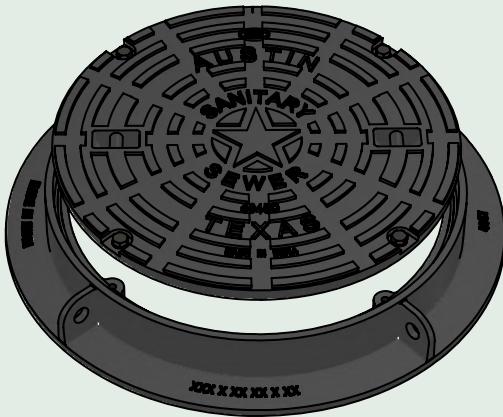
ITEM # DESCRIPTION

- 4010 EQ M53 PLAIN FISH STORM RING & COVER 19"
- 4011 EQ M53 FISH LOGO AUSTIN STORM SEWER RING & COVER
- 4013 EQ M53 PLAIN STORM RING & COVER 19" SP
- 4014 EQ M53 CEDAR PARK STORM RING & COVER 19"
- 4017 EQ M53 PLAIN FISH ROUND ROCK STORM RING & COVER
- 4018 EQ M53 CITY OF LEANDER
- 4019 EQ M53 CITY OF PFLUGERVILLE

Load Rating : Heavy Duty (H-20/HS-20)
 Material : Cast Iron, ASTM A48 Class 30B/35B
 Dimensions : All are in Inch



Load Rating : Heavy Duty (AASHTO M306)
 Material : Cast Iron, ASTM A48 Class 30B/35B
 Dimensions : All are in Inch



| ITEM # | DESCRIPTION |
|----------|--|
| 4045 | 32" AUSTIN BOLTED SANITARY RING & COVER |
| 4045C | 32" AUSTIN BOLTED SANITARY COVER ONLY (DI) |
| 4045STM | 32" AUSTIN BOLTED STORM RING & COVER |
| 4045CSTM | 32" AUSTIN BOLTED STORM COVER ONLY (DI) |
| 4063 | 32" ROUND ROCK SANITARY SEWER W.T. R & C (DI) |
| 4067 | 32" AUSTIN BOLTED RING ONLY |
| 4074C | CEDER PARK SANITARY COVER ONLY W.T. |
| 4074R | 32" WATER TIGHT RING ONLY |
| 4076 | 32" CEDAR PARK STORM WATER TIGHT R & C |
| 4076C | 32" CEDAR PARK STORM COVER ONLY W.T. |
| 4084 | 32" PLAIN TEXAS SANITARY WATER TIGHT R & C |
| 4084C | 32" PLAIN TEXAS SANITARY COVER ONLY W.T. |
| 4086 | 32" PLAIN TEXAS STORM WATER TIGHT R & C |
| 4086C | 32" PLAIN TEXAS STORM COVER ONLY W.T. |
| 4095 | 32" PFLUGERVILLE SANITARY WATER TIGHT R & C |
| 4097 | 32" PFLUGERVILLE STORM DRAIN WATER TIGHT R & C |

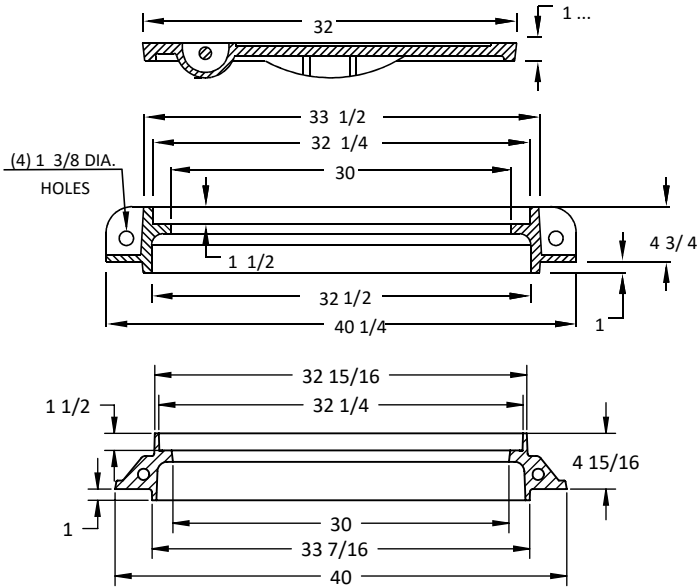
Load Rating : Heavy Duty (AASHTO M306)

Material : Cast Iron, ASTM A48 Class 35B/D.I.

Dimensions : All are in Inch

32" RING & COVER

ITEM # : 4046 - 4093

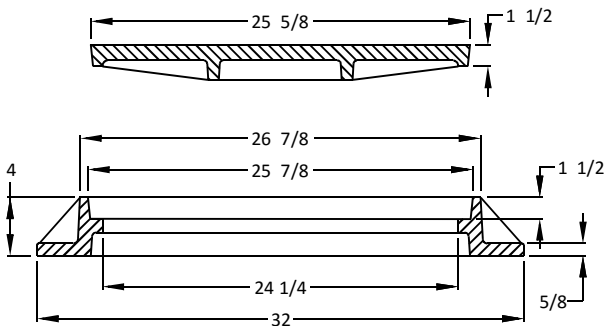


| ITEM # | DESCRIPTION |
|----------|--|
| 4046 | 32" AUSTIN SANITARY RING & COVER |
| 4046C | 32" AUSTIN SANITARY COVER ONLY |
| 4046STM | 32" AUSTIN STORM RING & COVER DI |
| 4046CSTM | 32" AUSTIN STORM COVER ONLY DI |
| 4061 | 32" ROUND ROCK SANITARY SEWER R & C |
| 4070 | 32" CEDAR PARK SANITARY RING & COVER |
| 4070C | 32" CEDAR PARK SANITARY COVER ONLY |
| 4072 | 32" CEDAR PARK STORM RING & COVER |
| 4072C | 32" CEDAR PARK STORM COVER |
| 4070R | 32" RING ONLY |
| 4080 | 32" PLAIN TEXAS STORM RING & COVER |
| 4080C | 32" PLAIN TEXAS STORM COVER |
| 4082 | 32" PLAIN TEXAS SANITARY RING & COVER |
| 4082C | 32" PLAIN TEXAS SANITARY COVER |
| 4080R | 32" AUSTING RING |
| 4091 | 32" PFLUGERVILLE SANITARY RING & COVER CL-35 |
| 4093 | 32" PFLUGERVILLE STORM DRAIN R & C CL-35 |

Load Rating : Heavy Duty (AASHTO M306)
Material : Cast Iron, ASTM A48 Class 35B
Dimensions : All are in Inch

STORM DRAIN RING & COVER

ITEM # : 4251 - 4263



| ITEM # | DESCRIPTION |
|--------|---|
| 4251 | SCALE OF JUSTICE SAN ANTONIO COVER ONLY DRAIN |
| 4252 | SCALE OF JUSTICE SAN ANTONIO RING ONLY |
| 4253 | FISH LOGO STORM DRAIN SAN ANTONIO COVER ONLY |
| 4260 | RING & STORM DRAIN COVER |
| 4261 | STORM DRAIN COVER ONLY |
| 4262 | FISH LOGO STORM DRAIN SAN ANTONIO WT. R & C |
| 4262C | FISH LOGO STORM SAN ANTONIO WT. COVER ONLY |
| 4262R | 24" SAN ANTONIO WATER TIGHT RING ONLY |
| 4263 | FISH LOGO STORM DRAIN SAN ANTONIO R & C |
| 4263C | FISH LOGO STORM DRAIN SAN ANTONIO COVER ONLY |

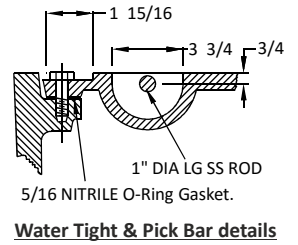
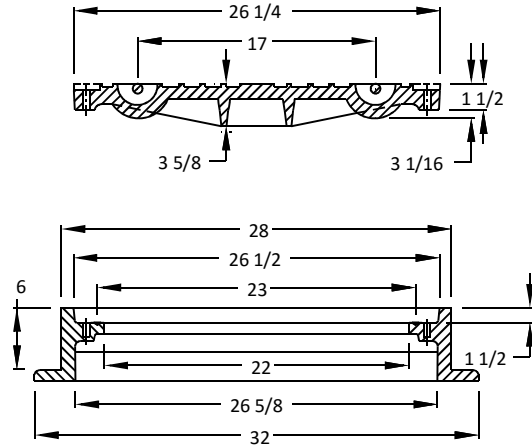
Load Rating : Heavy Duty (H-20/HS-20)
Material : Cast Iron, ASTM A48 Class 30B
Dimensions : All are in Inch

ITEM # : 4264 - 4271

SAN ANTONIO WATER TIGHT RING & COVER



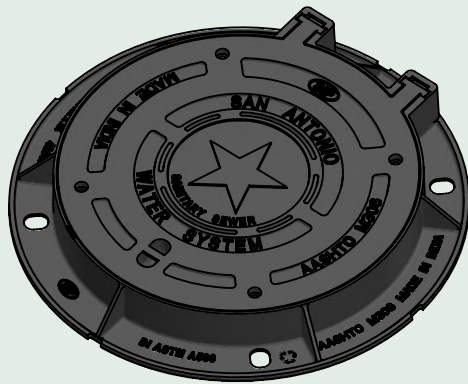
Load Rating : Heavy Duty (H-20/HS-20)
Material : Cast Iron, ASTM A48 Class 30B
Dimensions : All are in Inch



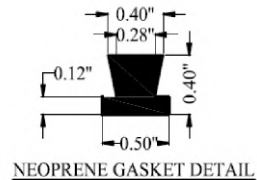
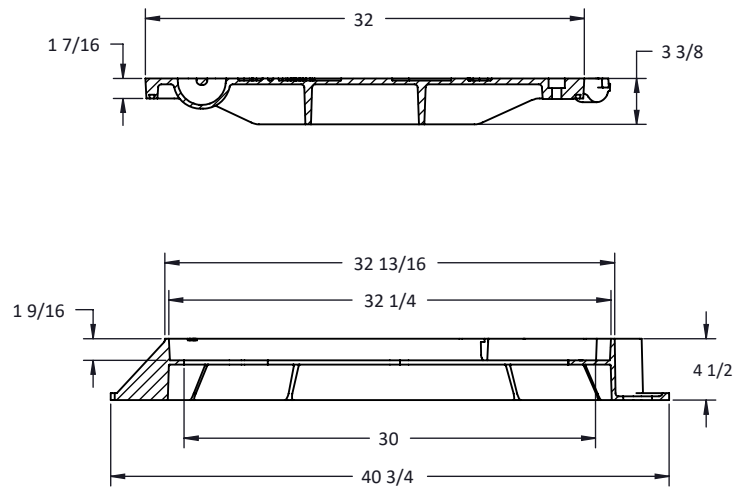
| ITEM # | DESCRIPTION |
|--------|--|
| 4264 | PLAIN SAN ANTONIO WT R & C SANITARY SEWER |
| 4264C | PLAIN SAN ANTONIO WT COVER ONLY |
| 4264R | SAWS WATER TIGHT RING ONLY |
| 4265 | PLAIN SAN ANTONIO WT R & C SANITARY SEWER VENTED |
| 4265C | PLAIN SAN ANTONIO WT COVER ONLY VENTED |
| 4270 | SAWS WATER TIGHT R & C SANITARY SEWER |
| 4270C | SAWS WATER TIGHT COVER ONLY |
| 4270R | SAWS WATER TIGHT RING ONLY |
| 4271 | SAWS WATER TIGHT R & C SANITARY SEWER VENTED |
| 4271C | SAWS WATER TIGHT COVER ONLY VENTED |

ITEM # : 4266 - 4269

32" SAWS WATER TIGHT RING & COVER



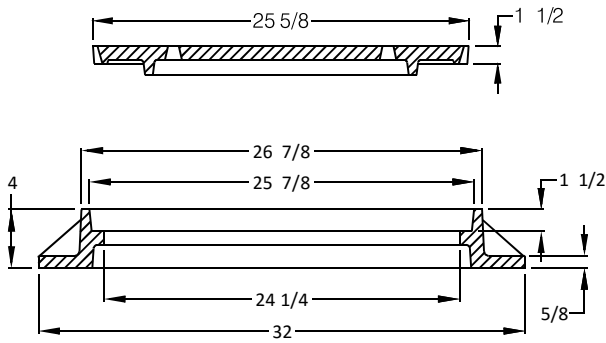
Load Rating : Heavy Duty (AASHTO M306)
Material : Ductile Iron, ASTM A536
Dimensions : All are in Inch



| ITEM # | DESCRIPTION |
|--------|-----------------------------------|
| 4266C | 32" SAWS WATER TIGHT COVER ONLY |
| 4266R | 32" SAWS WATER TIGHT RING ONLY |
| 4267 | 32" SAWS DI ACESORY KIT' |
| 4269 | SAWS 32" WATER TIGHT RING & COVER |

CITY OF LAREDO SANITARY RING & COVER

ITEM # : 4273 - 4274

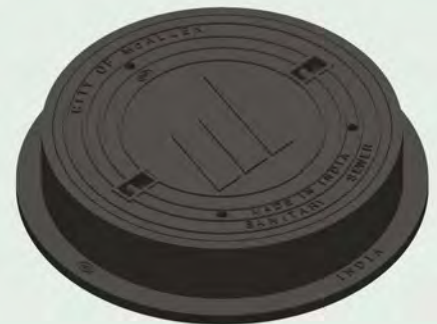
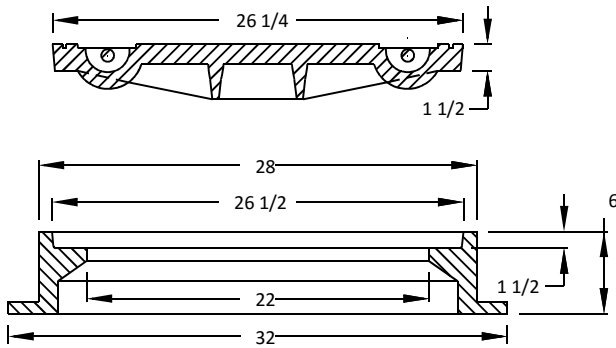


| ITEM # | DESCRIPTION |
|--------|---|
| 4273 | CITY OF LAREDO WATER TIGHT R & C SANITARY |
| 4273C | CITY OF LAREDO WT COVER ONLY SANITARY |
| 4274 | CITY OF LAREDO SANITARY R & C |

Load Rating : Heavy Duty (H-20/HS-20)
Material : Cast Iron, ASTM A48 Class 30B
Dimensions : All are in Inch

CITY OF McALLEN RING & COVER

ITEM # : 4275 - 4276

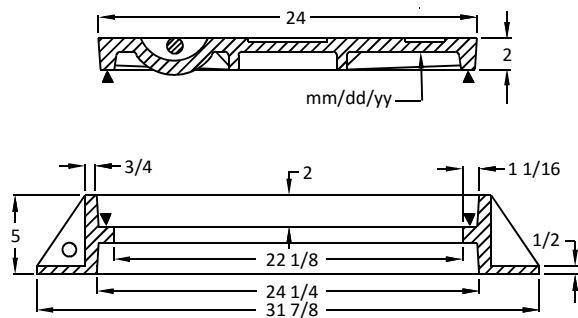


| ITEM # | DESCRIPTION |
|--------|---------------------------------------|
| 4275 | CITY OF McALLEN SANITARY RING & COVER |
| 4275C | CITY OF McALLEN SANITARY COVER ONLY |
| 4276 | CITY OF McALLEN STORM RING & COVER |
| 4276C | CITY OF McALLEN STORM COVER ONLY |

Load Rating : Heavy Duty (H-20/HS-20)
Material : Cast Iron, ASTM A48 Class 30B
Dimensions : All are in Inch

CITY OF HARLINGEN SANITARY SEWER RING & COVER

ITEM # : 4278

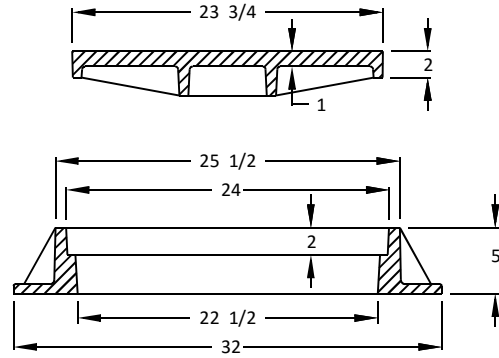


| ITEM # | DESCRIPTION |
|--------|---|
| 4278 | CITY OF HARLINGEN RING & COVER SANITARY SEWER |
| 4278C | CITY OF HARLINGEN SANITARY SEWER COVER ONLY |
| 4278R | CITY OF HARLINGEN RING ONLY |

Load Rating : Heavy Duty (H-20/HS-20)
Material : Cast Iron, ASTM A48 Class 30B
Dimensions : All are in Inch

ITEM # : 4280 - 4281

CITY OF CORPUS CHRISTI RING & COVER

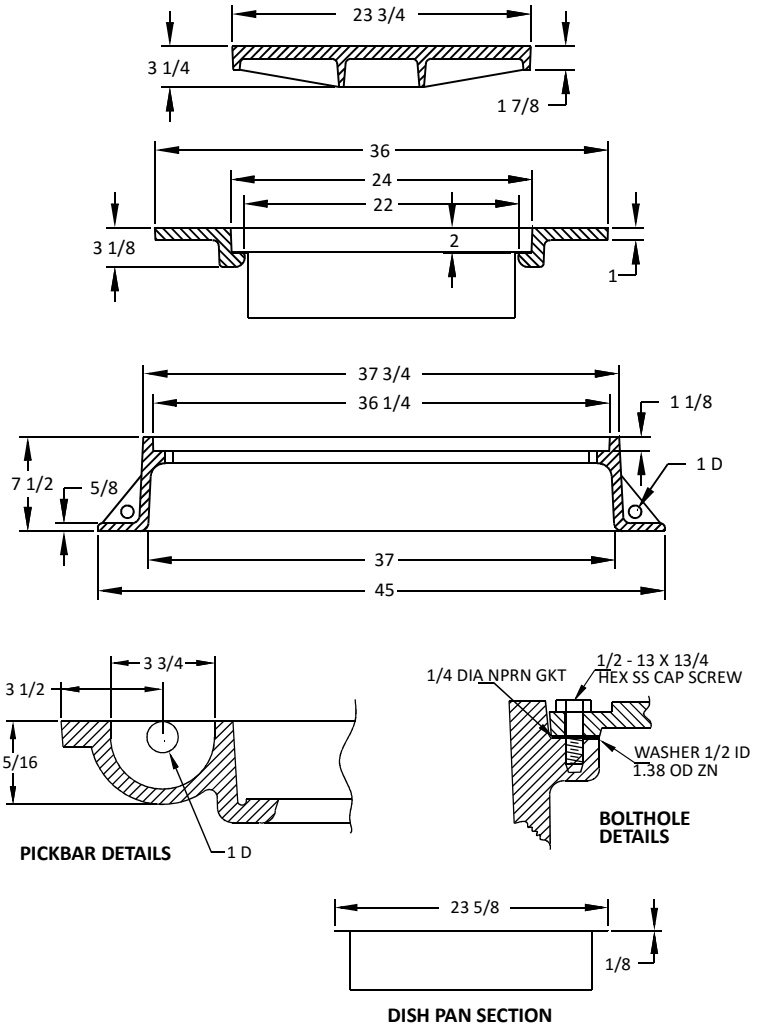


Load Rating : Heavy Duty (H-20/HS-20)
Material : Cast Iron, ASTM A48 Class 30B
Dimensions : All are in Inch

| ITEM # | DESCRIPTION |
|--------|--|
| 4280 | CITY OF CORPUS CHRISTI R & C SANITARY SEWER |
| 4280R | 24" CORPUS CHRISTI RING ONLY |
| 4281 | CITY OF CORPUS CHRISTI R & C STORM SEWER PLAIN |
| 4281C | CITY OF CORPUS CHRISTI STORM COVER ONLY PLAIN |

ITEM # : 4282 - 4283

CITY OF CORPUS CHRISTI LARGE RING & COVER w/INNER COVER

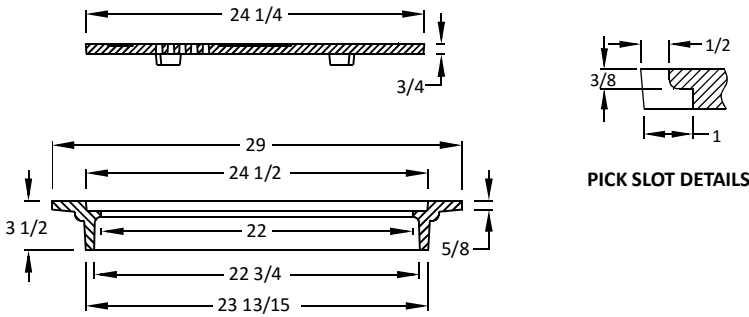


Load Rating : Heavy Duty (AASHTO M306)
Material : Cast Iron, ASTM A48 Class 30B
Dimensions : All are in Inch

| ITEM # | DESCRIPTION |
|--------|---|
| 4282 | CITY OF CORPUS CHRISTI SANITARY SEWER COVER |
| 4283 | CITY OF CORPUS LARGE R & C w/INNER COVER SANI SEWER |
| 4283OC | CITY OF CORPUS CHRISTI OUTER COVER ONLY |
| 4283R | CITY OF CORPUS CHRISTI LARGE RING ONLY |

CITY OF CORPUS CHRISTI SIDE WALK RING & GRATE

ITEM # : 4288

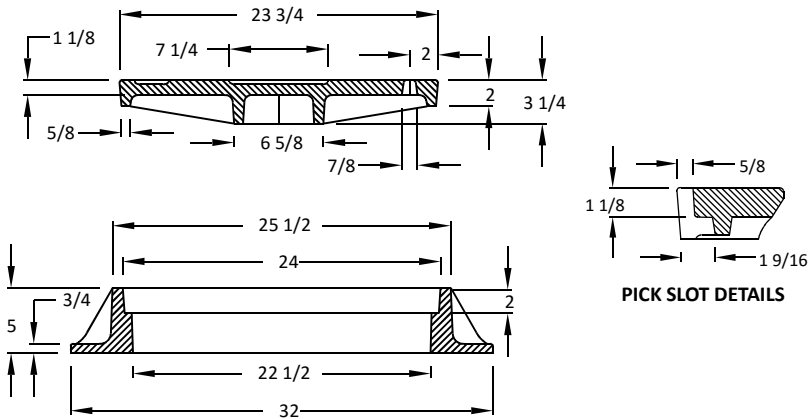


| ITEM # | DESCRIPTION |
|--------|---|
| 4288 | CITY OF CORPUS CHRISTI SIDE WALK RING & GRATE |
| 4288C | CITY OF CORPUS CHRISTI SIDE WALK GRATE ONLY |
| 4288R | CITY OF CORPUS CHRISTI SIDE WALK RING ONLY |

Load Rating : Heavy Duty (H-20/HS-20)
Material : Cast Iron, ASTM A48 Class 30B
Dimensions : All are in Inch

CITY OF CORPUS CHRISTI R & C STORM (CITY LOGO)

ITEM # : 4289

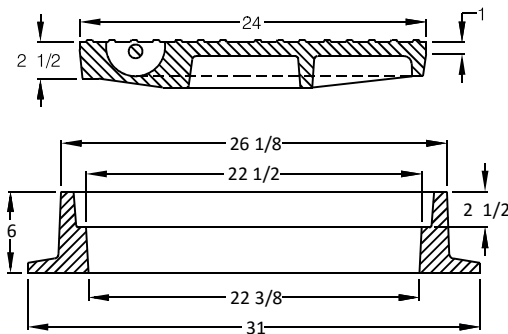


| ITEM # | DESCRIPTION |
|--------|--|
| 4289 | CITY OF CORPUS CHRISTI LOGO R & C STORM |
| 4289C | CITY OF CORPUS CHRISTI LOGO STORM COVER ONLY |

Load Rating : Heavy Duty (H-20/HS-20)
Material : Cast Iron, ASTM A48 Class 30B
Dimensions : All are in Inch

EQ. V1121 - 400-24 RING & COVER

ITEM # : 4310 - 4315

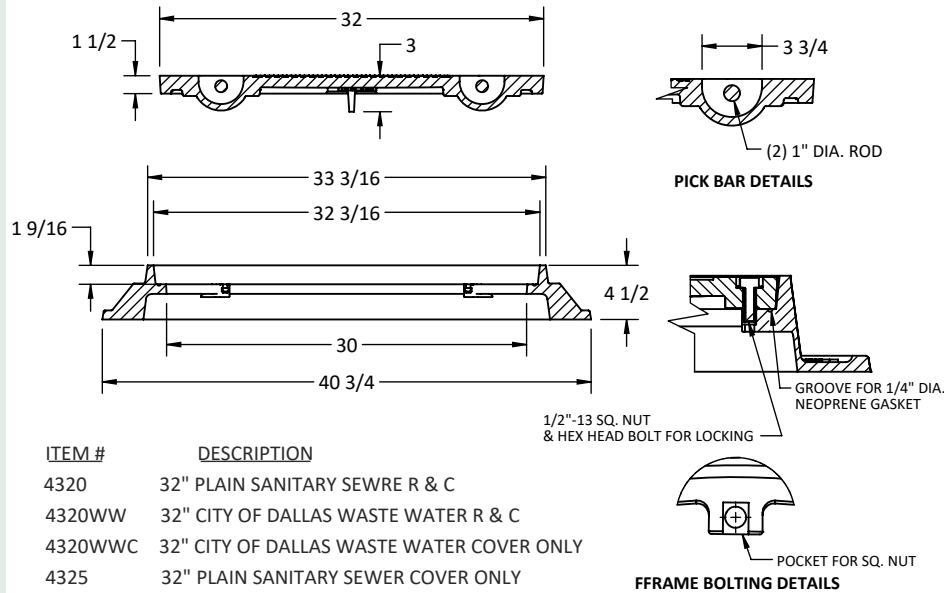


| ITEM # | DESCRIPTION |
|--------|--|
| 4310 | EQ 400-24 SANITARY SEWER RING & COVER |
| 4310C | EQ 400-24 SANITARY SEWER COVER ONLY |
| 4310R | EQ 400-24 RING ONLY |
| 4312 | EQ 400-24 SANITARY SEWER RING & COVER W.T. |
| 4315 | EQ 400-24 WASTE WATER RING & COVER |
| 4315C | EQ 400-24 WASTE WATER COVER ONLY |

Load Rating : Heavy Duty (H-20/HS-20)
Material : Cast Iron, ASTM A48 Class 30B
Dimensions : All are in Inch

ITEM # : 4320 - 4327

32" SANITARY SEWER RING & COVER

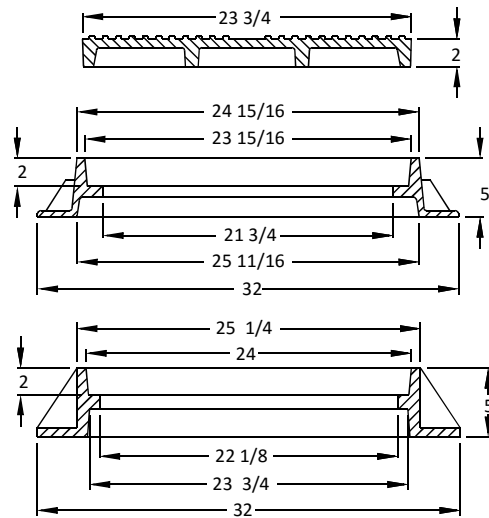


| ITEM # | DESCRIPTION |
|---------|---|
| 4320 | 32" PLAIN SANITARY SEWER R & C |
| 4320WW | 32" CITY OF DALLAS WASTE WATER R & C |
| 4320WWC | 32" CITY OF DALLAS WASTE WATER COVER ONLY |
| 4325 | 32" PLAIN SANITARY SEWER COVER ONLY |
| 4326 | 32" COH SANITARY SEWER WT. R & C |
| 4326C | 32" COH SANITARY SEWER WT. COVER ONLY |
| 4327 | 32" PLAIN SANITARY SEWER WT. R & C |
| 4327H | 32" PLAIN SANITARY SEWER WT. HARDWARE |
| 4327B | 32" PLAIN SANITARY SEWER WT. BOLT ONLY |
| 4327C | 32" PLAIN SANITARY SEWER WT. COVER ONLY |
| 4327G | 32" PLAIN SANITARY SEWER WT. GASKET ONLY |
| 4327N | 32" PLAIN SANITARY SEWER WT. NUT ONLY |
| 4327R | 32" PLAIN SANITARY SEWER WT. RING ONLY |

Load Rating : Heavy Duty (H-20/HS-20 & AASHTO M306)
Material : Cast Iron, ASTM A48 Class 35B
Dimensions : All are in Inch

ITEM # : 4330 - 4370

EQ 300 - 23.75 RING & COVER

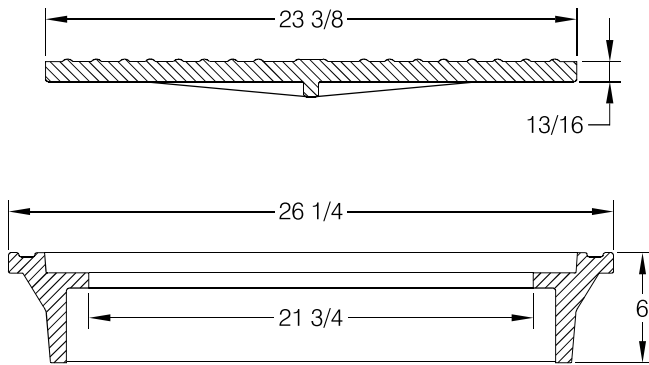


| ITEM # | DESCRIPTION |
|--------|---|
| 4330 | EQ 300-23.75 SANITARY SEWER R & C |
| 4331 | EQ 300-23.75 SANITARY SEWER COVER ONLY |
| 4332 | EQ 300-23.75 RING ONLY |
| 4340 | EQ 300-23.75 STORM SEWER R & C |
| 4341 | EQ 300-23.75 STORM SEWER COVER ONLY |
| 4350 | EQ 300-23.75 STORM DRAIN R & C |
| 4351 | EQ 300-23.75 STORM DRAIN COVER ONLY |
| 4360 | EQ 300-23.75 REVERSIBLE STORM SEWER R & C |
| 4362 | EQ 300-23.75 REVERSIBLE RING ONLY |
| 4370 | EQ 300-23.75 WATER RING & COVER |
| 4370C | EQ 300-23.75 WATER COVER ONLY |

Load Rating : Heavy Duty (H-20/HS-20)
Material : Cast Iron, ASTM A48 Class 35B
Dimensions : All are in Inch

EQ. 226L RING & LID

ITEM # : 4380



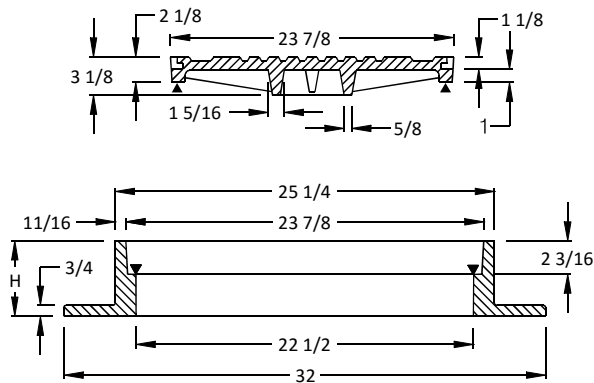
Load Rating : Heavy Duty (H-20/HS-20)

Material : Cast Iron, ASTM A48 Class 30B

Dimensions : All are in Inch

EL PASO WATER UTILITIES PSB RING & COVER

ITEM # : 4410 - 4420



| ITEM # | DESCRIPTION |
|--------|---|
| 4410 | EL PASO WATER UTILITIES PSB 5 1/4" HIGH R & C |
| 4420 | EL PASO WATER UTILITIES PSB 6 1/4" HIGH R & C |

| ITEM NO. | H (inch) |
|----------|----------|
| 4410 | 5 1/4 |
| 4420 | 6 1/4 |

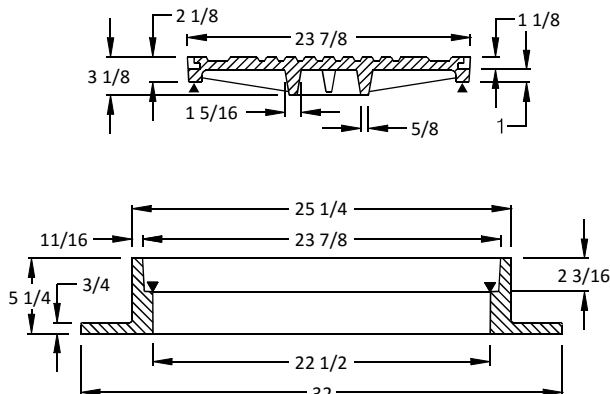
Load Rating : Heavy Duty (H-20/HS-20)

Material : Cast Iron, ASTM A48 Class 30B

Dimensions : All are in Inch

CITY OF EL PASO STORM RING & COVER

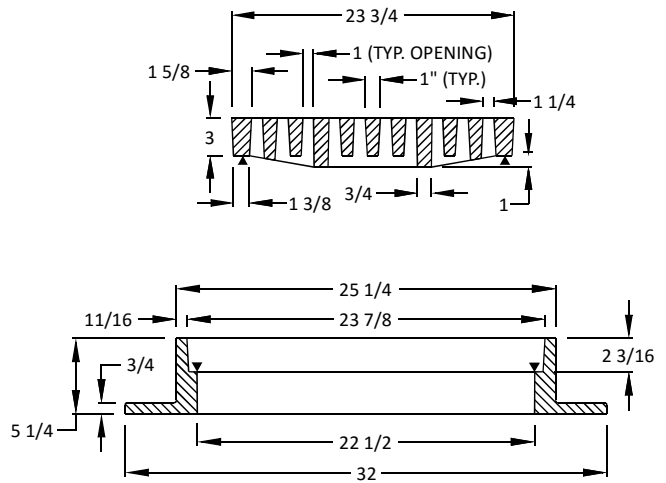
ITEM # : 4430



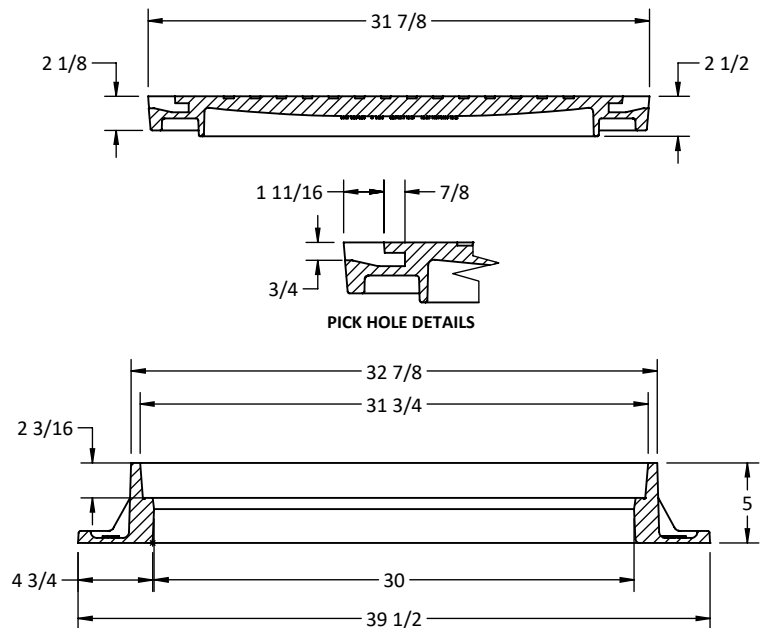
Load Rating : Heavy Duty (H-20/HS-20)

Material : Cast Iron, ASTM A48 Class 30B

Dimensions : All are in Inch



Load Rating : Heavy Duty (H-20/HS-20)
Material : Cast Iron, ASTM A48 Class 30B
Dimensions : All are in Inch

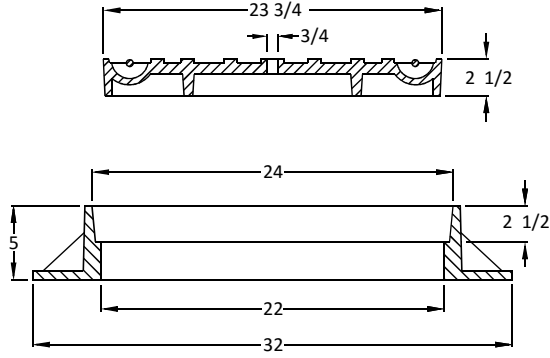


Load Rating : Heavy Duty (AASHTO M306)
Material : Cast Iron, ASTM A48 Class 35B
Dimensions : All are in Inch

| ITEM# | DESCRIPTION |
|--------|--|
| 4470N | 30" EL PASO WATER UTILITIES RING & COVER |
| 4470CN | 30" EL PASO WATER UTILITIES COVER ONLY |
| 4470RN | 30" EL PASO WATER UTILITIES RING ONLY |

23 3/4" ALBUQUERQUE NEW MEXICO RING & COVER

ITEM # : 4500

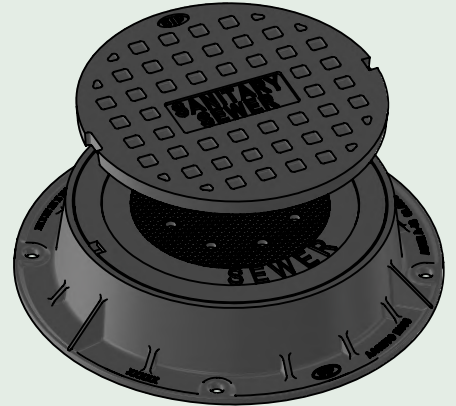
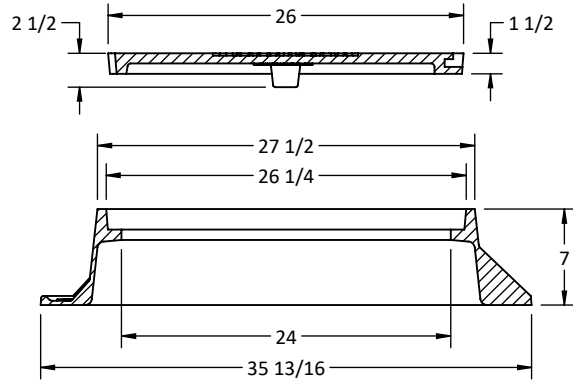


| ITEM # | DESCRIPTION |
|--------|--------------------------------------|
| 4500 | 23 3/4" ALBUQUERQUE NEW MEXICO R & C |
| 4500C | ALBUQUERQUE NEW MEXICO COVER ONLY |
| 4500R | 32" RING ONLY |

Load Rating : Heavy Duty (H-20/HS-20)
 Material : Cast Iron, ASTM A48 Class 30B
 Dimensions : All are in Inch

26" RING & COVER EQ. 1642

ITEM # : 4550 - 4550STM

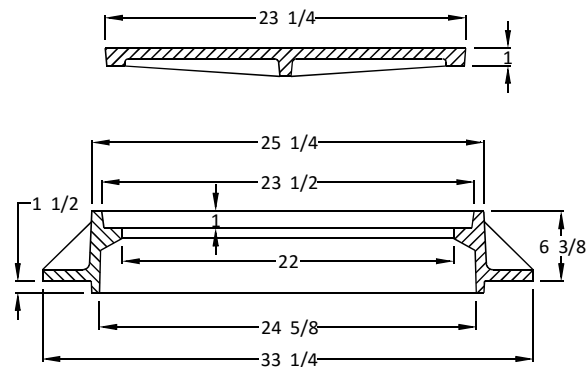


| ITEM # | DESCRIPTION |
|-----------|--|
| 4550 | 26" SANITARY SEWER RING & COVER EQ. 1642 |
| 4550C | 26" SANITARY SEWER COVER ONLY EQ. 1642 |
| 4550R | 26" RING ONLY EQ. 1642 |
| 4550STM | 26" STORM SEWER RING & COVER EQ. 1642 VENTED |
| 4550STM C | 26" STORM SEWER COVER ONLY EQ. 1642 VENTED |

Load Rating : Heavy Duty (AASHTO M306)
 Material : Cast Iron, ASTM A48 Class 35B
 Dimensions : All are in Inch

EQ. VM3 REGULAR RING & COVER

ITEM # : 4551

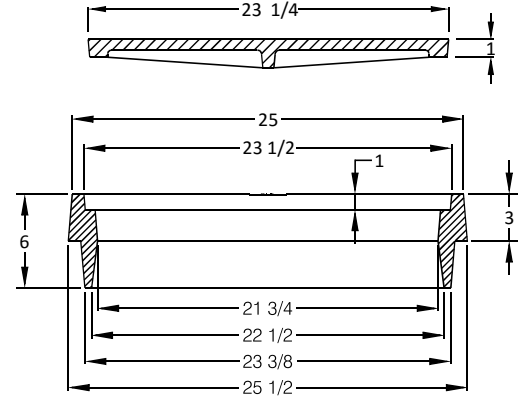


| ITEM # | DESCRIPTION |
|--------|-----------------------------|
| 4551 | EQ VM3 REGULAR RING & COVER |
| 4551C | EQ VM3 COVER ONLY |
| 4551R | EQ VM3 RING ONLY |

Load Rating : Heavy Duty (H-20/HS-20)
 Material : Cast Iron, ASTM A48 Class 30B
 Dimensions : All are in Inch

ITEM # : 4553

EQ. VM3 MODIFIED RING & COVER

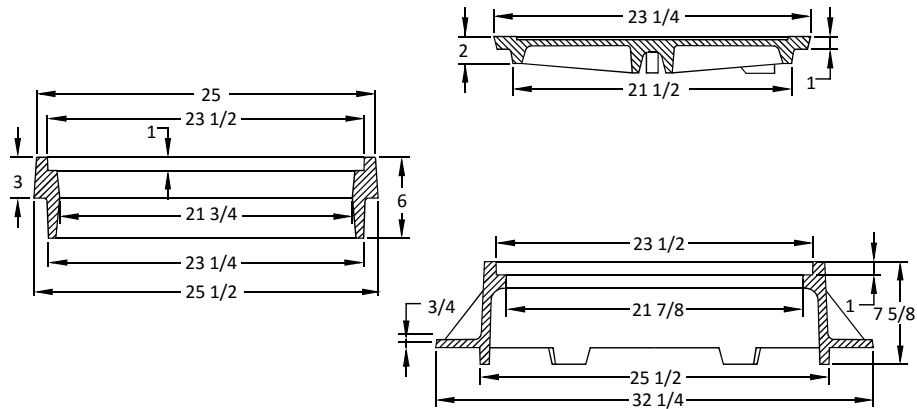


Load Rating : Heavy Duty (H-20/HS-20)
Material : Cast Iron, ASTM A48 Class 30B
Dimensions : All are in Inch

| ITEM # | DESCRIPTION |
|--------|------------------------------|
| 4553 | EQ VM3 MODIFIED RING & COVER |
| 4553C | EQ VM3 MODIFIED COVER ONLY |
| 4553R | EQ VM3 MODIFIED RING ONLY |

ITEM # : 4554D - 4556

EQ. VM3 REVISED COVER & 23 1/2" RAISED RING

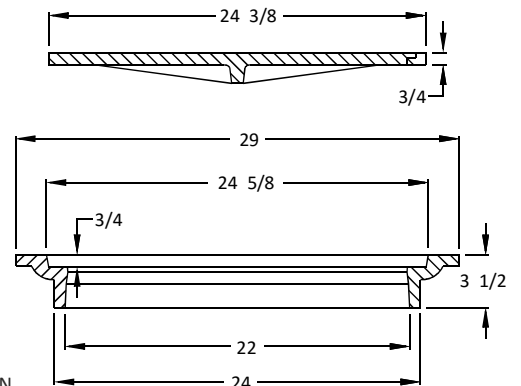


Load Rating : Heavy Duty (H-20/HS-20)
Material : Cast Iron, ASTM A48 Class 30B
Dimensions : All are in Inch

| ITEM # | DESCRIPTION |
|--------|--|
| 4554D | EQ VM3 REVISED DRAIN COVER & 23 1/2" RAISED RING |
| 4554DC | EQ VM3 REVISED DRAIN COVER ONLY |
| 4554S | EQ VM3 REVISED SEWER COVER & RING |
| 4554SC | EQ VM3 REVISED SEWER COVER ONLY |
| 4554W | EQ VM3 REVISED WATER COVER & RING |
| 4554WC | EQ VM3 REVISED WATER COVER ONLY |

ITEM # : 4555

PLAIN RING & COVER

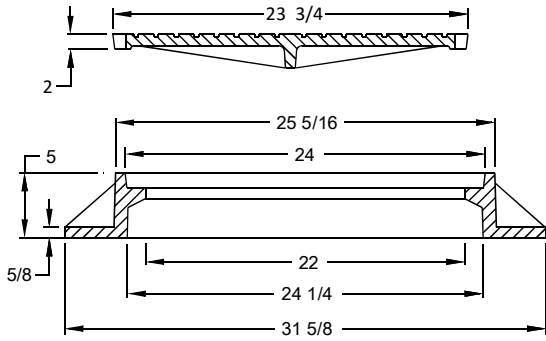


Load Rating : Heavy Duty (H-20/HS-20)
Material : Cast Iron, ASTM A48 Class 30B
Dimensions : All are in Inch

| ITEM # | DESCRIPTION |
|--------|--------------------|
| 4555 | PLAIN RING & COVER |
| 4555C | COVER ONLY |
| 4555R | 24" RING ONLY |

EQ. VM17 RING & COVER

ITEM # : 4557 - 4558

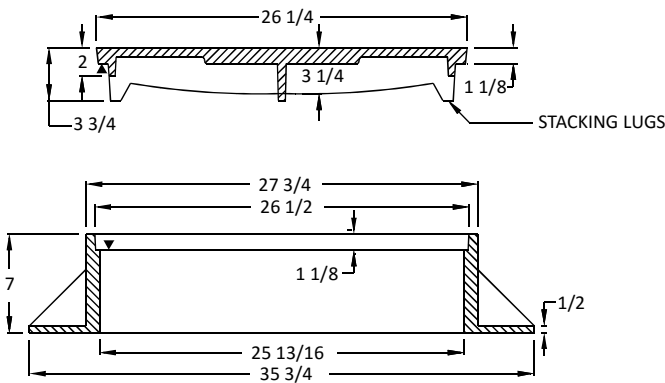


| ITEM # | DESCRIPTION |
|--------|---|
| 4557 | EQ VM17 RING & COVER |
| 4557R | EQ VM17 RING ONLY |
| 4557N | EQ VM17 RING & NEW COVER |
| 4558 | EQ VM17 COVER ONLY MARKED 'SEWER' 23.75" X 2" |
| 4558R | EQ VM17 SEWER COVER ONLY NON-PENETRATING PK HOLES |

Load Rating : Heavy Duty (H-20/HS-20)
Material : Cast Iron, ASTM A48 Class 30B
Dimensions : All are in Inch

EQ. V1115 - MS SEWER RING & COVER

ITEM # : 4570

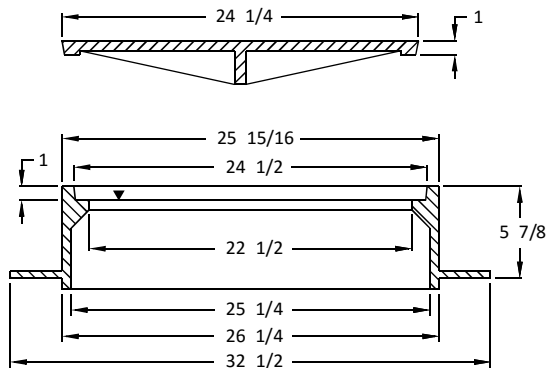


| ITEM # | DESCRIPTION |
|--------|---------------------------------|
| 4570 | MS SEWER RING & COVER EQ. V1115 |
| 4570C | MS SEWER COVER ONLY |
| 4570R | MS SEWER RING ONLY |

Load Rating : Heavy Duty (H-20/HS-20)
Material : Cast Iron, ASTM A48 Class 30B
Dimensions : All are in Inch

EQ. VM7 RING & COVER MH 2207

ITEM # : 4575

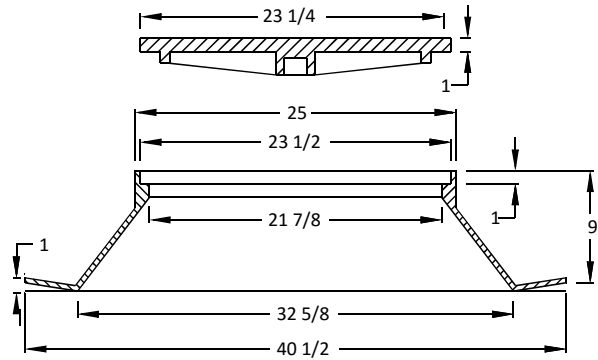


| ITEM # | DESCRIPTION |
|--------|------------------------------|
| 4575 | EQ. VM7 RING & COVER MH 2207 |
| 4575C | EQ. VM7 COVER ONLY |
| 4575R | EQ. VM7 RING ONLY |

Load Rating : Heavy Duty (H-20/HS-20)
Material : Cast Iron, ASTM A48 Class 30B
Dimensions : All are in Inch

ITEM # : 4580 - 4582

EQ. V1501 - LA FLARING RING & COVER

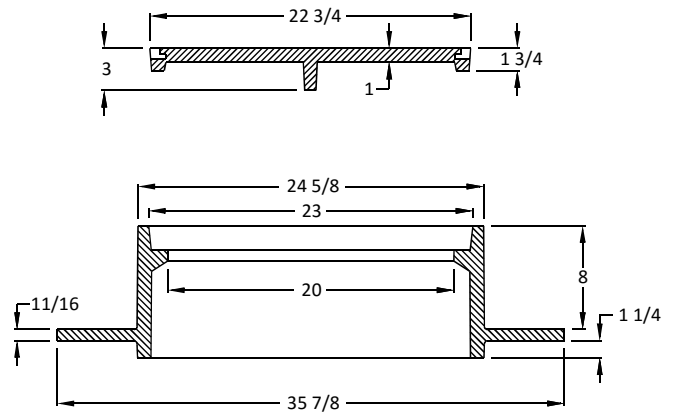


Load Rating : Heavy Duty (H-20/HS-20)
Material : Cast Iron, ASTM A48 Class 30B
Dimensions : All are in Inch

| ITEM # | DESCRIPTION |
|--------|---------------------------------|
| 4580 | LA FLARING RING & COVER "DRAIN" |
| 4580C | LA FLARING COVER ONLY "DRAIN" |
| 4580R | LA FLARING RING ONLY |
| 4581 | LA FLARING RING & COVER "SEWER" |
| 4581C | LA FLARING COVER ONLY "SEWER" |
| 4582 | LA FLARING RING & COVER "WATER" |
| 4582C | LA FLARING COVER ONLY "WATER" |

ITEM # : 4590

EQ. VM76 - MOBILE RING & SEWER COVER

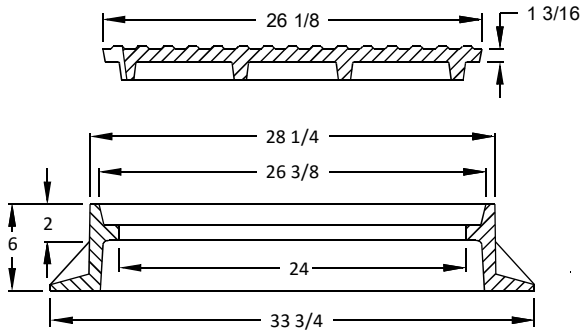


Load Rating : Heavy Duty (H-20/HS-20)
Material : Cast Iron, ASTM A48 Class 30B
Dimensions : All are in Inch

| ITEM # | DESCRIPTION |
|--------|------------------------------------|
| 4590 | MOBILE RING & COVER SEWER EQ. VM76 |
| 4590C | MOBILE SEWER COVER ONLY |
| 4590R | MOBILE RING ONLY |

24" CITY OF PHOENIX ARIZONA RING & COVER

ITEM # : 5025 - 5026

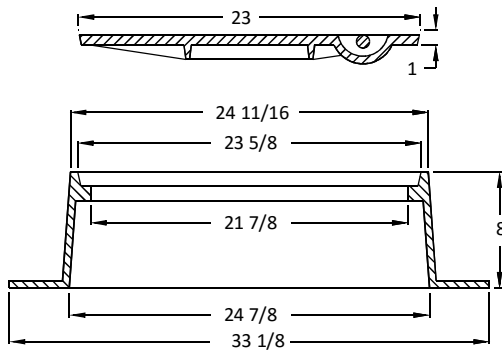


| ITEM # | DESCRIPTION |
|--------|---|
| 5025 | 24" CITY OF PHOENIX ARIZONA SANITARY R & C |
| 5025C | 24" CITY OF PHOENIX ARIZONA SANITARY COVER ONLY |
| 5025R | RING ONLY |
| 5026 | 24" CITY OF PHOENIX ARIZONA STORM R & C |
| 5026C | 24" CITY OF PHOENIX ARIZONA STORM COVER ONLY |

Load Rating : Heavy Duty (H-20/HS-20)
Material : Cast Iron, ASTM A48 Class 30B
Dimensions : All are in Inch

CITY OF TULSA RING & COVER

ITEM # : 5120

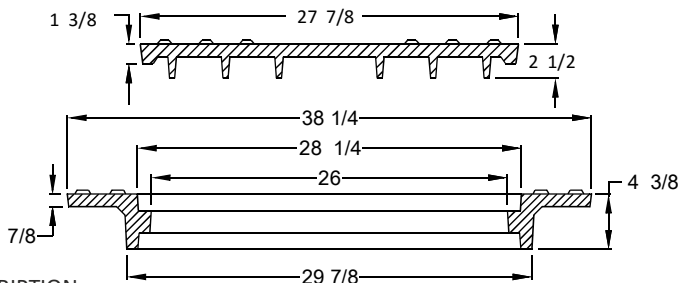


| ITEM # | DESCRIPTION |
|--------|----------------------------|
| 5120 | CITY OF TULSA RING & COVER |
| 5120C | CITY OF TULSA COVER ONLY |
| 5120R | RING ONLY |

Load Rating : Heavy Duty (H-20/HS-20)
Material : Cast Iron, ASTM A48 Class 30B
Dimensions : All are in Inch

OKLAHOMA CITY RING & COVER

ITEM # : 5150 - 5161

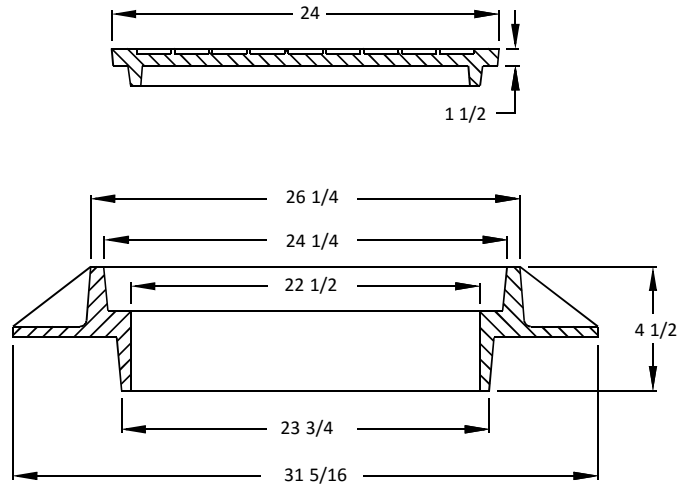


| ITEM # | DESCRIPTION |
|--------|--|
| 5150 | OKLAHOMA CITY R & C SANITARY SEWER |
| 5150C | OKLAHOMA CITY COVER ONLY SANITARY SEWER |
| 5150R | OKLAHOMA CITY RING ONLY |
| 5151 | OKLAHOMA CITY R & C STORM SEWER |
| 5151C | OKLAHOMA CITY COVER ONLY STORM SEWER |
| 5160 | PLAIN OKLAHOMA R & C SANITARY SEWER |
| 5160C | PLAIN OKLAHOMA COVER ONLY SANITARY SEWER |
| 5161 | PLAIN OKLAHOMA R & C STORM SEWER |
| 5161C | PLAIN OKLAHOMA COVER ONLY STORM SEWER |

Load Rating : Heavy Duty (H-20/HS-20)
Material : Cast Iron, ASTM A48 Class 30B
Dimensions : All are in Inch

ITEM # : 5200

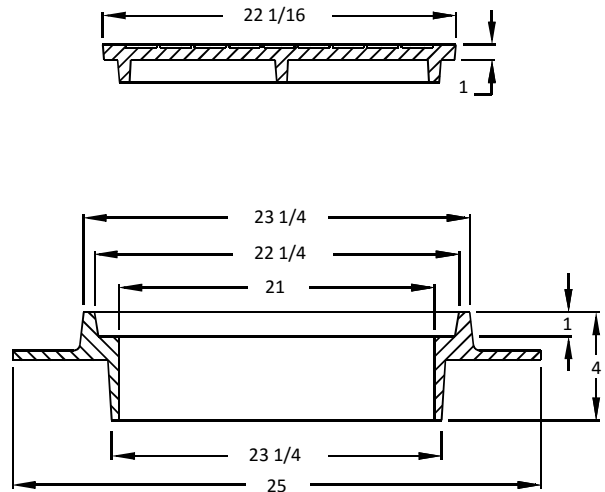
201 PLAIN 24" COVER 4.5" HIGH RING



Load Rating : Heavy Duty (H-20/HS-20)
Material : Cast Iron, ASTM A48 Class 30B
Dimensions : All are in Inch

ITEM # : 5205

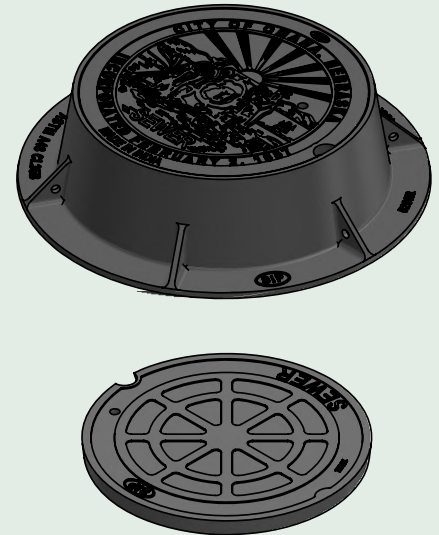
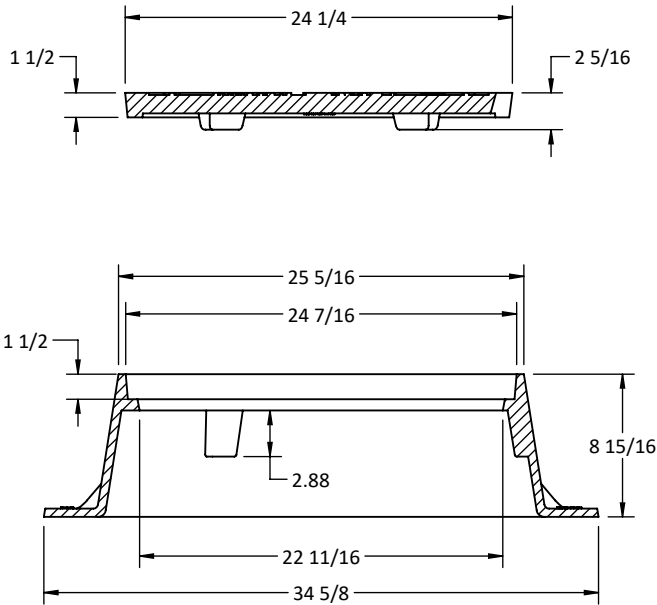
202 PLAIN SLAB STYLE 22" COVER 4" HIGH RING



Load Rating : Heavy Duty (H-20/HS-20)
Material : Cast Iron, ASTM A48 Class 30B
Dimensions : All are in Inch

24 1/4" OMAHA SEWER RING & COVER

ITEM # : 5206 - 5206P

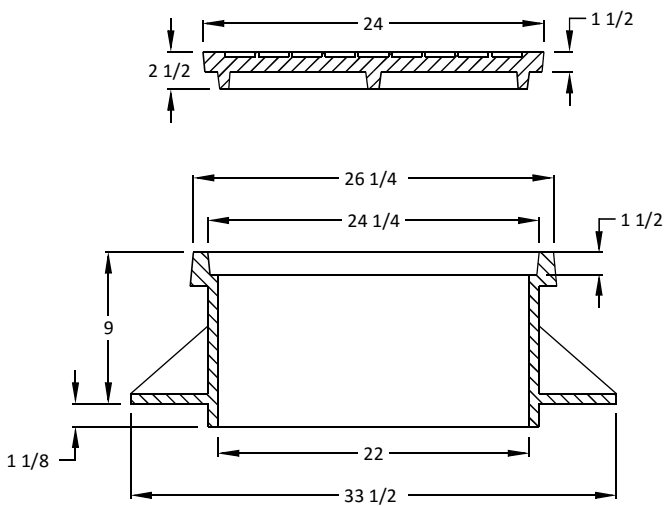


| ITEM # | DESCRIPTION |
|--------|--|
| 5206 | 24 1/4" OMAHA LOGO SEWER RING & COVER |
| 5206C | 24 1/4" OMAHA LOGO SEWER COVER ONLY |
| 5206P | 24 1/4" OMAHA PLAIN SEWER RING & COVER |
| 5206PC | 24 1/4" OMAHA PLAIN SEWER COVER ONLY |
| 5206R | 24 1/4" OMAHA SEWER RING ONLY |

Load Rating : Heavy Duty (H-20/HS-20)
 Material : Cast Iron, ASTM A48 Class 35B
 Dimensions : All are in Inch

207 PLAIN 24" COVER & 9" HIGH RING

ITEM # : 5210



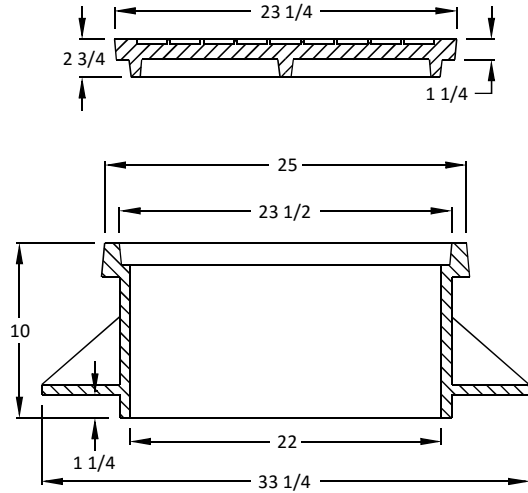
Load Rating : Heavy Duty (H-20/HS-20)
 Material : Cast Iron, ASTM A48 Class 30B
 Dimensions : All are in Inch

ITEM # : 5215

208 CITY OF BELTON 23 1/4" COVER 10" HIGH RING



Load Rating : Heavy Duty (H-20/HS-20)
Material : Cast Iron, ASTM A48 Class 30B
Dimensions : All are in Inch

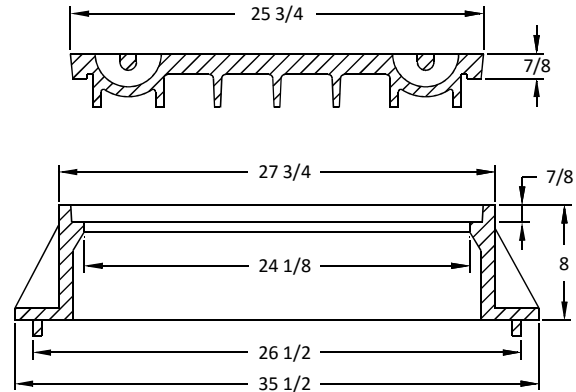


ITEM # : 5220 - 5225

WICHITA KANSAS SEWER DEPT. RING & COVER



Load Rating : Heavy Duty (H-20/HS-20)
Material : Cast Iron, ASTM A48 Class 30B
Dimensions : All are in Inch



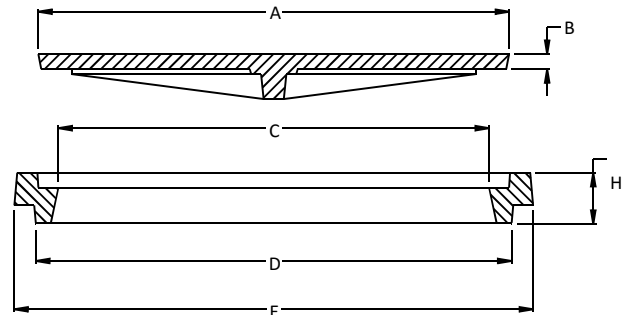
| ITEM # | DESCRIPTION |
|--------|--|
| 5220 | WICHITA KANSAS SEWER DEPT. HD RING & COVER |
| 5225 | WICHITA KANSAS SEWER DEPT. LD RING & COVER |
| 5225C | WICHITA KANSAS SEWER DEPT. LD COVER ONLY |

ITEM # : 5300 - 5305

NON -TRAFFIC FRAME & GRATE, TENNESSEE

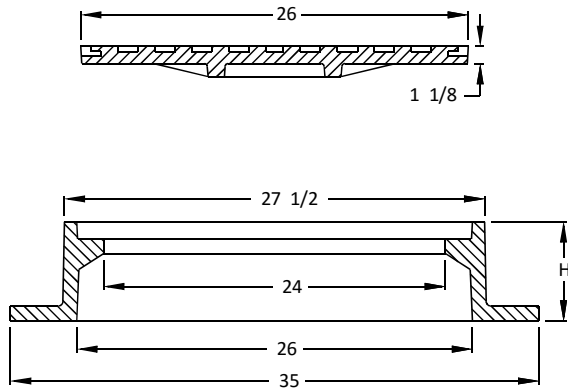


Load Rating : Non-Traffic (Sidewalks, Terraces)
Material : Cast Iron, ASTM A48 Class 30B
Dimensions : All are in Inch



| ITEM NO. | EQ. NO. | A | B | C | D | E | H |
|----------|---------|-----------------|-----|---------|-----------------|-----------------|-------|
| 5300 | V8438 | 21 3/4 X 13 3/4 | 5/8 | 12 X 20 | 14 X 21 3/4 | 16 X 24 | 2 1/4 |
| 5305 | V8435 | 31 1/2 X 14 1/2 | 5/8 | 13 X 30 | 14 1/2 X 31 1/4 | 16 3/4 X 33 3/4 | 2 1/2 |

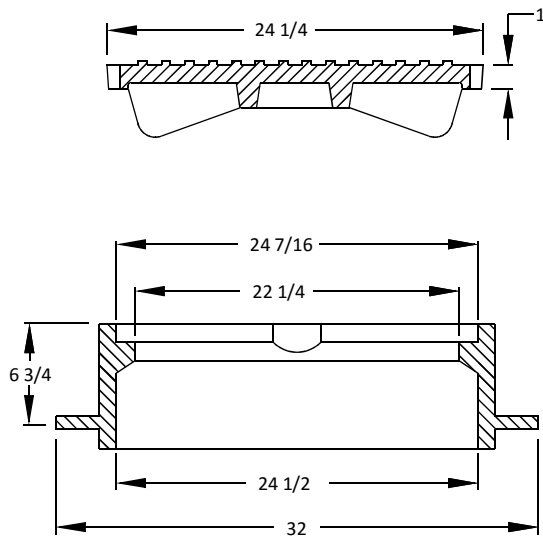
| ITEM # | DESCRIPTION |
|--------|--|
| 5300 | NON-TRAFFIC F&G 13 3/4" X 21 3/4", TENNESSEE |
| 5305 | NON-TRAFFIC F&G 14 1/2" X 31 1/2", TENNESSEE |



| ITEM # | DESCRIPTION |
|--------|---------------------------------------|
| 5330 | NASHVILLE RING & COVER 7.25" |
| 5330C | NASHVILLE COVER ONLY |
| 5330R | RING ONLY 7.25" |
| 5330H | NASHVILLE RING & COVER W/ 1" AMR HOLE |
| 5335 | NASHVILLE RING & COVER 6" |
| 5335C | NASHVILLE COVER ONLY |
| 5335R | RING ONLY 6" |

| ITEM NO. | H (inch) |
|----------|----------|
| 5330 | 7 1/4 |
| 5335 | 6 |

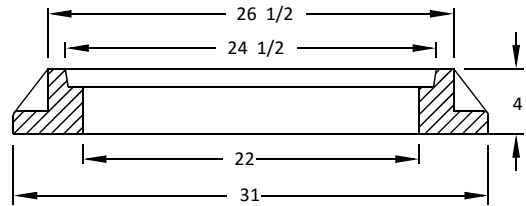
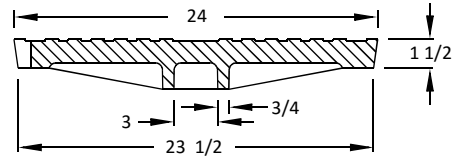
Load Rating : Heavy Duty (H-20/HS-20)
 Material : Cast Iron, ASTM A48 Class 30B
 Dimensions : All are in Inch



Load Rating : Heavy Duty (H-20/HS-20)
 Material : Cast Iron, ASTM A48 Class 30B
 Dimensions : All are in Inch

ITEM # : 5400

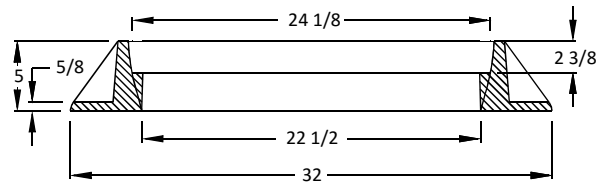
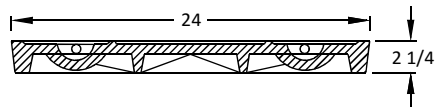
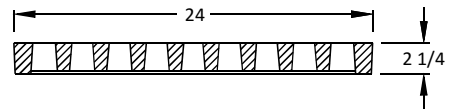
SD2 24" CITY OF LAS VEGAS RING & COVER



Load Rating : Heavy Duty (H-20/HS-20)
Material : Cast Iron, ASTM A48 Class 30B
Dimensions : All are in Inch

ITEM # : 5600 - 5604

#41 BOTTOM FLANGE RING, COVER & GRATE

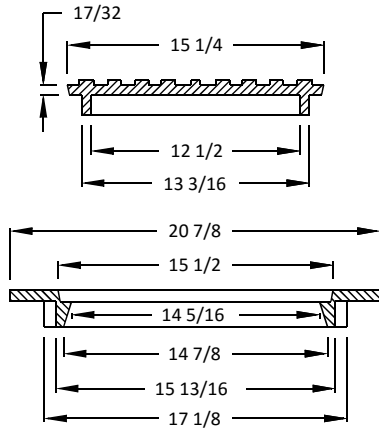


| ITEM # | DESCRIPTION |
|--------|----------------------------------|
| 5600 | #41 BOTTOM FLANGE RING & COVER |
| 5601 | #41 SANITARY SEWER COVER ONLY |
| 5602 | #41 STORM SEWER COVER ONLY |
| 5603 | #41 DRAIN GRATE |
| 5604 | #41 SANITARY SEWER COVER ONLY HD |

Load Rating : Heavy Duty (H-20/HS-20)
Material : Cast Iron, ASTM A48 Class 30B
Dimensions : All are in Inch

15 1/4" ASHEVILLE RING & LID

ITEM # : 5717

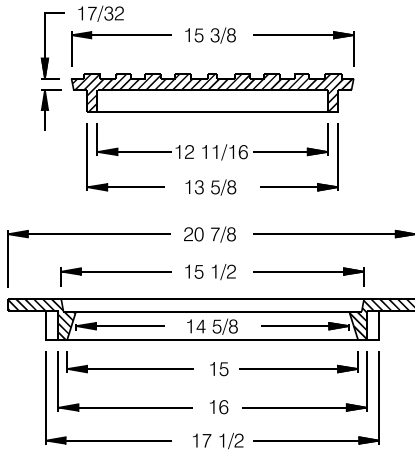


| ITEM # | DESCRIPTION |
|--------|------------------------|
| 5717 | ASHEVILLE RING & COVER |
| 5717C | ASHEVILLE COVER ONLY |
| 5717R | ASHEVILLE RING ONLY |

Load Rating : Heavy Duty (H-20/HS-20)
Material : Cast Iron, ASTM A48 Class 30B
Dimensions : All are in Inch

15 3/8" ASHEVILLE RING & LID

ITEM # : 5730

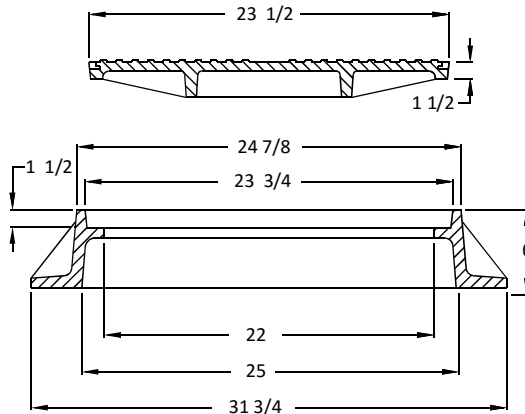


| ITEM # | DESCRIPTION |
|--------|------------------------|
| 5717 | ASHEVILLE RING & COVER |
| 5717C | ASHEVILLE COVER ONLY |
| 5717R | ASHEVILLE RING ONLY |

Load Rating : Heavy Duty (H-20/HS-20)
Material : Cast Iron, ASTM A48 Class 30B
Dimensions : All are in Inch

EQ 250-24 SANITARY SEWER RING & COVER

ITEM # : 5801 - 5806

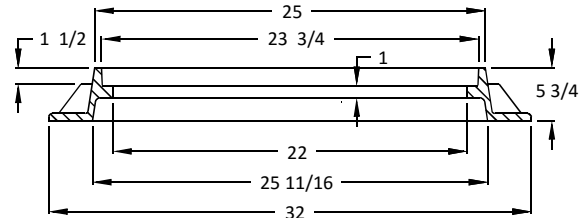
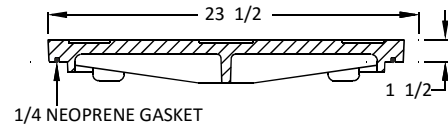


| ITEM # | DESCRIPTION |
|--------|--|
| 5801 | EQ 250-24 SANITARY SEWER COVER ONLY 2 PICK SLOTS |
| 5802 | EQ 250-24 RING ONLY |
| 5803 | EQ 250-24 SANITARY SEWER RING & 2 PICK SLOTS COVER |
| 5805 | EQ 250-24 SAN. SEWER R & C W/1 PICK BAR & 1 PICK SLOT |
| 5806 | EQ 250-24 SAN. SEWER COVER ONLY W/1 PICK BAR & 1 PICK SLOT |

Load Rating : Heavy Duty (H-20/HS-20)
Material : Cast Iron, ASTM A48 Class 30B
Dimensions : All are in Inch

ITEM # : 5807

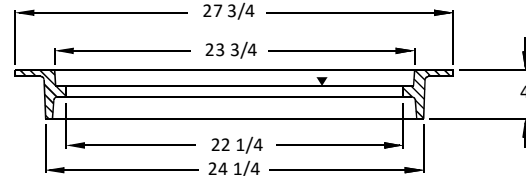
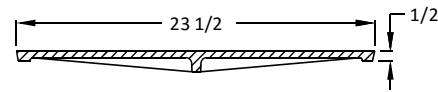
24" LITTLE ROCK RING & COVER



Load Rating : Heavy Duty (H-20/HS-20)
Material : Cast Iron, ASTM A48 Class 30B
Dimensions : All are in Inch

ITEM # : 5898 - 5899

EQ 125-24 C109 RING & COVER

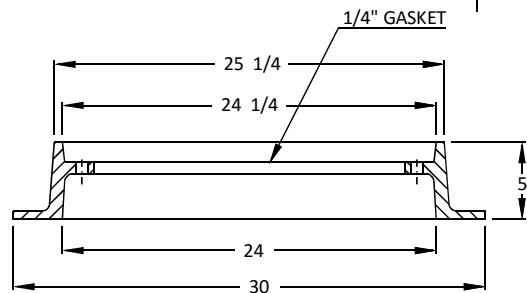
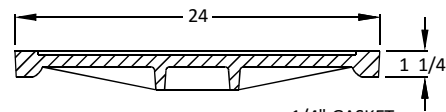


Load Rating : Non-Traffic (Sidewalks, terraces)
Material : Cast Iron, ASTM A48 Class 30B
Dimensions : All are in Inch

| ITEM # | DESCRIPTION |
|--------|---|
| 5898 | EQ 125-24 COVER ONLY |
| 5898N | EQ 125-24 C109 RING & COVER |
| 5899 | EQ 125-24 RING ONLY |
| 5899N | EQ 125-24 COVER ONLY NO VENT HOLES (NEW) |
| 5899R | EQ 125-24 C109 RING & COVER NO VENT HOLES |

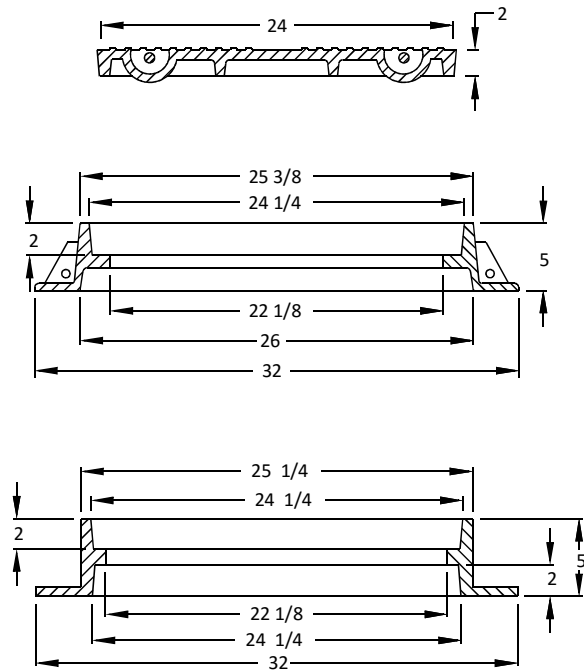
ITEM # : 5908

EQ 300-24 SEWER WATER TIGHT RING & COVER



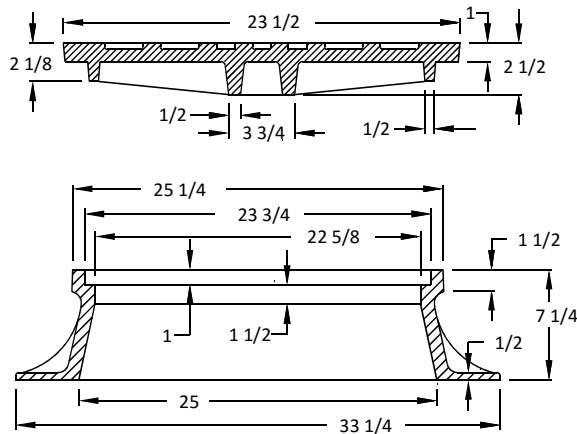
Load Rating : Heavy Duty (H-20/HS-20)
Material : Cast Iron, ASTM A48 Class 30B
Dimensions : All are in Inch

| ITEM # | DESCRIPTION |
|--------|--|
| 5908 | EQ 300-24 RING & SEWER COVER WATER TIGHT |
| 5908C | EQ 300-24 SEWER COVER ONLY TIGHT |
| 5908R | EQ 300-24 RING ONLY WATER TIGHT |



| ITEM # | DESCRIPTION |
|--------|---|
| 5900 | EQ 300-24 SANITARY SEWER RING & COVER |
| 5901 | EQ 300-24 SANITARY SEWER COVER ONLY |
| 5904 | EQ 300-24 STORM SEWER RING & COVER |
| 5905 | EQ 300-24 STORM SEWER COVER ONLY |
| 5906 | EQ 300-24 RING ONLY |
| 5907 | EQ 300-24 WATER RING & COVER |
| 5907C | EQ 300-24 WATER COVER ONLY |
| 5909 | EQ 300-24 REVERSIBLE STORM SEWER R & C |
| 5910 | EQ 300-24 REVERSIBLE SANITARY SEWER R & C |
| 5911 | EQ 300-24 REVERSIBLE RING ONLY |

Load Rating : Heavy Duty (H-20/HS-20)
Material : Cast Iron, ASTM A48 Class 30B
Dimensions : All are in Inch

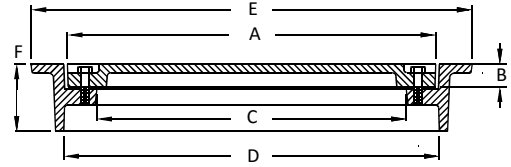


| ITEM # | DESCRIPTION | ITEM # | DESCRIPTION |
|--------|---------------------------------|--------|----------------------------------|
| 5995 | EQ RCR 2001 - 4 VENT HOLE R&C | 5996 | EQ RCR 2001 - SOLID R&C NO VENT |
| 5995C | EQ RCR 2001 - 4 VENT HOLE COVER | 5996C | EQ RCR 2001 - COVER WITH NO VENT |
| 5995R | EQ RCR 2001 - RING ONLY | 5996R | EQ RCR 2001 - SOLID RING ONLY |

Load Rating : Heavy Duty (H-20/HS-20)
Material : Cast Iron, ASTM A48 Class 30B
Dimensions : All are in Inch

ITEM # : 6530 - 6531

EQ. NF6461 - WATER TIGHT CAST IRON RING & COVER



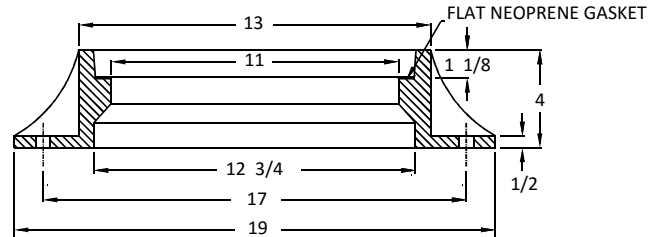
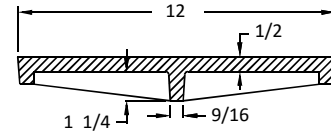
| ITEM | EQ. NO. | A | B | C | D | E | F |
|------|------------|--------|-------|--------|--------|--------|---|
| 6530 | NF-6461-DH | 18 1/4 | 1 1/2 | 14 1/2 | 18 1/2 | 22 1/2 | 4 |
| 6531 | NF-6461-EH | 22 1/4 | 1 1/2 | 18 1/2 | 22 1/2 | 26 1/2 | 4 |

Load Rating : Heavy Duty (H-20/HS-20)
Material : Cast Iron, ASTM A48 Class 30B
Dimensions : All are in Inch

| ITEM # | DESCRIPTION |
|--------|---------------------------------------|
| 6530 | DH CAST IRON RING & COVER WATER TIGHT |
| 6530C | DH CAST IRON COVER ONLY WATER TIGHT |
| 6530R | DH RING ONLY WATER TIGHT |
| 6531 | EH CAST IRON RING & COVER WATER TIGHT |
| 6531C | EH CAST IRON COVER ONLY WATER TIGHT |
| 6531R | EH CAST IRON RING ONLY WATER TIGHT |

ITEM # : 6533

EQ. NF1916A - 12" DIA. WATER TIGHT RING & COVER

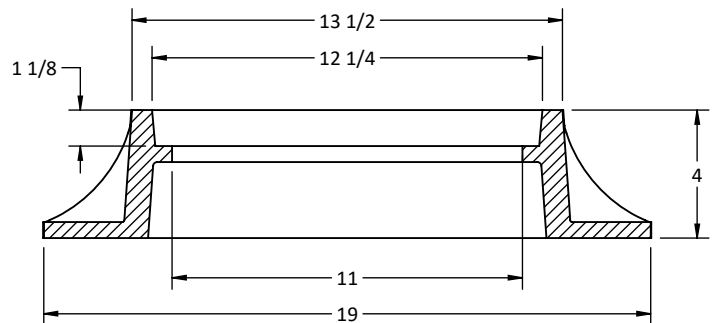
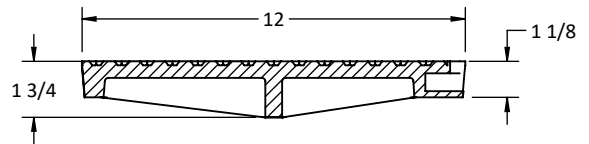
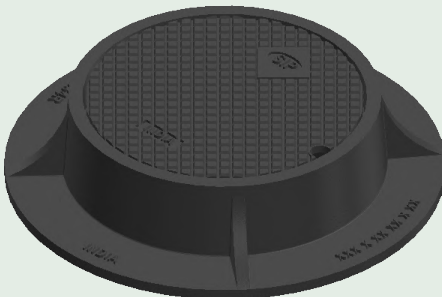


Load Rating : Heavy Duty (H-20/HS-20)
Material : Cast Iron, ASTM A48 Class 30B
Dimensions : All are in Inch

| ITEM # | DESCRIPTION |
|--------|------------------------------|
| 6533 | 12" WATER TIGHT RING & COVER |
| 6533C | 12" WATER TIGHT COVER ONLY |
| 6533R | WATER TIGHT RING ONLY |

ITEM # : 6534

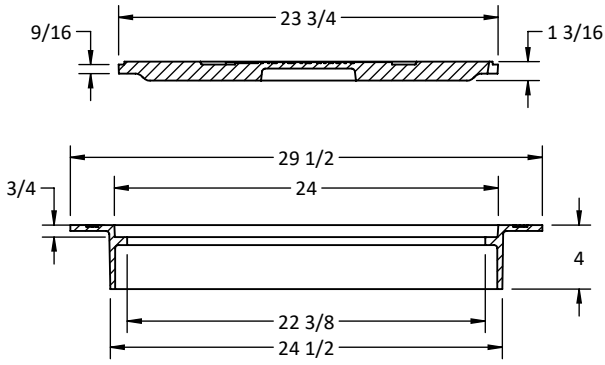
12" RING & COVER



Load Rating : Heavy Duty (H-20/HS-20)
Material : Cast Iron, ASTM A48 Class 30B
Dimensions : All are in Inch

EQ. 1259 RING & COVER

ITEM # : 6910 - 6910V

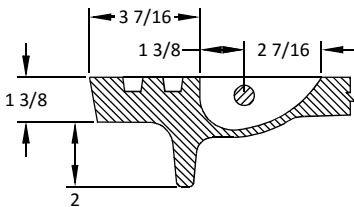
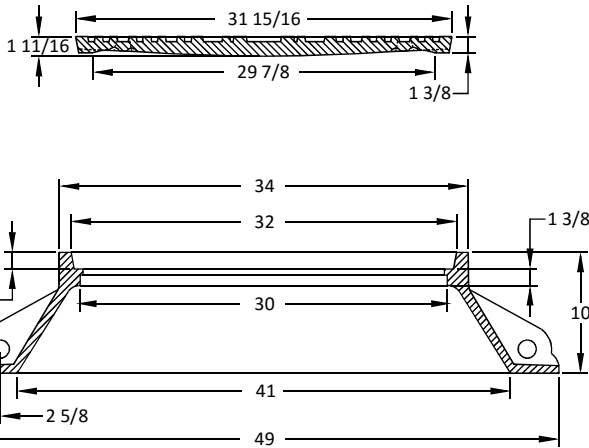


| ITEM # | DESCRIPTION |
|--------|-------------------------------------|
| 6910 | EQ. 1259 RING & SOLID COVER |
| 6910C | EQ. 1259 SOLID COVER ONLY |
| 6910R | EQ. 1259 RING ONLY |
| 6910V | EQ. 1259 RING & COVER W/ VENT HOLES |
| 6910VC | EQ. 1259 COVER ONLY W/ VENT HOLES |

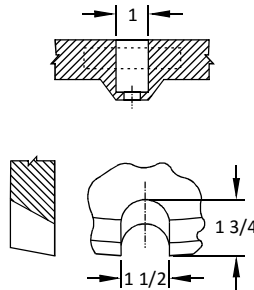
Load Rating : Heavy Duty (H-20/HS-20)
 Material : Cast Iron, ASTM A48 Class 30B
 Dimensions : All are in Inch

30 B MANHOLE RING & COVER

ITEM # : 7000 - 7004



PICK BAR DETAILS



PICK SLOT DETAILS

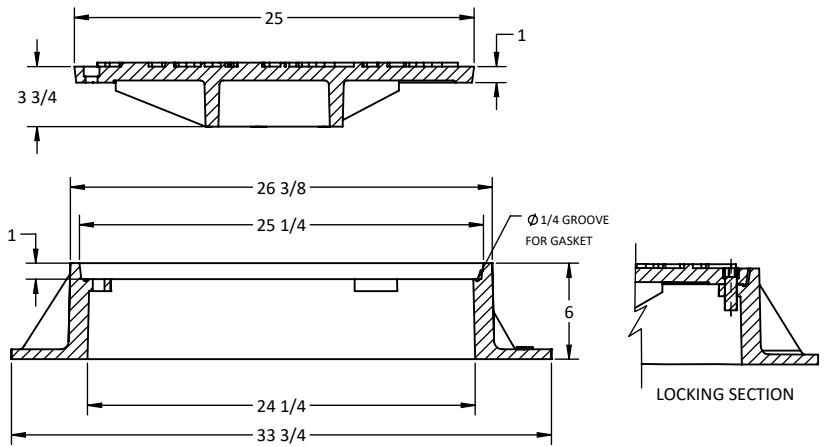
| ITEM # | DESCRIPTION |
|--------|---------------------|
| 7000 | 30 B RING & COVER |
| 7001 | AT & T RING & COVER |
| 7002 | 30 B RING ONLY |
| 7004 | 30 B COVER ONLY |

Load Rating : Heavy Duty (H-20/HS-20)
 Material : Cast Iron, ASTM A48 Class 30B
 Dimensions : All are in Inch



ITEM # : 7204D-L

24" X 6" DRAIN LOCKING RING & COVER EQ. MH30A

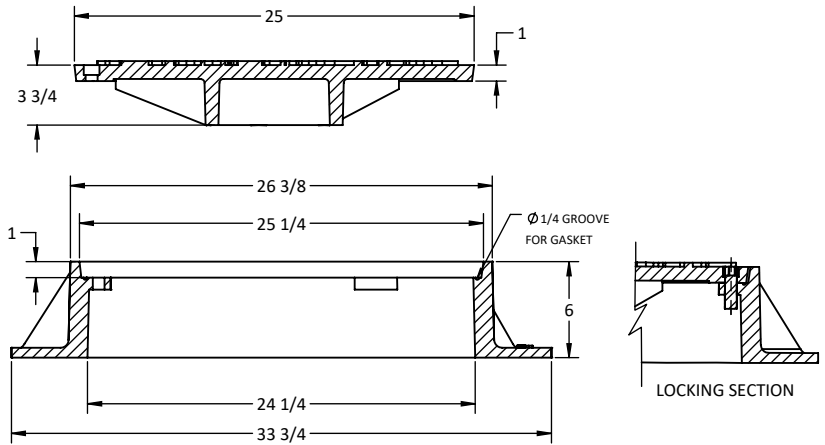


Load Rating : Heavy Duty (H-20/HS-20)
Material : Cast Iron, ASTM A48 Class 30B
Dimensions : All are in Inch

| ITEM # | DESCRIPTION |
|----------|---|
| 7204D-L | 24" X 6" DRAIN LOCKING RING & COVER EQ. MH30A |
| 7204-LR | 24" X 6" DRAIN LOCKING RING ONLY EQ. MH30A |
| 7204D-LC | 24" X 6" DRAIN LOCKING COVER ONLY EQ. MH30A |

ITEM # : 7204SWR-L

24" X 6" SEWER LOCKING RING & COVER EQ. MH30A

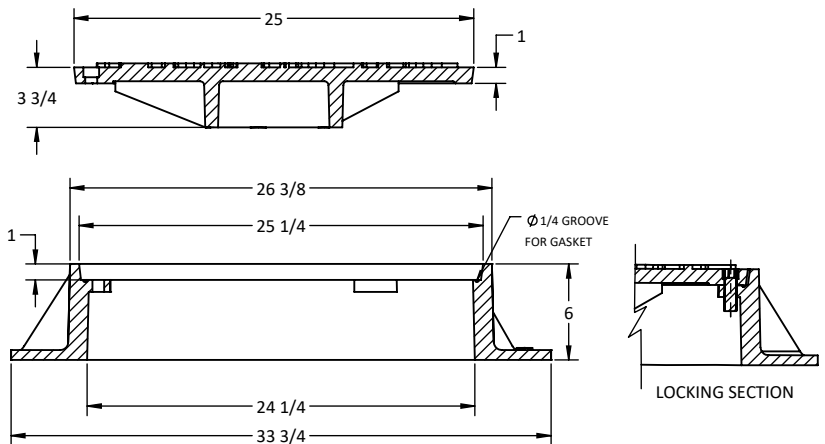


Load Rating : Heavy Duty (H-20/HS-20)
Material : Cast Iron, ASTM A48 Class 30B
Dimensions : All are in Inch

| ITEM # | DESCRIPTION |
|------------|---|
| 7204SWR-L | 24" X 6" SEWER LOCKING RING & COVER EQ. MH30A |
| 7204-LR | 24" X 6" SEWER LOCKING RING ONLY EQ. MH30A |
| 7204SWR-LC | 24" X 6" SEWER LOCKING COVER ONLY EQ. MH30A |

ITEM # : 7204V-L

24" X 6" SEWER LOCKING RING & COVER W/ VENT HOLES EQ. MH30A

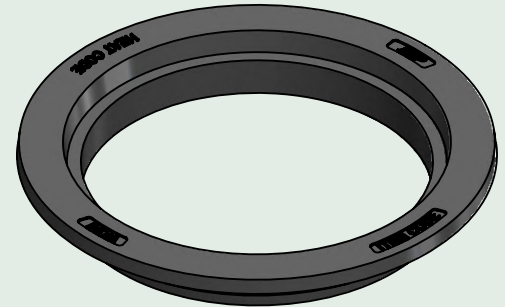
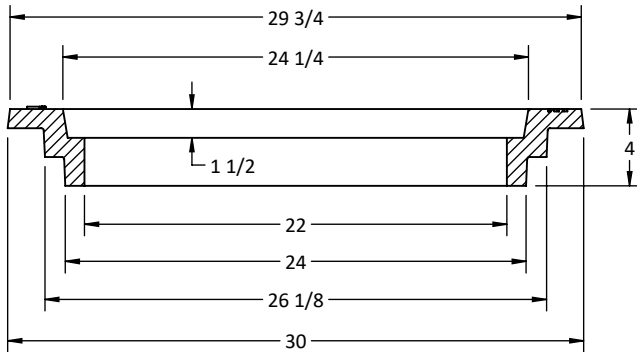


Load Rating : Heavy Duty (H-20/HS-20)
Material : Cast Iron, ASTM A48 Class 30B
Dimensions : All are in Inch

| ITEM # | DESCRIPTION |
|----------|---|
| 7204V-L | 24" X 6" SEWER LOCKING RING & COVER W/ VENT HOLES EQ. MH30A |
| 7204-LR | 24" X 6" SEWER LOCKING RING ONLY EQ. MH30A |
| 7204V-LC | 24" X 6" SEWER LOCKING COVER ONLY W/ VENT HOLES EQ. MH30A |

22" X 4" FLANGE UP RING ONLY

ITEM # : 7402



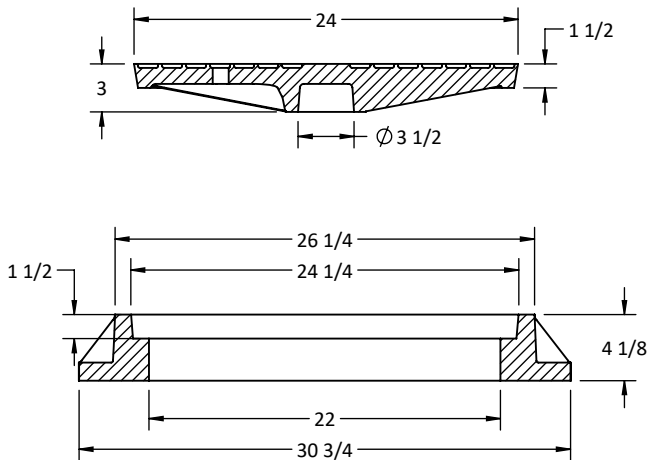
Load Rating : Heavy Duty (H-20/HS-20)

Material : Cast Iron, ASTM A48 Class 30B

Dimensions : All are in Inch

22" X 4" FLANGE DOWN RING & COVER EQ. MH19

ITEM # : 7404



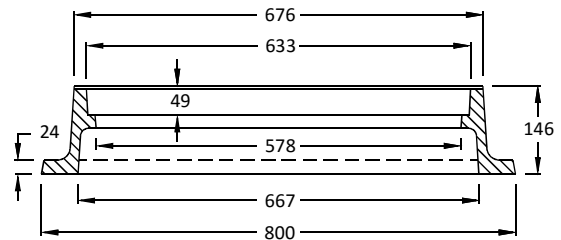
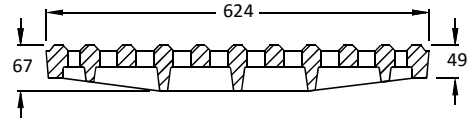
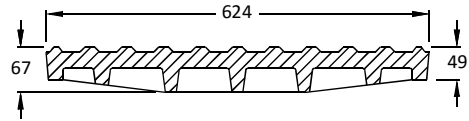
ITEM# DESCRIPTION

- 7404 22" X 4" FLANGE DOWN RING & COVER EQ. MH19
- 7404CD 24" STORM DRAIN COVER ONLY EQ. MH19
- 7404CS 24" SANITARY SEWER COVER ONLY EQ. MH19
- 7404CW 24" WATER COVER ONLY EQ. MH19
- 7404R 22" X 4" FLANGE DOWN RING ONLY EQ. MH19

Load Rating : Heavy Duty (H-20/HS-20)

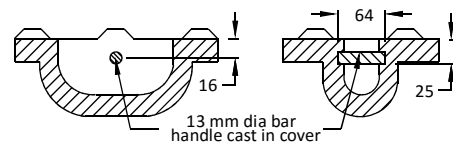
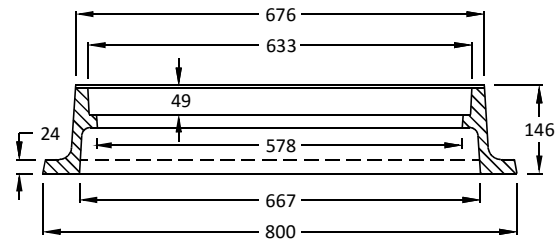
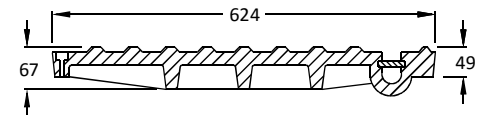
Material : Cast Iron, ASTM A48 Class 30B

Dimensions : All are in Inch



Load Rating : Heavy Duty (H-20/HS-20)
Material : Cast Iron, ASTM A48 Class 30B
Dimensions : All are in Inch

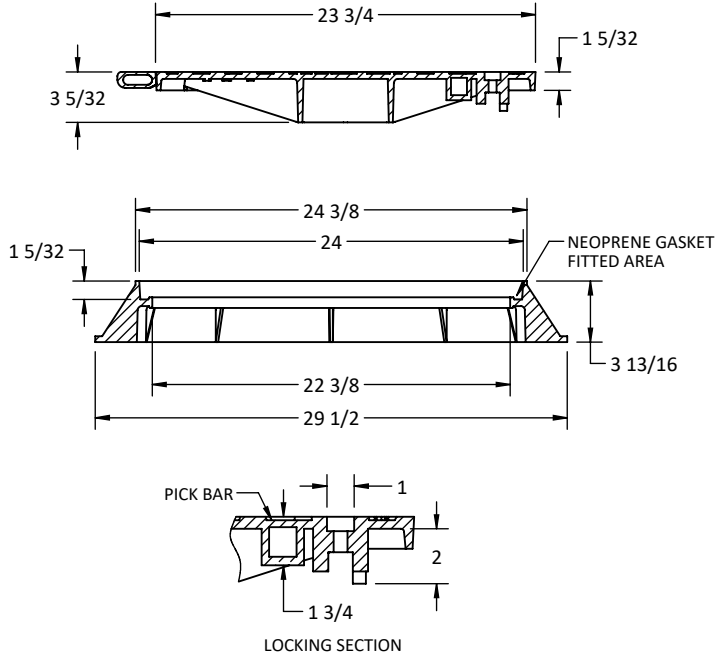
| ITEM # | DESCRIPTION |
|--------|---|
| CN5500 | CANADA CI RING & COVER SEWER / DANGER 401.01 |
| CN5501 | CANADA CI RING & COVER SANITARY / DANGER 401.01 |
| CN5502 | CANADA CI RING & COVER STORM / DANGER 401.01 |
| CN5505 | CANADA CI MANHOLE OPEN COVER 401.01 TYPE B |



Load Rating : Heavy Duty (H-20/HS-20)
Material : Cast Iron, ASTM A48 Class 30B
Dimensions : All are in Inch

23 3/4" PANAMA RING & COVER

ITEM # : PA 7515 - 7525

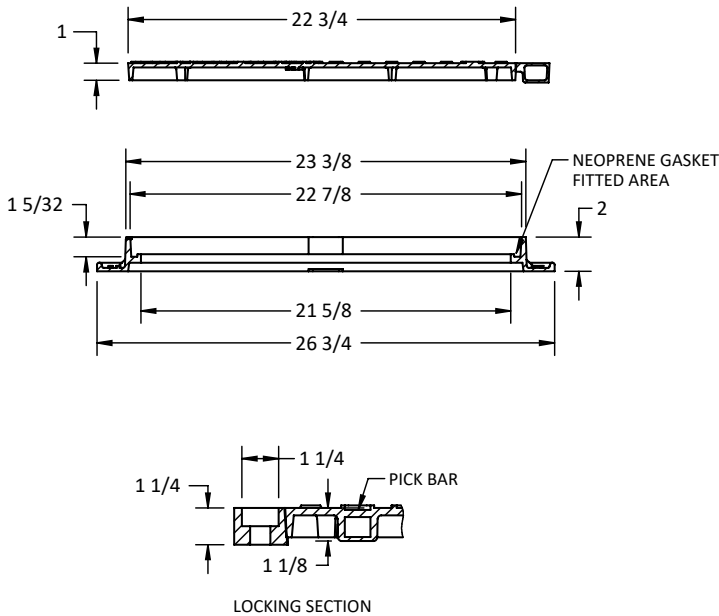


| ITEM # | DESCRIPTION |
|--------|--|
| PA7515 | 23 3/4" PANAMA RING & COVER - PLUVIAL |
| PA7520 | 23 3/4" PANAMA RING & COVER - ALCANTARILLADO |
| PA7525 | 23 3/4" PANAMA RING & COVER - ACUEDUCTO |

Load Rating : Heavy Duty (H-20/HS-20)
Material : Ductile Iron, ASTM A536
Dimensions : All are in Inch

22 7/8" PANAMA RING & COVER

ITEM # : PA 7530 - 7535



| ITEM # | DESCRIPTION |
|--------|---|
| PA7530 | 22 7/8" PANAMA RING & COVER - ACUEDUCTO |
| PA7535 | 22 7/8" PANAMA RING & COVER - PLUVIAL |

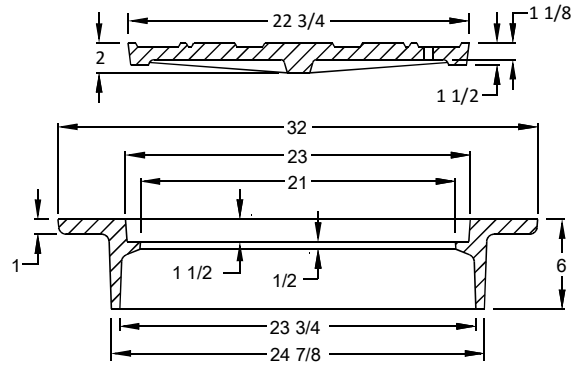
Load Rating : Heavy Duty (H-20/HS-20)
Material : Ductile Iron, ASTM A536
Dimensions : All are in Inch

ITEM # : PR 7510 - 7520

PUERTO RICO MH PRASA RING & COVER



Load Rating : Heavy Duty (H-20/HS-20)
Material : Cast Iron, ASTM A48 Class 30B
Dimensions : All are in Inch



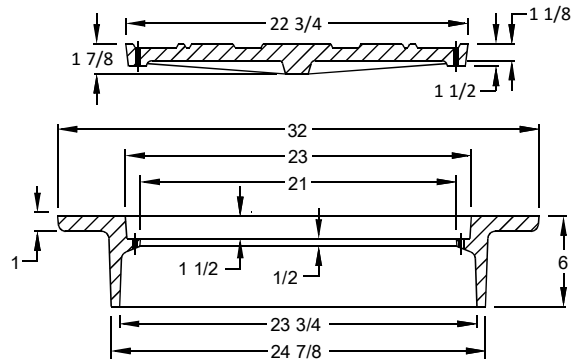
| ITEM # | DESCRIPTION |
|---------|---|
| PR7510 | PUERTO RICO MH SEWER PRASA RING & COVER |
| PR7510C | PUERTO RICO MH SEWER PRASA COVER ONLY |
| PR7510R | PUERTO RICO MH RING ONLY |
| PR7520 | PUERTO RICO MH STORM SEWER RING & COVER |
| PR7520C | PUERTO RICO MH STORM SEWER COVE ONLY |

ITEM # : PR 7515 - 7525

PUERTO RICO MH PRASA RING & COVER WATER TIGHT



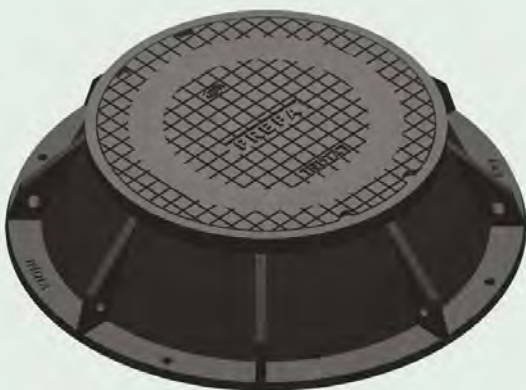
Load Rating : Heavy Duty (H-20/HS-20)
Material : Cast Iron, ASTM A48 Class 30B
Dimensions : All are in Inch



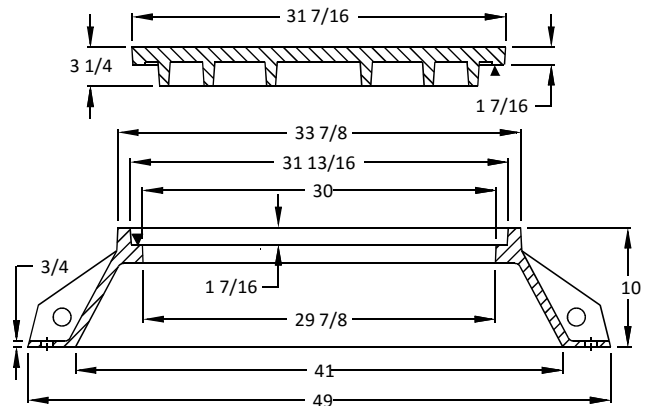
| ITEM # | DESCRIPTION |
|---------|--|
| PR7515 | PUERTO RICO MH SEWER PRASA RING & COVER W.T. |
| PR7515C | PUERTO RICO MH SEWER PRASA COVER ONLY W.T. |
| PR7515R | PUERTO RICO MH RING ONLY |
| PR7525 | PUERTO RICO MH STORM SEWER RING & COVER W.T. |
| PR7525C | PUERTO RICO MH STORM SEWER COVER ONLY W.T. |

ITEM # : PR 7535

PUERTO RICO 32" PREPA RING & COVER



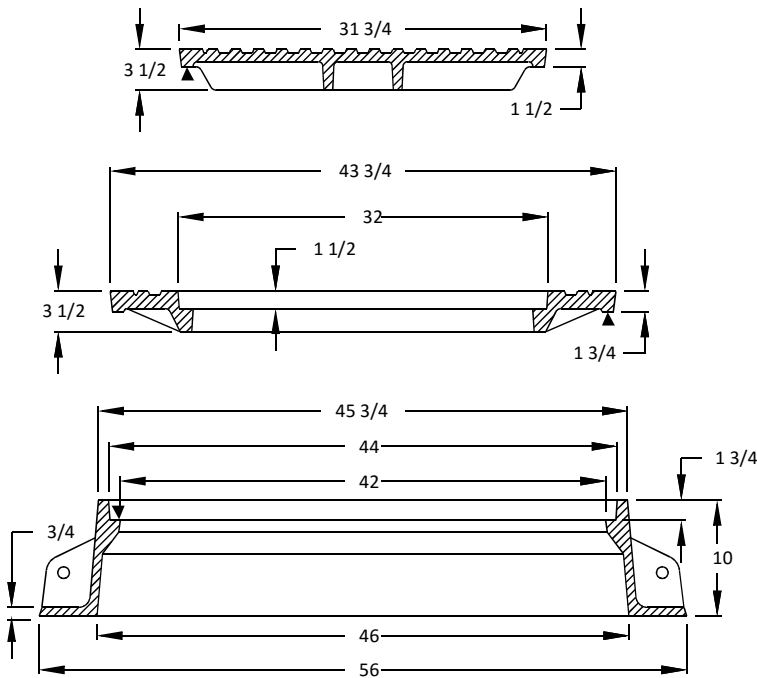
Load Rating : Heavy Duty (H-20/HS-20)
Material : Cast Iron, ASTM A48 Class 30B
Dimensions : All are in Inch



| ITEM # | DESCRIPTION |
|---------|------------------------------------|
| PR7535 | PUERTO RICO 32" PREPA RING & COVER |
| PR7535C | PUERTO RICO 32" PREPA COVER ONLY |
| PR7535R | PUERTO RICO 32" PREPA RING ONLY |

PUERTO RICO 44" AEE DOUBLE COVER & RING

ITEM # : PR 7540

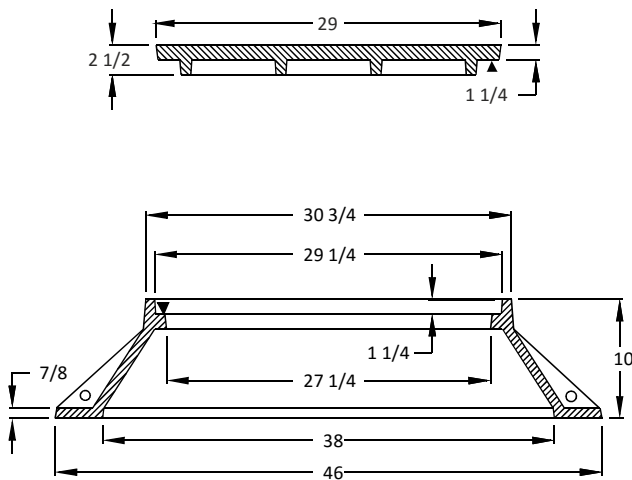


| ITEM # | DESCRIPTION |
|---------|---|
| PR7540 | PUERTO RICO 44" AEE DOUBLE COVER & RING |
| PR7540C | PUERTO RICO 44" AEE DOUBLE COVER ONLY |
| PR7540R | PUERTO RICO 44" AEE DOUBLE RING ONLY |

Load Rating : Heavy Duty (H-20/HS-20)
Material : Cast Iron, ASTM A48 Class 30B
Dimensions : All are in Inch

PUERTO RICO 29" RING & TELEPHONE COVER

ITEM # : PR 7545

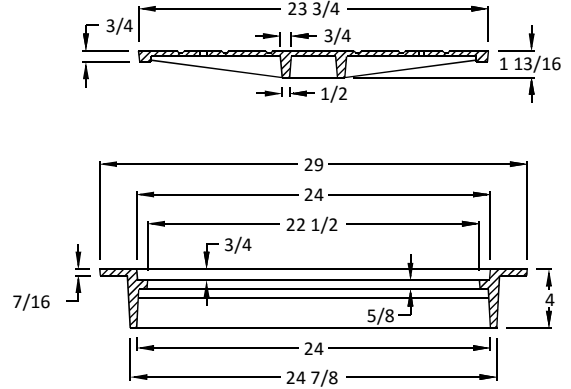


| ITEM # | DESCRIPTION |
|---------|---|
| PR7545 | PUERTO RICO 29" PR TELEPHONE RING & COVER |
| PR7545C | PUERTO RICO 29" PR TELEPHONE COVER ONLY |
| PR7545R | PUERTO RICO 29" PR TELEPHONE RING ONLY |

Load Rating : Heavy Duty (H-20/HS-20)
Material : Cast Iron, ASTM A48 Class 30B
Dimensions : All are in Inch

ITEM # : USF 6909 - 6910

EQ. 1259BP RING & COVER

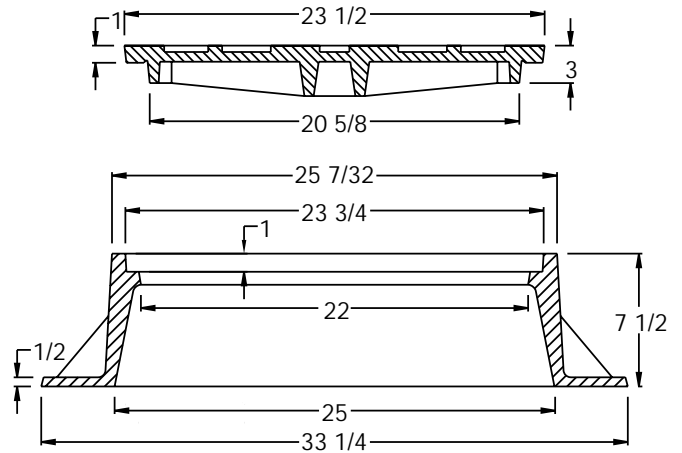


Load Rating : Heavy Duty (H-20/HS-20)
Material : Cast Iron, ASTM A48 Class 30B
Dimensions : All are in Inch

| ITEM # | DESCRIPTION |
|---------|---------------------------------------|
| USF6909 | RING & COVER 1259BP |
| USF6910 | EQ 1259BP RING & COVER w/4 VENT HOLES |

ITEM # : USF 6937 - 6941

669 RING & KI COVER A4693

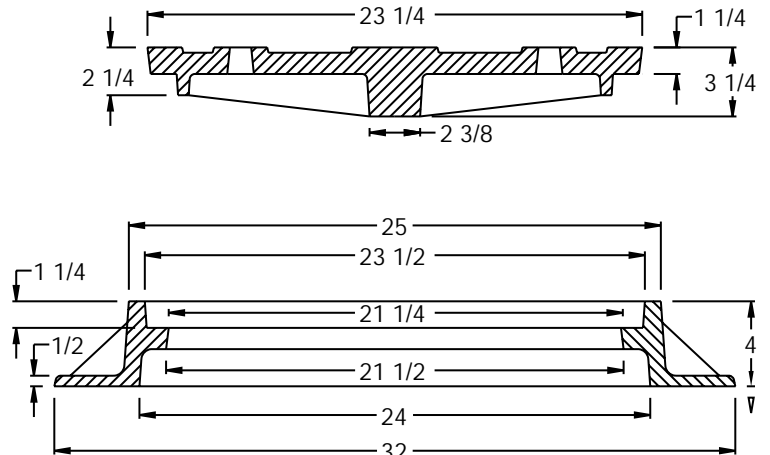


Load Rating : Heavy Duty (H-20/HS-20)
Material : Cast Iron, ASTM A48 Class 30B
Dimensions : All are in Inch

| ITEM # | DESCRIPTION |
|---------|---|
| USF6937 | 669 RING & COVER A4693 |
| USF6941 | 669 RING & KI COVER W/ VENT HOLES A4694 |

ITEM # : USF 6953 - 6957

250 RING & DB COVER W/ VENT HOLE A4697



Load Rating : Heavy Duty (H-20/HS-20)
Material : Cast Iron, ASTM A48 Class 30B/35B
Dimensions : All are in Inch

| ITEM # | DESCRIPTION |
|---------|---|
| USF6953 | 250 RING & DB COVER W/ VENT HOLE A 4697 |
| USF6957 | 250 RING & DB COVER W/ VENT HOLE A4697 CL35 |



SIP Industries

Quality Manufacturers Since 1960



PRODUCT LINE

AWWA DI Fittings & Accessories

- C153 Compact MJ Fittings and Acc. 2" - 64"
- C110 Full Body MJ Fittings 2" - 64"
- C153 Trim Tyton® Push-On Fittings 4" - 24"
- C110 Flange Fittings 2" - 64"
- MJ x MJ Adapter for Connecting MJ Bells 3" - 24"
- Stainless Steel & Blue T-Bolts
- Made in India, China & Mexico
- Bare, Cement, Zinc, FBE & Other Linings

Joint Restraint System

- EZD Joint Restraint for DI Pipe 3" - 48"
- EZDTP Joint Restraint Tandem for DI Pipe 3" - 48"
- EZDPTP Joint Restraint for Push-On Joints DI Pipe 3" - 48"
- Ductile Iron Retainer Glands 3" - 30"
- FAR / FAH Flange Adapter for DI Pipe 3" - 48"
- EZFA Restrained Flange Adapter for DI and PVC Pipe 3" - 36"
- EZPVC Joint Restraint for PVC Pipe 3" - 36"
- ULTRA Joint Restraint for PVC Pipe 4" - 12"
- EZPVCPTP Joint Restraint for Push-On Joints PVC Pipe 14" - 36"
- PTPVC Pipe to Pipe Restraint 4" - 48"
- PTPDF Pipe to MJ Fittings Restraint 4" - 48"
- PTPFC Pipe to PVC Fittings Restraint 4" - 12"
- Made in China & USA
- EZ Shield or Shop Coating

Municipal Construction Castings

- Manhole Rings and Cover
- Frames and Grates
- Valve Boxes and Service Boxes
- Water Meter Covers and Boxes
- Cleanout and Monument Boxes
- Detectable Warning Plates
- Extension Rings
- Trench Grates and Tree Grates
- Made in India & USA

Fabrication Products for DI Pipe

- High Hub Flanges Class 150 and 250. 3" - 64"
- Threaded Bell Flanges 3" - 48"
- Anchor Flanges 3" - 60"
- Filler Flanges 4" - 30"

Other Products and Services

- All Thread Rod
- Pipe Lube and Hydraulic Cement
- Socket Clamps and Lugs
- Flange Packs
- OEM Castings



SIP CORPORATE 8876 Gulf Freeway, Suite 500, Houston, TX 77017

SIP CENTRAL 2900 Patio Drive, Houston, TX 77017

SIP EAST 600 Rayloc Drive, Atlanta, GA 30336

SIP WEST 8333 Almeria Avenue, Fontana, CA 92335

Phone: 877-921-6111 or 713-923-6111 | Fax: 713-923-6114 | www.sipindustries.com | sales@sipindustries.com