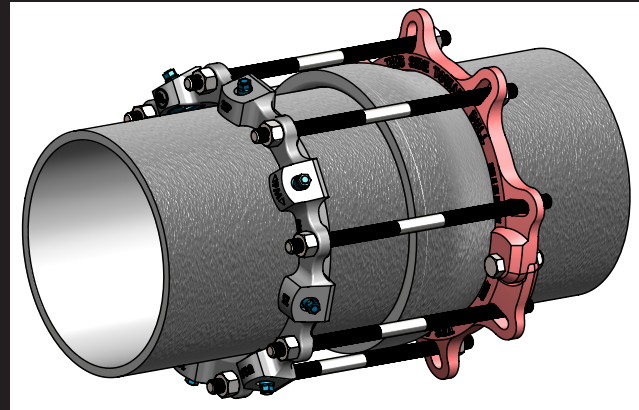




The EZ GRIP® Pipe to Pipe

The EZ Grip Pipe to Pipe Joint Restraint for DI pipe uses a proven design to restrain new construction plain end pipe to Push-On bell pipe connection. By using a reliable EZ Grip for DI on the plain end (spigot) pipe and a split ring follower on the bell pipe side. This allows it to be installed in or outside of the trench to form a restrained joint



ADVANTAGES, BENEFITS, FEATURES

- The EZDPTP Joint restraint are used for new installations prior to the insertion of plain end pipe to a pipe bell to make the push-on bell joint restrained. Includes a split ring follower for the back side of the pipe bell and high strength low alloy steel threaded rods and nuts per ANSI/AWWA C111/A21.11.
- The EZDPTP Joint Restraint eliminates clamps, tie rods, cables, and thrust blocks.
- The EZDPTP Joint Restraint is used on all classes of Ductile Iron pipes, see technical data sheet for max pressure ratings.
- The split ring can be conveniently installed inside or outside of trench.
- The EZDPTP Joint Restraints rated pressure is noted on the technical detail table and has a minimum safety factor of at least 2:1 of the pressure rating of pipes.
- The grip on the pipe increases as the hydrostatic pressure increases.
- The hex head of the actuating screw is the same size as a standard T-bolt nut (1¼"), and requires wrenches for the hex bolts of split glands.
- The hex head of the torque control screw is designed to shear at a preset limit, assuring proper installation and to prevent damage to the pipe or lining.
- When the actuating screw is rotated in the correct direction (clockwise) the torque control head breaks off, exposing a 5/8" hex head, indicating proper deployment of the wedge.
- After removing the 1-1/4" torque control hex head, a 5/8" hex head remains for multiple disassembly and re-installation, if necessary.
- Restraint allows for full joint deflection directed by the the pipe manufacturer's recommendations, and maintains the seal while under pressure, while subject to ground movement
- The gland, wedges, and screws are manufactured from high strength Ductile Iron in compliance with the ASTM A536 Standard, Grade 65-45-12.
- The wedges are heat treated, 370 to 470 BHN hardness range.
- If pipe hardness is over 230 BHN, do not install and contact SIP for further assistance.
- The EZDPTP Joint Restraint is designed to perform optimally for potable and recycled water, and for wastewater applications.
- The EZDPTP standard coating is an Alkyd Enamel or for extra protection an EZ-Shield Polyester Powder coating can be requested as an option.
- The standard color for the EZDPTP for DI Pipe is black.
- Offered in sizes 3" – 36".
- **IMPORTANT NOTE:** Not for use on Spigot End of M.J. x P.E. Fittings or on P.E. x P.E. Fittings

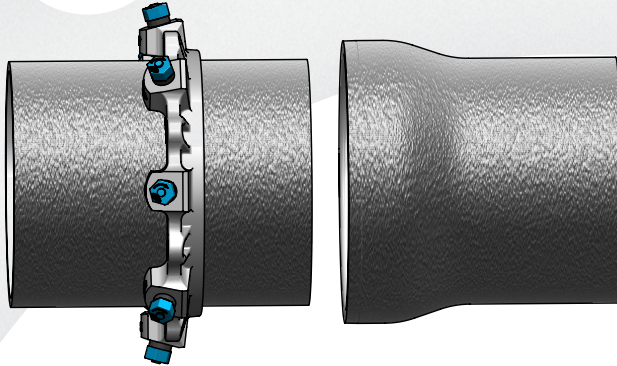
Available: Import

V 0524-01

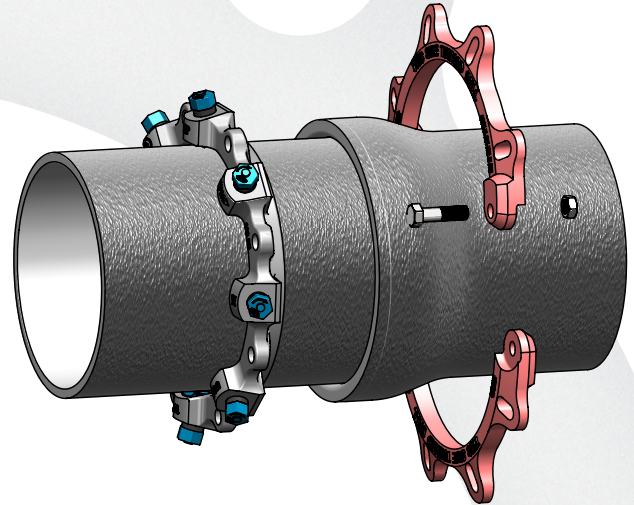
EZ GRIP JOINT RESTRAINT FOR PUSH-ON JOINTS OF DI PIPE BELLS

Installation Procedure

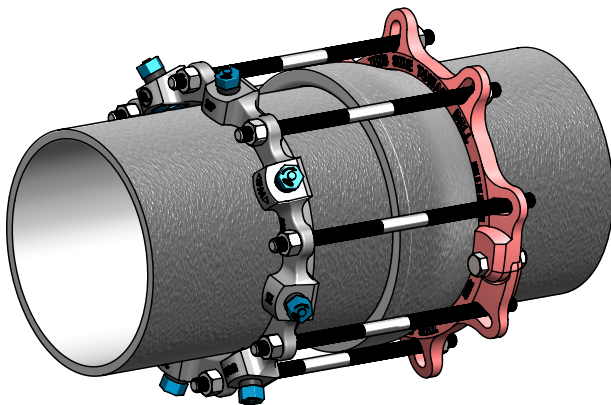
Installation Procedure for restraining mechanical joint appurtenances on ductile iron pipe conforming to ANSI/AWWA C151/A21.51.



1 Clean and prepare the pipe for installations using normal procedures per pipe manufactures recommendations.

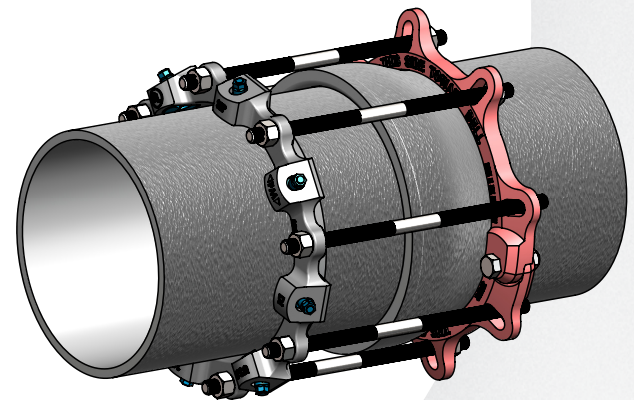


2 While pipe ends are still apart slide the EZ Grip wedge gland over the plain end of the pipe with the lip facing the spigot end of the pipe. Assemble the split ring follower on the back side of the pipe bell with flat side of bolt ears facing away from the bell. Tighten the split ring follower bolts on each side until bolt and nut are securely fastened. Complete the pipe joint assembly per the pipe manufactures recommendations.



3 Position the EZ Grip wedge gland on spigot end of pipe by inserting the restraint rods into the restrainer ears of the split ring follower so that the threaded rod ends extend past the ear. Thread a nut on the rod so that 1/2" of threads are seen on both ends of the rods. Only had tighten all hex nuts at this time.

Tighten down the break-off torque nuts until all the wedges are in firm contact with the pipe surface. Once this step is completed continue tightening in an alternate manner (star pattern) until all the break-off torque nuts have sheared off and a 5/8" hex-head will remain.



4 Hand adjust the nuts on the rod to ensure at least 1/2" of threads are exposed but that the rods are evenly against both the EZ Grip wedge gland and the split ring follower.

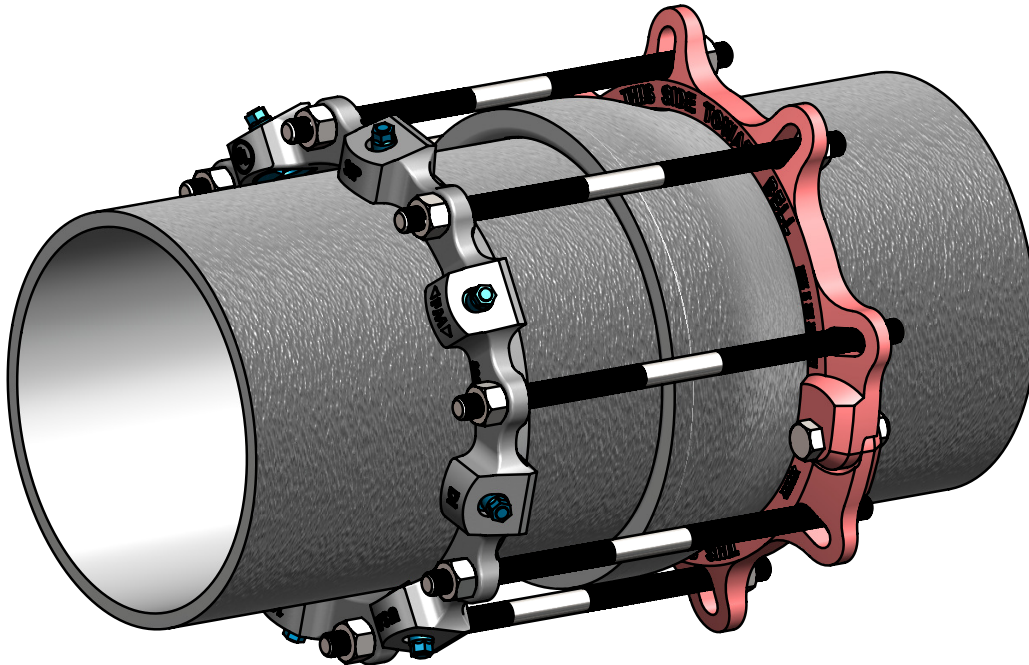
Note: Do not over-tighten the restrainer rod nuts. Only hand-tighten the nuts plus about one turn with a wrench.

BREAK-AWAY HEX NUT TORQUE RANGES	
SIZE (IN)	RANGE OF TORQUE (FT-LBS)
3 - 24	80 - 90
30 - 48	115 - 135

If it is necessary to disassemble, a 5/8" hex head is provided on the wedge screws.

For re-installation, first confirm that all wedges are in their sockets, and then follow the installation instructions, using a torque indicating wrench to tighten the 5/8" hex head to 100 ft-lbs for sizes 3"-24", and to 125 ft-lbs for sizes 30" & up.

EZ GRIP JOINT RESTRAINT FOR PUSH-ON JOINTS OF DI PIPE BELLS

Technical Data

EZDPTP DI RESTRAINTS SPECIFICATIONS

Size	Series Number	Max Pressure Rating (PSI)*	Rod Qty.	Rod Size	Max Bell O.D.	Approx. Weight (LBS)
3	EZDPTP03	350	4	5/8 X 17	5.44	20
4	EZDPTP04	350	4	3/4 X 17	6.75	22
6	EZDPTP06	350	6	3/4 X 17	8.75	35
8	EZDPTP08	350	6	3/4 X 17	11.00	43
10	EZDPTP10	350	8	3/4 X 24	13.37	62
12	EZDPTP12	350	8	3/4 X 24	15.50	75
14	EZDPTP14	350	8	3/4 X 24	18.00	125
16	EZDPTP16	350	10	3/4 X 24	20.10	143
18	EZDPTP18	250	10	3/4 X 24	22.50	168
20	EZDPTP20	250	12	3/4 X 24	24.63	195
24	EZDPTP24	250	14	3/4 X 24	29.13	275
30	EZDPTP30	250	18	1 X 24	36.00	500
36	EZDPTP36	250	22	1 X 24	42.75	500

All dimensions are in inches, unless otherwise noted

*Pressure ratings not to exceed the maximum pressure rating of the ductile iron pipe it is installed on

 Please refer to our web page www.sipindustries.com for up to date product data and technical advisories

Toll Free 877- 921-6111
www.sipindustries.com



EZ GRIP JOINT RESTRAINT FOR PUSH-ON JOINTS OF DI PIPE BELLS

SAMPLE SPECIFICATIONS

The Ductile Iron bell and spigot (push-on) joint restraining mechanism shall be designed and manufactured as one split ring follower and one EZ Grip wedge gland for DI pipe connected together with rods/nuts to provide the joint restraint. The DI bell and spigot (push-on) joint restraint shall be compatible with AWWA Ductile Iron bell and spigot (push-on) joint pipe and have the same pressure rating as the pipe with a 2:1 safety factor. The grip of the EZ Grip wedge shall increase as the hydrostatic pressure increases.

There shall be no additional tools required for installation other than the tools required to install standard sizes of hex nuts from 1" - 1 1/4". The hex heads, bolts and rods shall be designed to tighten clockwise. The hex heads, bolts and rods shall be manufactured to allow for disassembly and re-installation of the restraint.

The split ring follower and EZ Grip wedge gland for DI pipe shall be manufactured of high strength ductile iron in accordance with the ASTM A536 Standard, Grade 65-45-12.

Rods and hex nuts are manufactured from high-strength low-alloy (HSLA) steel as per ANSI/AWWA C111/A21.11. The restraining gland portion of the EZ Grip wedge shall comply with all applicable dimensions of ANSI/AWWA C111/A21.11 and shall be compatible with all bell and spigot (push-on) joint sockets of the standard.

The restraint device for DI push-on Pipe shall be SIP Industries EZ GRIP® EZDPTP Joint Restraint or equal.

Available: Import

PRODUCT LINE

AWWA DI Fittings & Accessories

- C153 Compact MJ Fittings and Acc. 2" - 64"
- C110 Full Body MJ Fittings 2" - 64"
- C153 Trim Tyton® Push-On Fittings 4" - 24"
- C110 Flange Fittings 2" - 64"
- MJ x MJ Adapter for Connecting MJ Bells 3" - 24"
- Stainless Steel & Blue T-Bolts
- Made in India, China & Mexico
- Bare, Cement, Zinc, FBE & Other Linings

Joint Restraint System

- EZD Joint Restraint for DI Pipe 3" - 48"
- EZDTP Joint Restraint Tandem for DI Pipe 3" - 48"
- EZDPTP Joint Restraint for Push-On Joints DI Pipe 3" - 48"
- Ductile Iron Retainer Glands 3" - 30"
- FAR / FAH Flange Adapter for DI Pipe 3" - 48"
- EZFA Restrained Flange Adapter for DI and PVC Pipe 3" - 36"
- EZPVC Joint Restraint for PVC Pipe 3" - 36"
- ULTRA Joint Restraint for PVC Pipe 4" - 12"
- EZPVCPTP Joint Restraint for Push-On Joints PVC Pipe 14" - 36"
- PTPVC Pipe to Pipe Restraint 4" - 48"
- PTPDF Pipe to MJ Fittings Restraint 4" - 48"
- PTPFC Pipe to PVC Fittings Restraint 4" - 12"
- Made in China & USA
- EZ Shield or Shop Coating

Municipal Construction Castings

- Manhole Rings and Cover
- Frames and Grates
- Valve Boxes and Service Boxes
- Water Meter Covers and Boxes
- Cleanout and Monument Boxes
- Detectable Warning Plates
- Extension Rings
- Trench Grates and Tree Grates
- Made in India & USA

Fabrication Products for DI Pipe

- High Hub Flanges Class 150 and 250. 3" - 64"
- Threaded Bell Flanges 3" - 48"
- Anchor Flanges 3" - 60"
- Filler Flanges 4" - 30"

Other Products and Services

- All Thread Rod
- Pipe Lube and Hydraulic Cement
- Socket Clamps and Lugs
- Flange Packs
- OEM Castings



SIP CORPORATE 8876 Gulf Freeway, Suite 500, Houston, TX 77017

SIP CENTRAL 2900 Patio Drive, Houston, TX 77017

SIP EAST 600 Rayloc Drive, Atlanta, GA 30336

SIP WEST 8333 Almeria Avenue, Fontana, CA 92335

Phone: 877-921-6111 or 713-923-6111 | Fax: 713-923-6114 | www.sipindustries.com | sales@sipindustries.com