



SIP Industries

Quality Manufacturers Since 1960



Drainage Grates & Curb Inlets

V 0524-01

www.sipindustries.com

Toll Free 877-921-6111



SIP INDUSTRIES
SERAMPORE
SINCE 1960

TABLE OF CONTENTS

<u>ITEM#</u>	<u>DESCRIPTION</u>	<u>PAGE#</u>
2270	23" MICHIGAN ROUND RING & GRATE	Page : FG 3
2271/2272	26" MICHIGAN ROUND RING, GRATE & COVER 'PLAIN'	Page : FG 3
2273	22 1/2" MICHIGAN SQUARE FRAME & GRATE	Page : FG 4
2274	22" MICHIGAN CATCH BASIN FRAME & GRATE	Page : FG 4
2400 - 2449	TYPE A 30" X 30" FRAME, GRATE & COVER	Page : FG 5
2457 - 2459	TYPE B FRAME, GRATE & COVER	Page : FG 5
2470 - 2567	TYPE BB FRAME, GRATE & COVER	Page : FG 6
2485	30" SQUARE FRAME & GRATE	Page : FG 7
2490-3/2490-4	24" X 8" SQUARE FRAME & GRATE	Page : FG 7
2570 - 2572	CL 35 MODIFIED TYPE BB FRAME & GRATE	Page : FG 8
2580 - 2582	TYPE D FRAME & GRATE	Page : FG 8
2600 - 2603	12" X 12" FRAME, GRATE & COVER	Page : FG 8
2605/2616	ROUND GRATES	Page : FG 9
2610 - 2613	14" X 14" FRAME, GRATE & COVER	Page : FG 9
2615	23" X 15" GRATE ONLY	Page : FG 9
2620 - 2624	18" X 18" FRAME, GRATE, COVER & EXT.	Page : FG 10
2631 - 2637	21" X 21" FRAME, GRATE & COVER	Page : FG 10
2639 - 2644	24" X 24" FRAME, GRATE, COVER & EXT.	Page : FG 10
2650 - 2655	27" X 27" FRAME, GRATE & COVER	Page : FG 11
2674	MINNESOTA FRAME CI	Page : FG 11
2660 - 2682	FRAMES, GRATES & COVERS	Page : FG 11
2690 - 2695	REV. RING & GRATE EQ. V3810	Page : FG 12
2700 - 2732	EQ. V5600 SERIES REVERSIBLE FRAME & GRATE	Page : FG 12
2734 - 2736	EQ. V5648 50.625" REVERSIBLE FRAME & GRATE	Page : FG 13
2740G	27 1/2" X 27 1/2" HEAVY DUTY SINUSOIDAL GRATE	Page : FG 13
2746 - 2748	EQ. V5660 23 3/4" X 35 3/4" REVERSIBLE FRAME & GRATE	Page : FG 14
2753 - 2782	EQ. V5700 SERIES L FRAME & GRATE	Page : FG 14
2785 - 2786	EQ. V5748 50.625" L FRAME & GRATE	Page : FG 15
2790	26" X 26" FRAME & GRATE	Page : FG 15
2800 - 2801	GRATES EQ. NYLOPLAST	Page : FG 15
3510	TYPE E-1 CATCH BASIN FRAME & GRATE	Page : FG 16
4380	EQ. 226L RING & LID	Page : FG 16

Contd.....

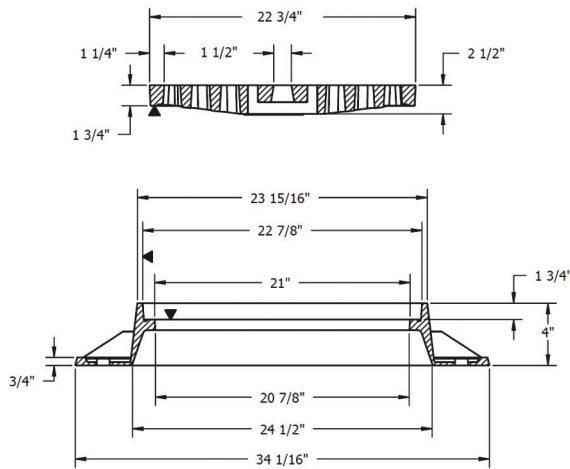
TABLE OF CONTENTS

ITEM #	DESCRIPTION	PAGE #
4390 - 4391	EQ. V6780 1001 UTILITY FRAME & COVER	Page : FG 16
4576 - 4577	MS CURB PLATE & FRAME	Page : FG 17
5300 - 5305	NON - TRAFFIC FRAME & GRATE TENNESSEE	Page : FG 17
5730	15 3/8" ASHEVILLE RING & LID	Page : FG 17
7200	24" X 18" REVERSIBLE LOCKING CI FRAME & GRATE EQ. SM50G	Page : FG 18
7200W	24" X 18" REVERSIBLE LOCKING CI FRAME & DI GRATE EQ. SM50G	Page : FG 18
7205G	12" X 12" DI YARD DRAIN GRATE ONLY	Page : FG 19
7206	17" X 17" SQ. REVERSIBLE FRAME & GRATE EQ. SM24	Page : FG 19
7207G	17" X 17" DI GRATE ONLY FOR TYPE 50 CATCH BASIN	Page : FG 19
7208	18" X 24" LOCKING FRAME & DI COVER EQ. SM50S	Page : FG 20
7209	20" X 24" REVERSIBLE LOCKING FRAME & DI GRATE EQ. SM60	Page : FG 20
7210	20" X 24" REVERSIBLE LOCKING FRAME & DI VANED GRATE EQ. SM60	Page : FG 20
7211	20" X 24" REVERSIBLE FRAME & DI SOLID COVER EQ. SM60S	Page : FG 21
7214	12" X 18" FRAME & GRATE FOR TYPE 40 EQ. SM16	Page : FG 21
PR 7570	24" X 60" WATER METER FRAME & COVER	Page : FG 22
PR 7575	24" X 48" WATER METER FRAME & COVER	Page : FG 22
PR 7580	30" X 30" WATER METER FRAME & COVER	Page : FG 22

- All dimensions are in inches unless noted otherwise.
- All weights are approximate in pounds unless noted otherwise.

23" MICHIGAN ROUND RING & GRATE

ITEM # : 2270



ITEM #	DESCRIPTION
2270R	23" MICHIGAN ROUND RING
2270G	23" MICHIGAN ROUND GRATE



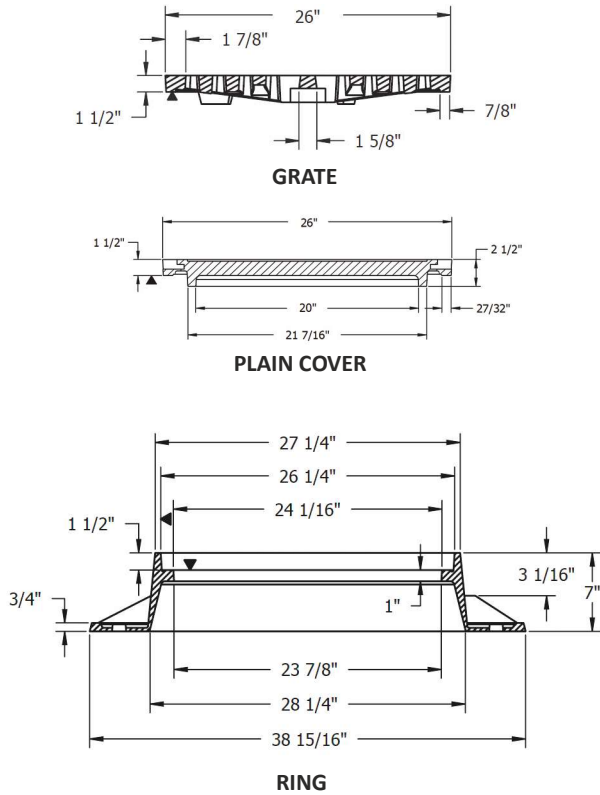
GRATE	SLOT	OPEN AREA	FLOW RATE
Standard	6 1/4" X 1 3/8" - 6 Nos.	152.31 sq. in.	4.01 ft ³ /sec.
	4 5/8" X 1 1/4" - 2 Nos.		
	4 1/4" X 1 1/2" - 8 Nos.		
	2 1/4" X 1 3/8" - 8 Nos.		
	2 3/8" X 1 3/8" - 4 Nos.		

*Open Area & Flow Rate Values are Approximate.

Load Rating : Heavy Duty (AASHTO M306)
Material : Cast Iron, ASTM A48 Class 35B
Dimensions : All are in Inch

26" MICHIGAN ROUND RING, GRATE & COVER 'PLAIN'

ITEM # : 2271/2272



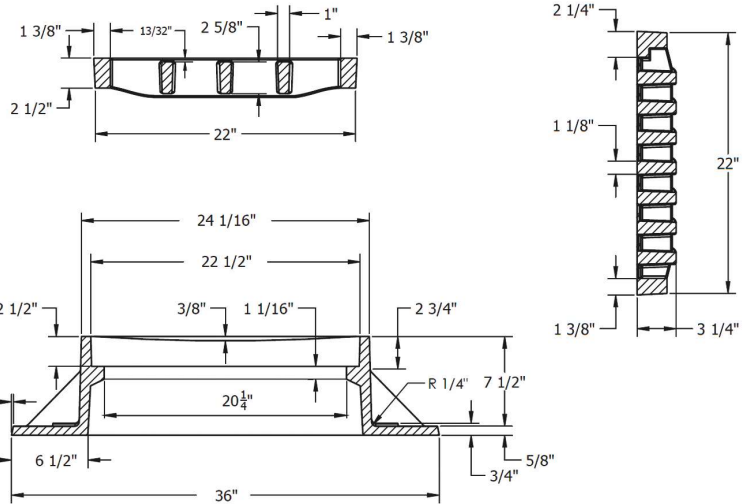
ITEM #	DESCRIPTION
2271	26" MICHIGAN ROUND RING & GRATE
2271G	26" MICHIGAN ROUND GRATE
2271R	26" MICHIGAN ROUND RING
2272	26" MICHIGAN ROUND RING & COVER "PLAIN"
2272C	26" MICHIGAN ROUND COVER "PLAIN"



GRATE	SLOT	OPEN AREA	FLOW RATE
Standard	7 3/8" X 1 1/2" - 8 Nos.	211.68 sq. in.	5.59 ft ³ /sec.
	5 3/8" X 1 1/2" - 8 Nos.		
	3 3/8" X 1 1/2" - 8 Nos.		
	1 5/8" X 1 3/8" - 8 Nos.		

*Open Area & Flow Rate Values are Approximate.

Load Rating : Heavy Duty (AASHTO M306)
Material : Cast Iron, ASTM A48, Class 35B
Dimensions : All are in Inch

ITEM # : 2273
22 1/2" MICHIGAN SQUARE FRAME & GRATE


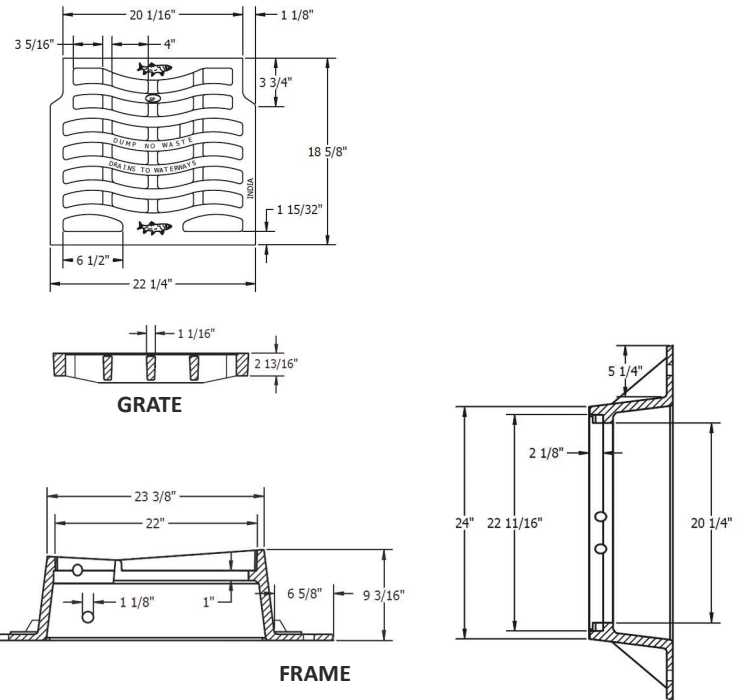
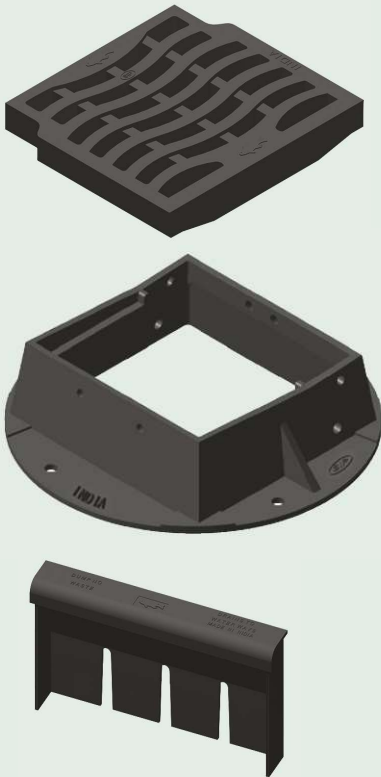
GRATE	SLOT	OPEN AREA	FLOW RATE
Standard	4 3/8" X 1 1/2" - 16 Nos. 4 1/16" X 1 1/2" - 16 Nos.	202.56 sq. in.	5.35 ft ³ /sec.

*Open Area & Flow Rate Values are Approximate.

Load Rating : Heavy Duty (AASHTO M306)

Material : Cast Iron, ASTM A48 Class 35B

Dimensions : All are in Inch

ITEM # : 2274
22" MICHIGAN CATCH BASIN FRAME & GRATE


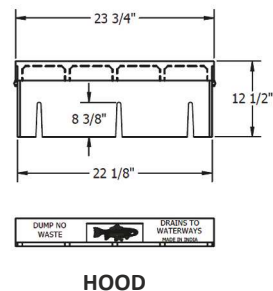
GRATE	SLOT	OPEN AREA	FLOW RATE
Standard	3 3/8" X 1 1/2" - 4 Nos. 4 1/2" X 1 1/2" - 8 Nos. 4 1/8" X 1 1/2" - 12 Nos. 6 1/16" X 1 5/8" - 2 Nos.	167.38 sq. in.	4.42 ft ³ /sec.

*Open Area & Flow Rate Values are Approximate.

Load Rating : Heavy Duty (AASHTO M306)

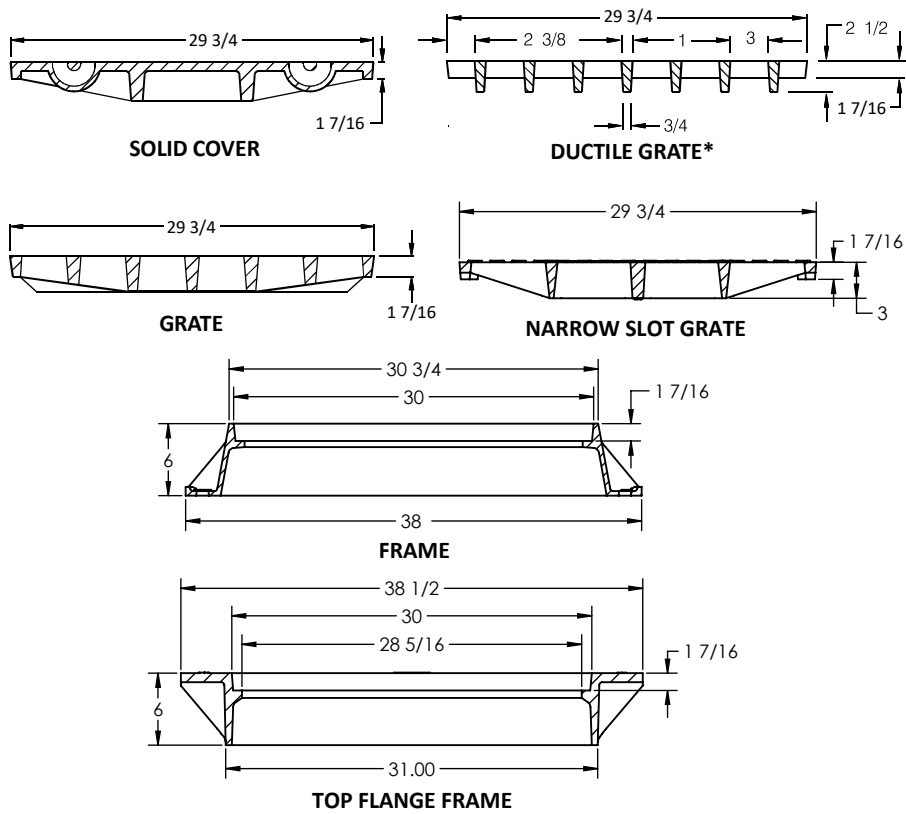
Material : Cast Iron, ASTM A48, Class 35B

Dimensions : All are in Inch

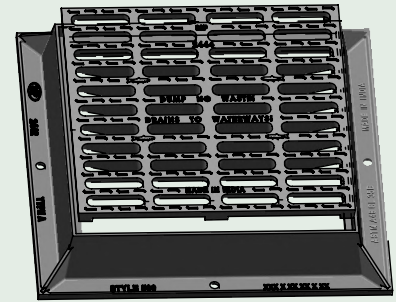


TYPE A 30" X 30" FRAME, GRATE & COVER

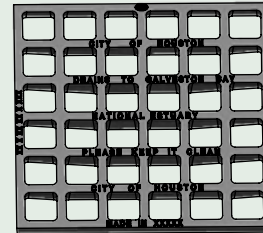
ITEM # : 2400 - 2449



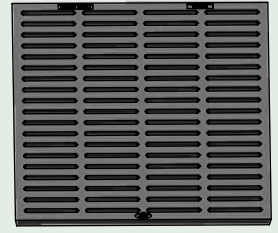
ITEM #	DESCRIPTION
2425	TYPE A 30" X 30" FRAME & SOLID COVER
2426	TYPE A 30" X 30" SOLID COVER ONLY
2431	TYPE A 30" X 30" FRAME ONLY TOP FLANGE
2440	TYPE A 30" X 30" FRAME & GRATE CI35
2441	TYPE A 30" X 30" GRATE ONLY CI35
2441WM	TYPE A 30" X 30" GRATE ONLY CI35 W/O MARKING
2442	TYPE A 30" X 30" FRAME ONLY CI35
2443	TYPE A 30" X 30" FRAME & NARROW SLOT GRATE CI35
2444	TYPE A 30" X 30" NARROW SLOT GRATE ONLY CI35
2448	TYPE A 30" X 30" ADA/TDLR COMP. GRATE
2449	TYPE A 30" X 30" ADA/TDLR FRAME & GRATE



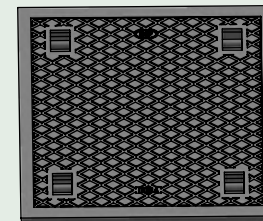
FRAME & NARROW SLOT GRATE (Anti Skid)



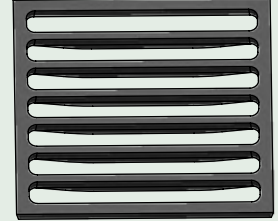
STANDARD GRATE



ADA GRATE



SOLID COVER



DUCTILE GRATE

GRATE	SLOT	OPEN AREA	FLOW RATE
Standard	3 3/4" X 3 3/4" - 36 Nos.	506.25 sq. in.	13.36 ft ³ /sec.
Narrow	6 3/16" X 1 1/2" - 44 Nos.	408.54 sq. in.	10.78 ft ³ /sec.
ADA	6 1/4" X 1/2" - 76 Nos.	237.50 sq. in.	6.27 ft ³ /sec.
Ductile	26 7/8" X 3" - 7 Nos.	564.48 sq. in.	14.90 ft ³ /sec.

*Open Area & Flow Rate Values are Approximate.

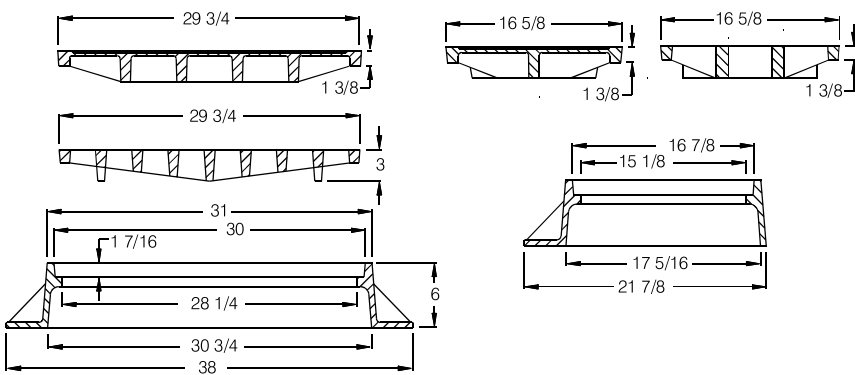
Load Rating : Heavy Duty (AASHTO M306)

Material : Cast Iron, ASTM A48 Class 35B / D.I.

Dimensions : All are in Inch

TYPE B FRAME, GRATE & COVER

ITEM # : 2457 - 2459



ITEM #	DESCRIPTION
2457	TYPE B FRAME & COH SOLID COVER CI35
2459	CL35 TYPE B FRAME ONLY



FRAME & GRATE

SOLID COVER

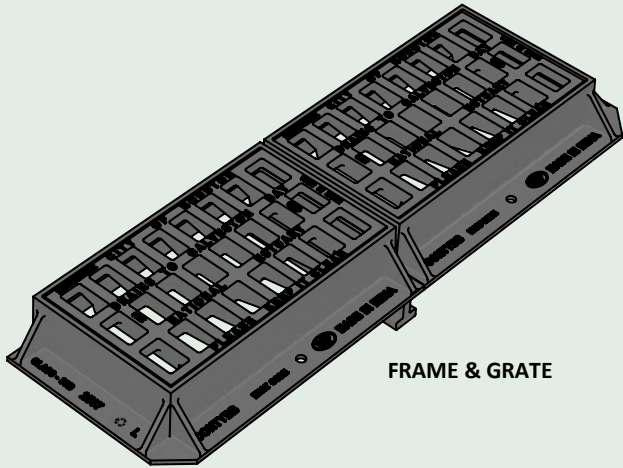
GRATE	SLOT	OPEN AREA	FLOW RATE
Standard	4 1/8" X 2 3/8" - 24 Nos.	235.91 sq. in.	6.23 ft ³ /sec.

*Open Area & Flow Rate Values are Approximate.

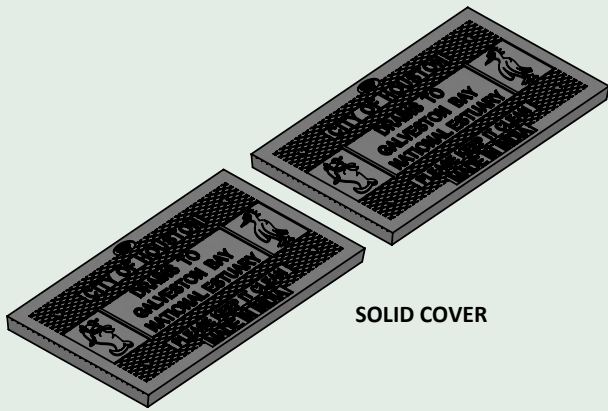
Load Rating : Heavy Duty (AASHTO M306)

Material : Cast Iron, ASTM A48 Class 35B

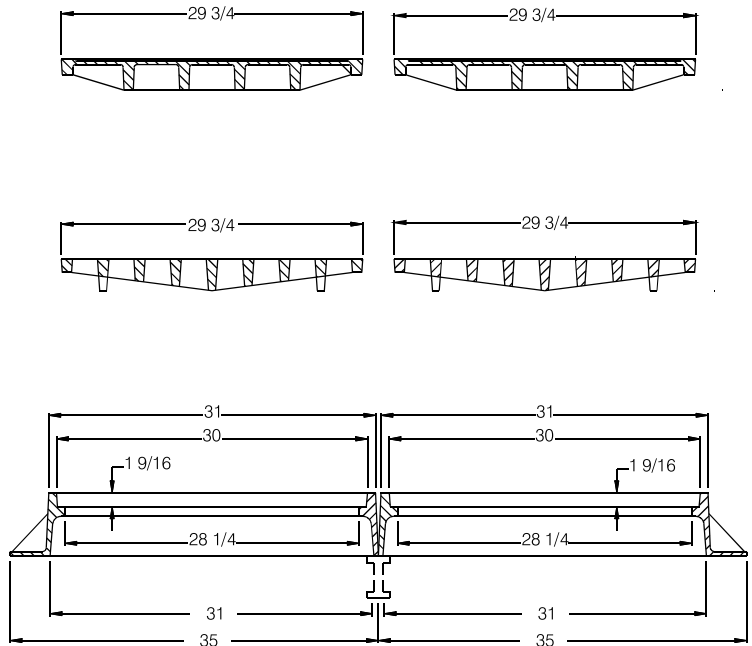
Dimensions : All are in Inch



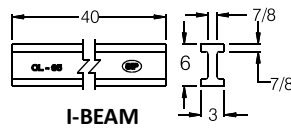
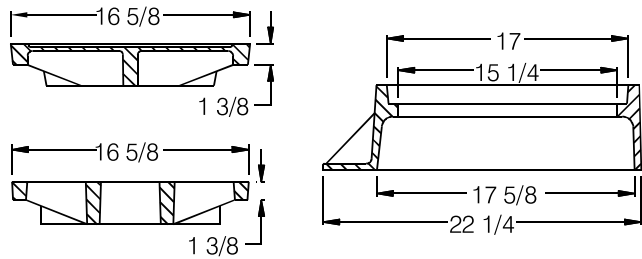
FRAME & GRATE



SOLID COVER



FRONT VIEW



I-BEAM

ITEM #	DESCRIPTION
2470	TYPE BB SEWER COVER ONLY
2521	TYPE BB PLAIN SOLID COVER ONLY
2560	CL35 TYPE BB FRAME & COH LOGO COVER
2561	CL35 TYPE B/BB COH LOGO COVER ONLY
2561HC	CL35 TYPE B/BB HARRIS COUNTY LOGO COVER ONLY
2562	CL35 TYPE BB FRAME & COH GRATE
2563	CL35 TYPE B/BB COH GRATE ONLY
2564	CL35 TYPE B/BB PLAIN GRATE ONLY
2565	CL35 TYPE BB I-BEAM ONLY
2566	CL35 TYPE BB FRAME ONLY RIGHT
2566	CL35 TYPE BB FRAME ONLY LEFT

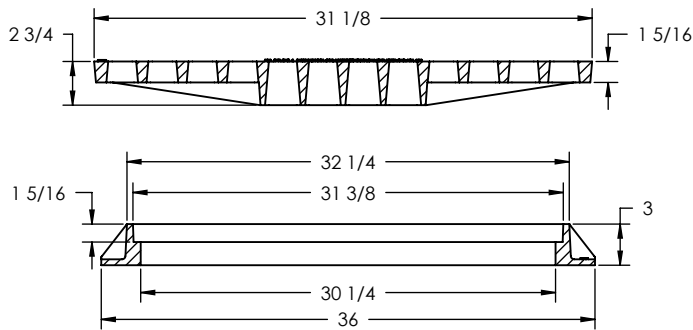
GRATE	SLOT	OPEN AREA	FLOW RATE
Standard	4 1/8" X 2 3/8" - 24 Nos. (each)	235.91 sq. in.	6.23 ft ³ /sec.

*Open Area & Flow Rate Values are Approximate.

Load Rating : Heavy Duty (AASHTO M306)
 Material : Cast Iron, ASTM A48 Class 35B
 Dimensions : All are in Inch

30" SQUARE FRAME & GRATE

ITEM # : 2485



ITEM #	DESCRIPTION
2485F	30" SQUARE FRAME ONLY
2485G	30" SQUARE GRATE ONLY

GRATE	SLOT	OPEN AREA	FLOW RATE
Standard	1 3/4" X 1 3/4" - 144 Nos.	441.00 sq. in.	11.64 ft ³ /sec.

*Open Area & Flow Rate Values are Approximate.

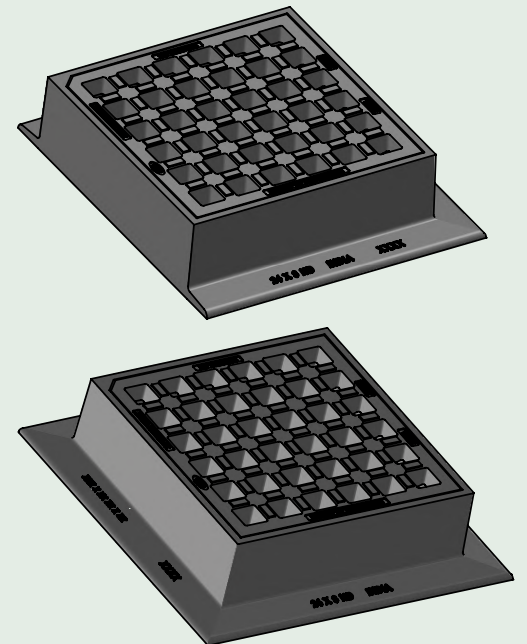
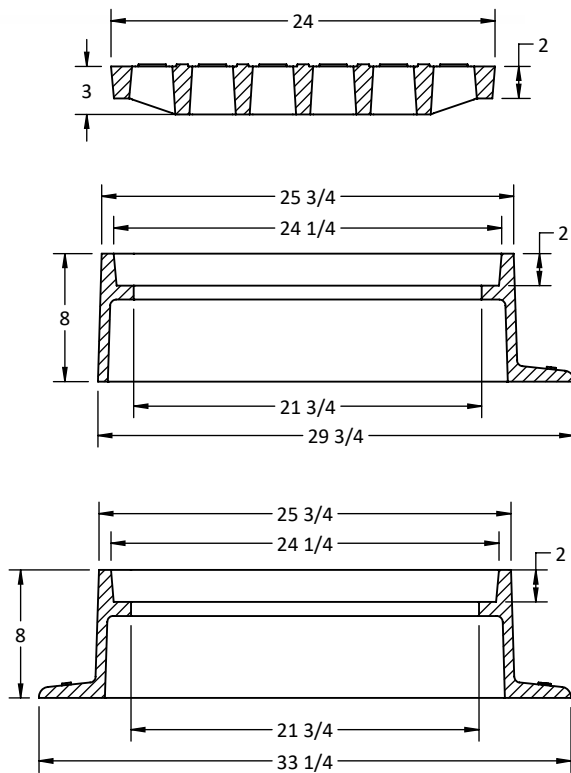
Load Rating : Heavy Duty (AASHTO M306)

Material : Cast Iron, ASTM A48 Class 30B

Dimensions : All are in Inch

24" X 8" SQUARE FRAME & GRATE

ITEM # : 2490-3/2490-4



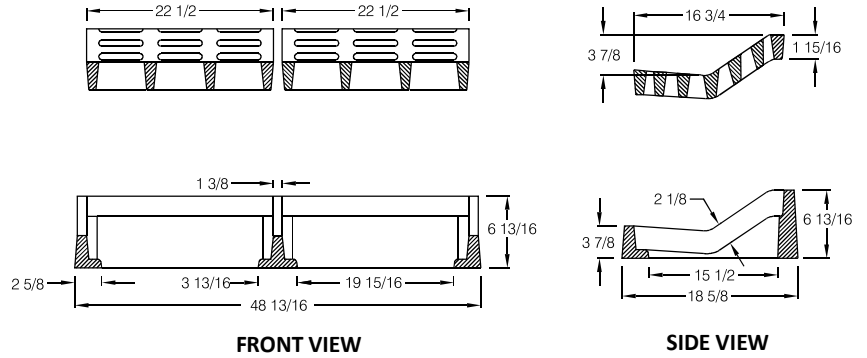
GRATE	SLOT	OPEN AREA	FLOW RATE
Standard	2 1/2" X 2 1/2" - 36 Nos.	225.00 sq. in.	5.94 ft ³ /sec.

*Open Area & Flow Rate Values are Approximate.

Load Rating : Heavy Duty (AASHTO M306)

Material : Cast Iron, ASTM A48 Class 30B

Dimensions : All are in Inch

ITEM # : 2570 - 2572
CL 35 MODIFIED TYPE BB FRAME & GRATE


GRATE	SLOT	OPEN AREA	FLOW RATE
Standard	6 3/8" X 1 1/2" - 18 Nos.	172.26 sq. in.	4.55 ft ³ /sec.

*Open Area & Flow Rate Values are Approximate.

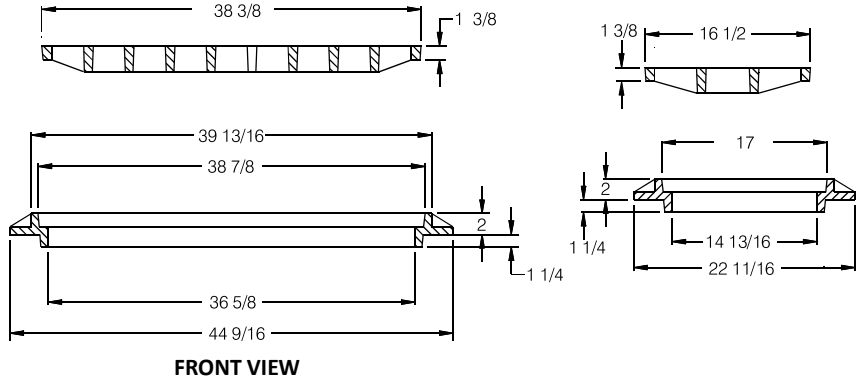
Load Rating : Heavy Duty (AASHTO M306)

Material : Cast Iron, ASTM A48 Class 35B

Dimensions : All are in Inch

ITEM # DESCRIPTION

- 2570 CL35 MODIFIED TYPE BB FRAME & GRATE
- 2571 CL35 MODIFIED TYPE BB FRAME ONLY
- 2572 CL35 MODIFIED TYPE BB GRATE ONLY

ITEM # : 2580 - 2582
TYPE D FRAME & GRATE


GRATE	SLOT	OPEN AREA	FLOW RATE
Standard	4" X 3 1/8" - 27 Nos.	338.04 sq. in.	8.92 ft ³ /sec.

*Open Area & Flow Rate Values are Approximate.

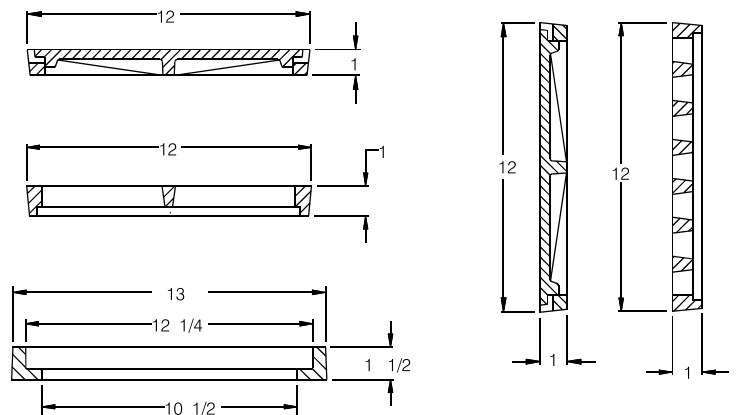
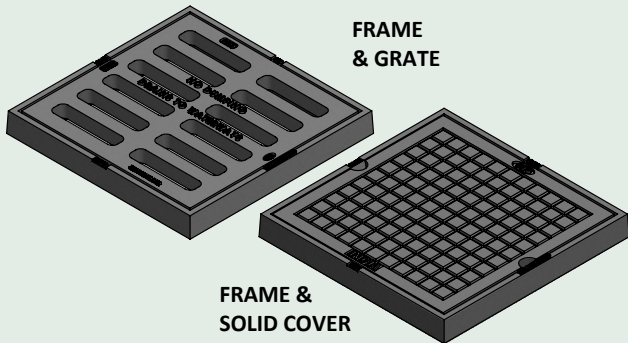
Load Rating : Heavy Duty (AASHTO M306)

Material : Cast Iron, ASTM A48 Class 35B

Dimensions : All are in Inch

ITEM # DESCRIPTION

- 2580 TYPE D FRAME & GRATE
- 2581 TYPE D GRATE ONLY
- 2582 TYPE D FRAME ONLY

ITEM # : 2600 - 2603
12" X 12" FRAME, GRATE & COVER


GRATE	SLOT	OPEN AREA	FLOW RATE
Standard	4 3/4" X 1 1/8" - 12 Nos.	64.41 sq. in.	1.70 ft ³ /sec.

*Open Area & Flow Rate Values are Approximate.

Load Rating : Heavy Duty (H-20/HS-20)

Material : Cast Iron, ASTM A48 Class 30B

Dimensions : All are in Inch

ITEM # DESCRIPTION

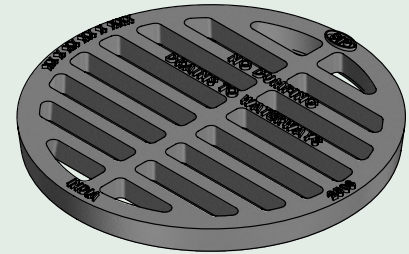
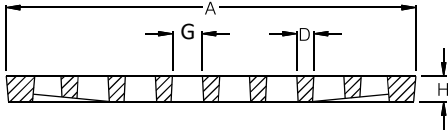
- 2600 12" X 12" FRAME & GRATE
- 2601 12" X 12" GRATE ONLY

ITEM # DESCRIPTION

- 2602 12" X 12" FRAME ONLY
- 2603 12" X 12" SOLID COVER ONLY

ROUND GRATES

ITEM # : 2605/2616



ITEM NO	EQ. NO	A (IN.)	D (IN.)	H (IN.)
2605	V6402	13	5/8	1
2616	V6406	17	7/8	1 3/4

GRATE	G
2605	5 3/8" X 7/8" - 4 Nos.
	5" X 7/8" - 4 Nos.
	4 1/8" X 7/8" - 4 Nos.
2616	2 3/8" X 1 1/8" - 4 Nos.
	6 7/8" X 1 1/16" - 4 Nos.
	6 7/16" X 1 1/16" - 4 Nos.
	5 1/4" X 1" - 4 Nos.
	2 3/4" X 1 1/16" - 4 Nos.

ITEM #	DESCRIPTION
2605	13" ROUND GRATE ONLY
2616	17" ROUND GRATE ONLY

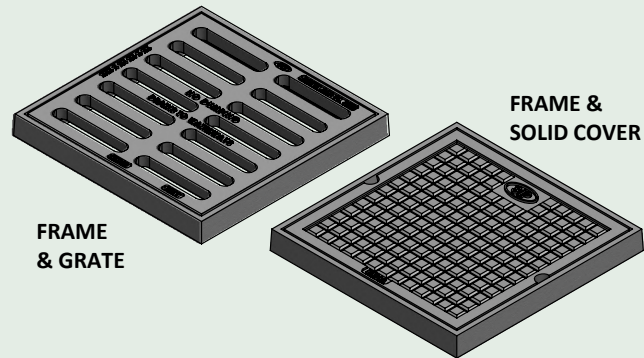
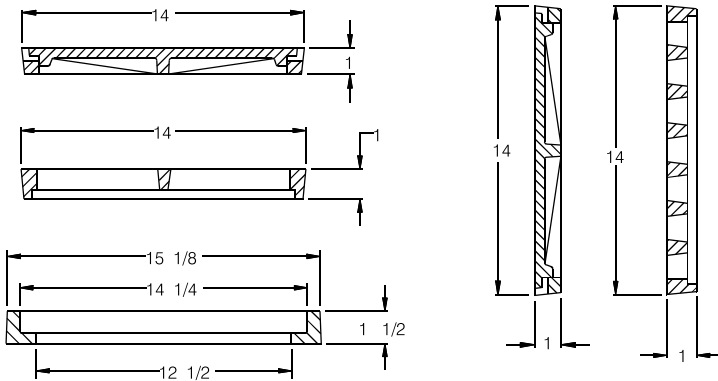
GRATE	OPEN AREA	FLOW RATE
2605	61.84 sq. in.	1.63 ft ³ /sec.
2616	89.14 sq. in.	2.35 ft ³ /sec.

*Open Area & Flow Rate Values are Approximate.

Load Rating : Heavy Duty (H-20/HS-20)
Material : Cast Iron, ASTM A48 Class 30B
Dimensions : All are in Inch

14" X 14" FRAME, GRATE & COVER

ITEM # : 2610 - 2613



ITEM #	DESCRIPTION	ITEM #	DESCRIPTION
2610	14" X 14" FRAME & GRATE	2612	14" X 14" FRAME ONLY
2611	14" X 14" GRATE ONLY	2613	14" X 14" SOLID COVER ONLY

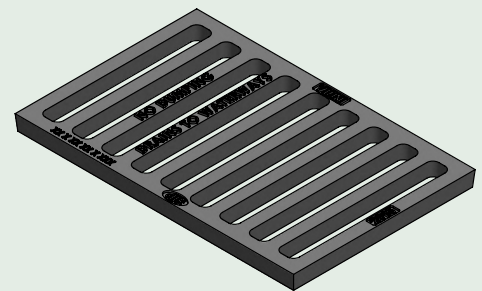
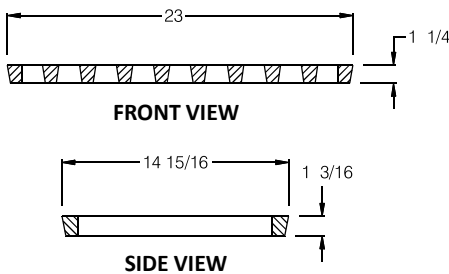
GRATE	SLOT	OPEN AREA	FLOW RATE
Standard	5 5/8" X 1" - 14 Nos.	78.82 sq. in.	2.08 ft ³ /sec.

*Open Area & Flow Rate Values are Approximate.

Load Rating : Heavy Duty (H-20/HS-20)
Material : Cast Iron, ASTM A48 Class 30B
Dimensions : All are in Inch

23" X 15" GRATE ONLY

ITEM # : 2615

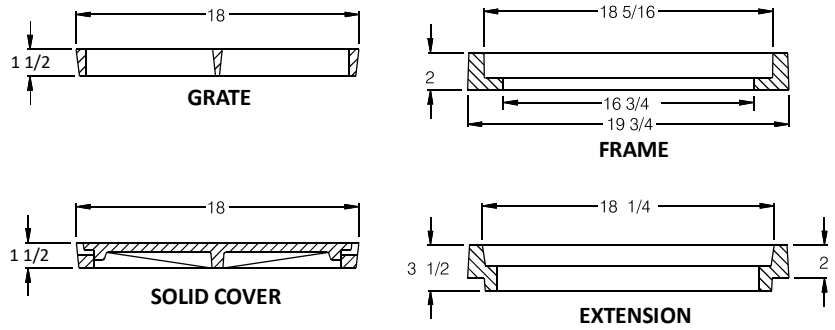
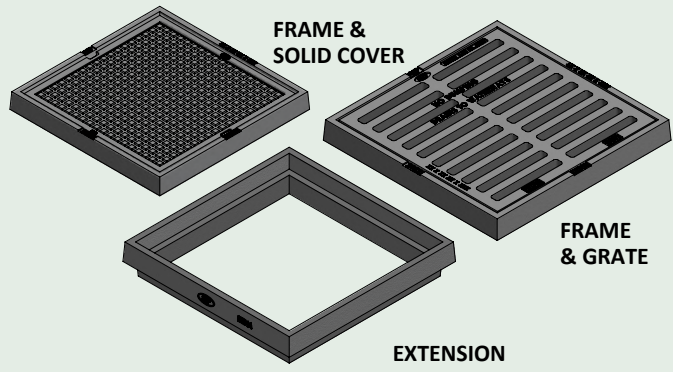


ITEM #	DESCRIPTION
2615	23" X 15" GRATE ONLY

GRATE	SLOT	OPEN AREA	FLOW RATE
Standard	13" X 1 1/2" - 9 Nos.	175.50 sq. in.	4.63 ft ³ /sec.

*Open Area & Flow Rate Values are Approximate.

Load Rating : Heavy Duty (H-20/HS-20)
Material : Cast Iron, ASTM A48 Class 30B
Dimensions : All are in Inch

ITEM # : 2620 - 2624
18" X 18" FRAME, GRATE, COVER & EXT.


GRATE	SLOT	OPEN AREA	FLOW RATE
Standard	7 1/2" X 7/8" - 20 Nos.	132.00 sq. in.	3.48 ft ³ /sec.

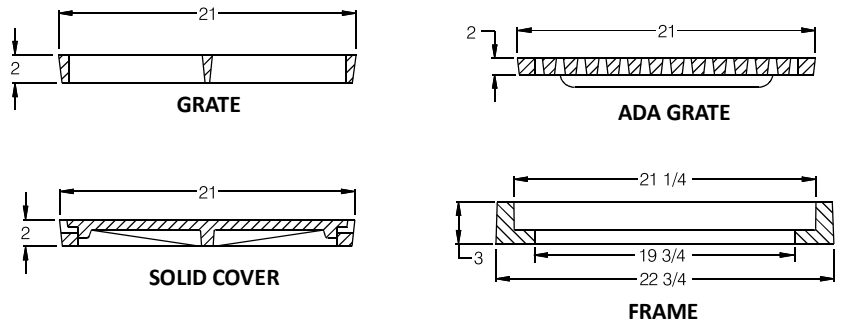
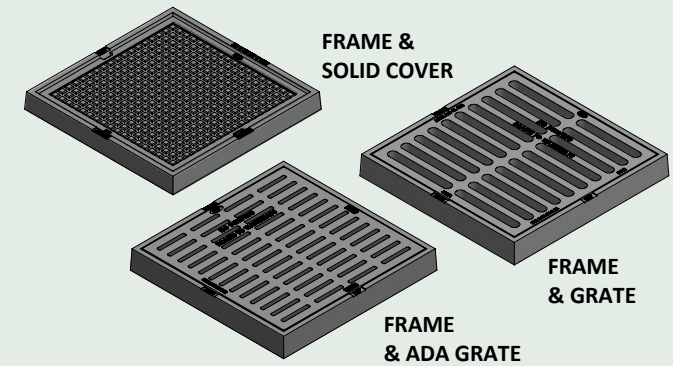
*Open Area & Flow Rate Values are Approximate.

Load Rating : Heavy Duty (H-20/HS-20)

Material : Cast Iron, ASTM A48 Class 30B

Dimensions : All are in Inch

ITEM #	DESCRIPTION
2620	18" X 18" FRAME & GRATE
2621	18" X 18" GRATE ONLY
2622	18" X 18" FRAME ONLY
2623	18" X 18" SOLID COVER ONLY
2624	18" X 18" X 2" EXTENSION FRAME

ITEM # : 2631 - 2637
21" X 21" FRAME, GRATE & COVER


GRATE	SLOT	OPEN AREA	FLOW RATE
Standard	9" X 1 1/8" - 20 Nos.	203.40 sq. in.	5.37 ft ³ /sec.
ADA	4" X 1/2" - 52 Nos.	104.00 sq. in.	2.74 ft ³ /sec.

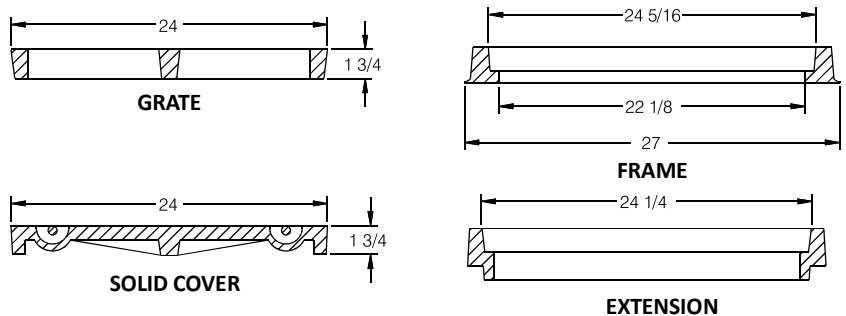
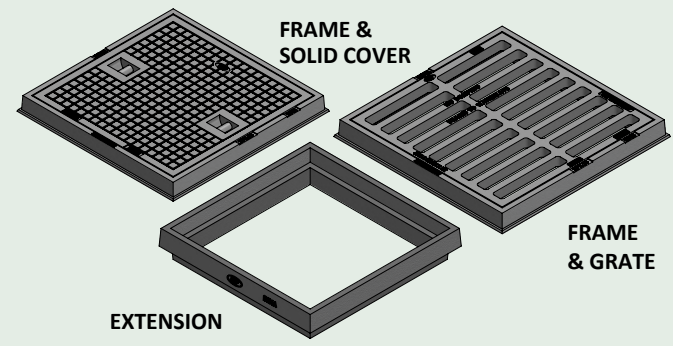
*Open Area & Flow Rate Values are Approximate.

Load Rating : Heavy Duty (H-20/HS-20 & AASHTO M06)

Material : Cast Iron, ASTM A48 Class 30B

Dimensions : All are in Inch

ITEM #	DESCRIPTION
2631	21" X 21" SOLID COVER ONLY
2633	21" X 21" GRATE ONLY HD
2634	21" X 21" FRAME ONLY
2637	21" X 21" X 2" GRATE ONLY ADA FITS STD. FRAME

ITEM # : 2639 - 2644
24" X 24" FRAME, GRATE, COVER & EXT.


GRATE	SLOT	OPEN AREA	FLOW RATE
Standard	10 1/2" X 1 5/8" - 18 Nos.	308.07 sq. in.	8.13 ft ³ /sec.

*Open Area & Flow Rate Values are Approximate.

Load Rating : Heavy Duty (H-20/HS-20)

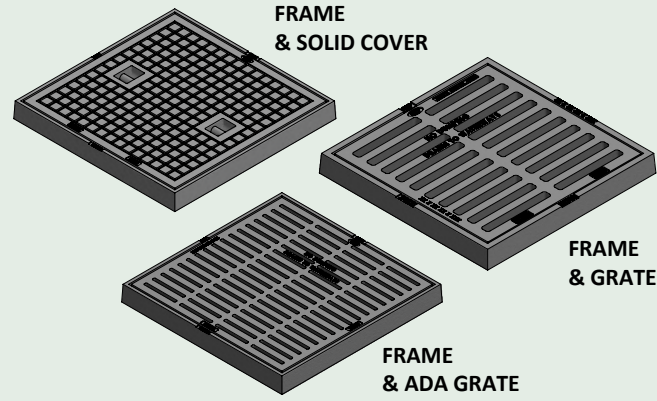
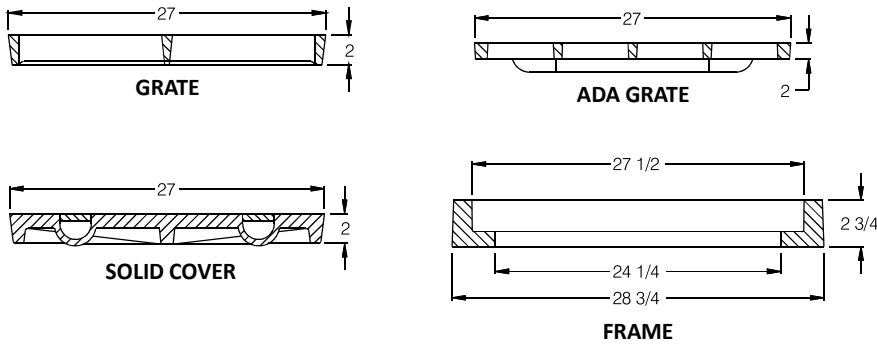
Material : Cast Iron, ASTM A48 Class 30B

Dimensions : All are in Inch

ITEM #	DESCRIPTION
2639	24" X 24" FRAME & GRATE STD. BITUMEN PAINTED
2641	24" X 24" GRATE ONLY
2642	24" X 24" FRAME ONLY
2643	24" X 24" SOLID COVER ONLY
2644	24" X 24" X 2" EXTENSION FRAME

27" X 27" FRAME, GRATE & COVER

ITEM # : 2650 - 2655



ITEM #	DESCRIPTION
2650	27" X 27" FRAME & GRATE
2651	27" X 27" GRATE ONLY
2652	27" X 27" SOLID COVER ONLY W/ PICK BAR
2653	27" X 27" FRAME ONLY
2655	27" X 27" GRATE ONLY ADA EQ.

GRATE	SLOT	OPEN AREA	FLOW RATE
Standard	11 5/8" X 1 5/8" - 20 Nos.	379.14 sq. in.	10.00 ft ³ /sec.
ADA	5 5/8" X 1 1/2" - 68 Nos.	191.42 sq. in.	5.05 ft ³ /sec.

*Open Area & Flow Rate Values are Approximate.

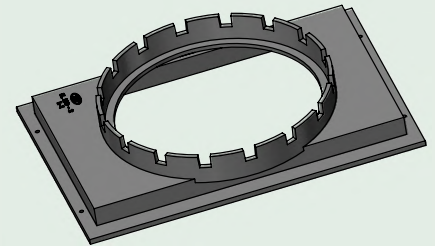
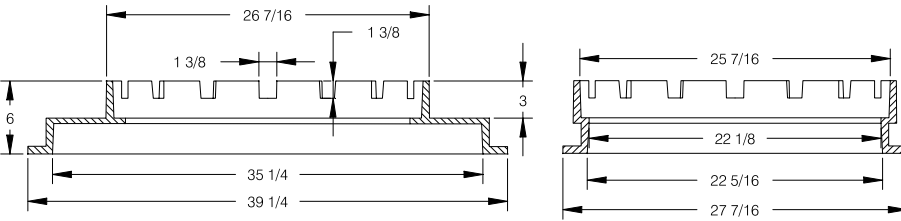
Load Rating : Heavy Duty (H-20/HS-20)

Material : Cast Iron, ASTM A48 Class 30B

Dimensions : All are in Inch

MINNESOTA FRAME CI

ITEM # : 2674



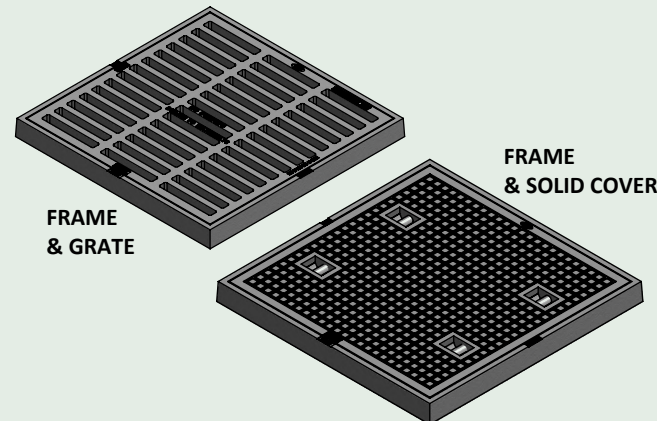
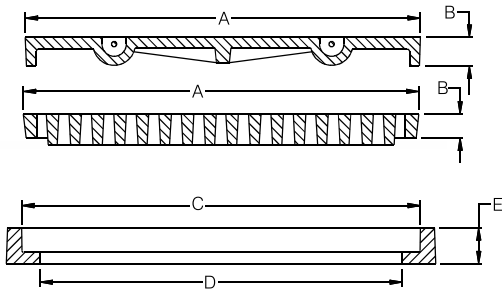
Load Rating : Heavy Duty (H-20/HS-20)

Material : Cast Iron, ASTM A48 Class 35B

Dimensions : All are in Inch

FRAMES, GRATES & COVERS

ITEM # : 2660 - 2682



ITEM NO	SIZE (IN.)	A (IN.)	B (IN.)	C (IN.)	D (IN.)	E (IN.)
2660/61/62	32 X 32	32	2	32 1/4	30 1/2	2 3/4
2670/71/72	34 X 34	34	2	34 1/4	32 1/4	2 3/4
2680/81/82	38 X 38	38	2	38 1/4	36 1/4	2 3/4

ITEM #	DESCRIPTION	ITEM #	DESCRIPTION
2660	32" X 32" GRATE ONLY	2672	34" X 34" SOLID COVER ONLY
2661	32" X 32" FRAME ONLY	2680	38" X 38" GRATE ONLY
2662	32" X 32" SOLID COVER ONLY	2681	38" X 38" FRAME ONLY
2670	34" X 34" GRATE ONLY	2682	38" X 38" SOLID COVER ONLY
2671	34" X 34" FRAME ONLY		

GRATE	SLOT	OPEN AREA	FLOW RATE
2660	9" X 1 1/4" - 42 Nos.	472.50 sq. in.	12.47 ft ³ /sec.
2670	10 1/2" X 7/8" - 54 Nos.	498.96 sq. in.	13.17 ft ³ /sec.
2680	11" X 1 1/8" - 51 Nos.	633.93 sq. in.	16.73 ft ³ /sec.

*Open Area & Flow Rate Values are Approximate.

Load Rating : Heavy Duty (H-20/HS-20)

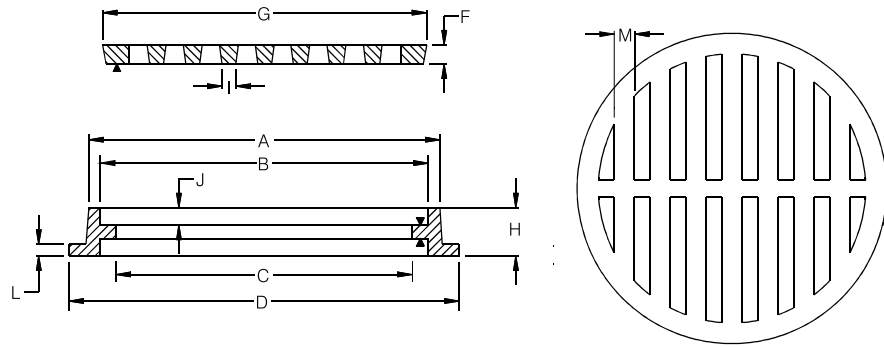
Material : Cast Iron, ASTM A48 Class 30B

Dimensions : All are in Inch



ITEM # : 2690 - 2695

REV. RING & GRATE EQ. V3810



GRATE	SLOT	OPEN AREA	FLOW RATE
2690G	3 5/8" X 1 1/16" - 2 Nos. 3 1/8" X 1 1/16" - 4 Nos. 1 1/2" X 7/8" - 4 Nos.	26.25 sq. in.	0.69 ft ³ /sec.
2691G	5" X 1" - 4 Nos. 4 1/4" X 1" - 4 Nos. 1 3/4" X 7/8" - 4 Nos.	43.16 sq. in.	1.14 ft ³ /sec.
2692G	6 1/4" X 1 1/8" - 2 Nos. 6" X 1 1/8" - 4 Nos. 4 15/16" X 1 1/8" - 4 Nos. 2 5/8" X 1 1/8" - 4 Nos.	74.10 sq. in.	1.96 ft ³ /sec.
2693G	8 3/4" X 1 1/8" - 2 Nos. 8 5/8" X 1 1/8" - 4 Nos. 7 7/8" X 1 1/8" - 4 Nos. 6 1/4" X 1 1/8" - 4 Nos. 3 1/8" X 1 1/8" - 4 Nos.	136.79 sq. in.	3.61 ft ³ /sec.

*Open Area & Flow Rate Values are Approximate.

Load Rating : Heavy Duty (H-20/HS-20)

Material : Cast Iron, ASTM A48 Class 30B

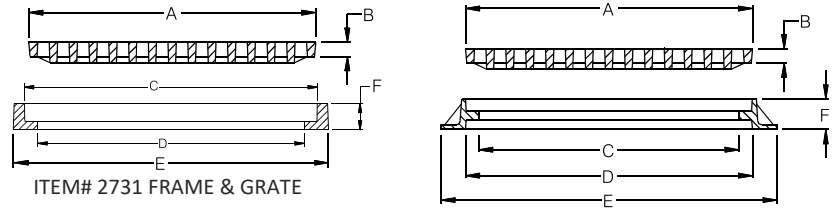
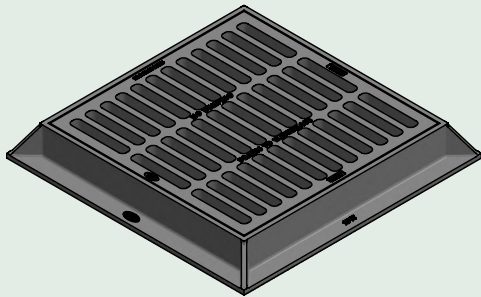
Dimensions : All are in Inch

ITEM #	DESCRIPTION
2690	12" RING & GRATE
2691	15" RING & GRATE
2692	18" RING & GRATE
2693	24" RING & GRATE
2694	21 7/8" GRATE ONLY
2695	24" RING & SOLID COVER

ITEM	EQ. NO.	A	B	C	D	F	G	H	I	J	L	M
2690	V3810-1	11 5/8	10 1/2	8 1/2	14 1/2	1 1/2	10 1/4	4	5/8	1 1/2	1/2	3/4
2691	V3810-2	14 5/8	13 1/2	11 1/2	17 5/8	1 1/2	13 1/4	4	7/8	1 1/2	1/2	1
2692	V3810-3	17 5/8	16 1/2	14 1/2	20 1/2	1 1/2	16 1/4	4	7/8	1 1/2	1/2	1
2693	V3810-4	23 9/16	22 1/8	20 1/4	26 5/8	1 1/2	21 7/8	4	7/8	1 1/2	1/2	1

ITEM # : 2700 - 2732

EQ. V5600 SERIES REVERSIBLE FRAME & GRATE



ITEM# 2731 FRAME & GRATE

ITEM #	DESCRIPTION
2700	13.375" X 13.375" GRATE & REVERSIBLE
2701	13.375" X 13.375" GRATE ONLY 1.5"
2702	13.375" X 13.375" FRAME ONLY 4", 11.625 CLEAR
2705	19.75" X 19.75" GRATE & REVERSIBLE FRAME
2706	19.75" X 19.75" GRATE ONLY 1.5"
2707	19.75" X 19.75" REVERSIBLE FRAME ONLY 4"
2708	19.75" X 19.75" FRAME ONLY 6"
2710	23.75" X 23.75" GRATE & REVERSIBLE FRAME
2711	23.75" X 23.75" GRATE ONLY
2712	23.75" X 23.75" REVERSIBLE FRAME ONLY 4"
2713	25.75" X 25.75" GRATE 1.5" & FRAME 6"
2715	25.75" X 25.75" GRATE & REVERSIBLE FRAME
2716	25.75" X 25.75" GRATE ONLY 1.5"
2717	25.75" X 25.75" REVERSIBLE FRAME ONLY 4"
2718	25.75" X 25.75" FRAME ONLY 6"
2725	31.75" X 31.75" GRATE & REVERSIBLE FRAME
2726	31.75" X 31.75" GRATE ONLY
2727	31.75" X 31.75" REVERSIBLE FRAME ONLY 4"
2728	37.75" X 37.75" GRATE & REVERSIBLE FRAME
2729	37.75" X 37.75" GRATE ONLY
2730	37.75" X 37.75" REVERSIBLE FRAME ONLY 4"
2732	37.75" X 37.75" FRAME ONLY 6"

ITEM NO.	EQ. NO.	A (IN)	B (IN)	C (IN)	D (IN)
2700	V5613	13 3/8 X 13 3/8	1 1/2	11 5/8 X 11 5/8	13 5/8 X 13 5/8
2705	V5620	19 3/4 X 19 3/4	1 1/2	18 X 18	20 X 20
2710	V5622	23 3/4 X 23 3/4	1 1/2	22 X 22	24 X 24
2715	V5624	25 3/4 X 25 3/4	1 1/2	24 X 24	26 X 26
2725	V5630	31 3/4 X 31 3/4	1 1/2	30 X 30	32 X 32
2728	V5636	37 3/4 X 37 3/4	1 1/2	36 X 36	38 X 38
2731	V457	37 7/8 X 27 7/8	2	38 1/4 X 26 1/4	36 1/2 X 24 1/2

GRATE	SLOT	OPEN AREA	FLOW RATE
2701	4 5/8" X 1 3/8" - 10 Nos.	69.89 sq. in.	1.69 ft ³ /sec.
2706	8 1/4" X 1 1/2" - 16 Nos.	198.00 sq. in.	5.23 ft ³ /sec.
2711	6 3/4" X 1 5/16" - 33 Nos.	291.80 sq. in.	7.70 ft ³ /sec.
2716	7 1/4" X 1 1/4" - 36 Nos.	326.25 sq. in.	8.61 ft ³ /sec.
2726	6 5/8" X 1 7/16" - 52 Nos.	496.45 sq. in.	13.10 ft ³ /sec.
2729	8" X 1 9/16" - 60 Nos.	748.80 sq. in.	19.76 ft ³ /sec.
2731G	6 13/16" X 1 3/8" - 42 Nos.	394.71 sq. in.	10.42 ft ³ /sec.

*Open Area & Flow Rate Values are Approximate.

Load Rating : Heavy Duty (H-20/HS-20 & AASHTO M306)

Material : Cast Iron, ASTM A48 Class 30B

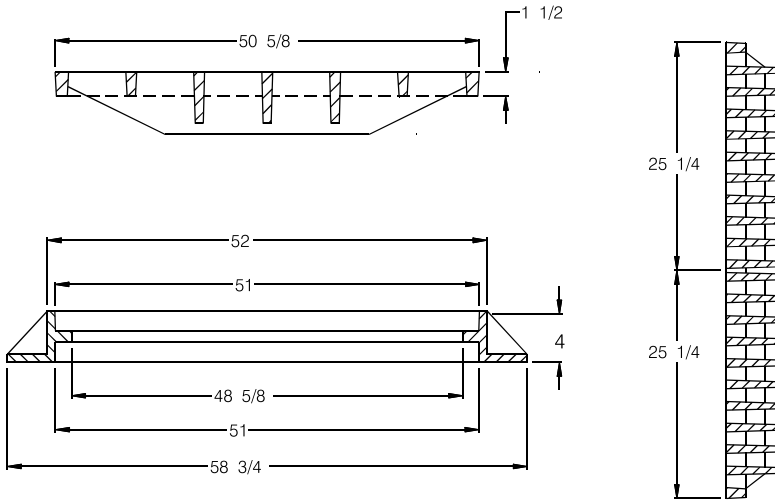
Dimensions : All are in Inch

ITEM NO.	EQ. NO.	E (IN)	F (IN)
2700	V5613	19 1/8 X 19 1/8	4
2705	V5620	25 1/2 X 25 1/2	4
2710	V5622	29 1/4 X 29 1/4	4
2715	V5624	31 1/2 X 31 1/2	4
2725	V5630	37 1/2 X 37 1/2	4
2728	V5636	43 1/2 X 43 1/2	4
2731	V457	40 X 28	3

2731	37.875" X 25.875" HEAVY DUTY ANGLE F & G EQ. 457
2731F	37.875" X 25.875" HEAVY DUTY ANGLE FRAME ONLY
2731G	37.875" X 25.875" HEAVY DUTY ANGLE GRATE ONLY

EQ. V5648 50.625" REVERSIBLE FRAME & GRATE

ITEM # : 2734 - 2736



ITEM #	DESCRIPTION
2734	50.625" X 50.625" GRATE & REVERSIBLE FRAME
2735	50.625" X 50.625" 2 PC. GRATE ONLY
2736	50.625" X 50.625" REVERSIBLE FRAME ONLY

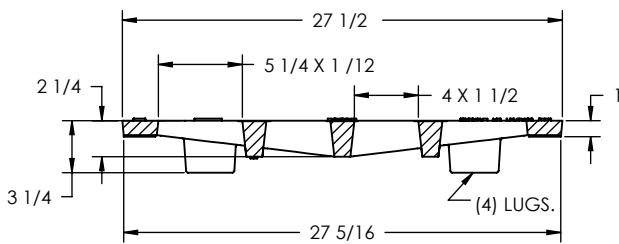
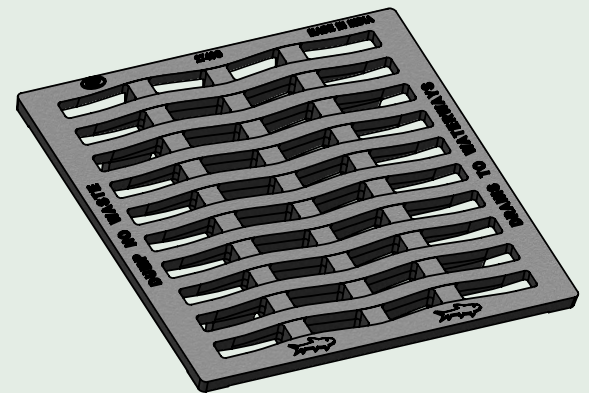
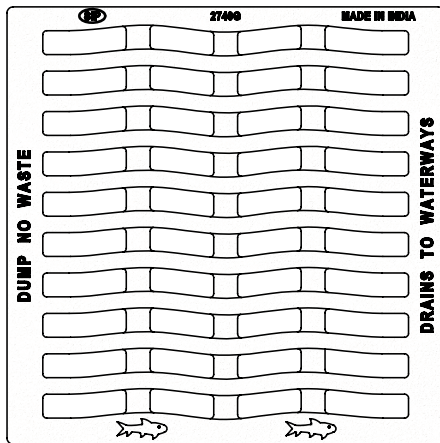
GRATE	SLOT	OPEN AREA	FLOW RATE
Standard	7 5/16" X 1 9/16" - 60 Nos. (each)	684.22 sq. in.	18.06 ft ³ /sec.

*Open Area & Flow Rate Values are Approximate.

Load Rating : Heavy Duty (AASHTO M306)
Material : Cast Iron, ASTM A48 Class 35B
Dimensions : All are in Inch

27 1/2" X 27 1/2" HEAVY DUTY SINUSOIDAL GRATE

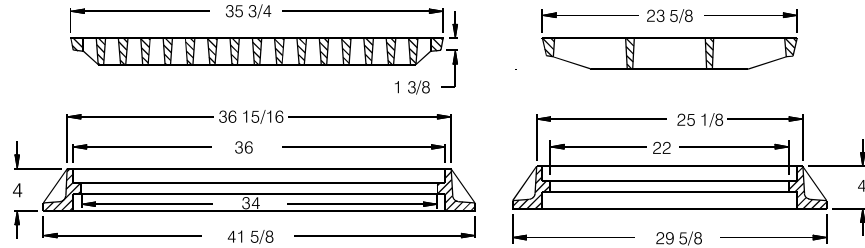
ITEM # : 2740G



GRATE	SLOT	OPEN AREA	FLOW RATE
Standard	5 1/4" X 1 1/2" - 20 Nos. 4" X 1 1/2" - 20 Nos.	277.50 sq. in.	7.32 ft ³ /sec.

*Open Area & Flow Rate Values are Approximate.

Load Rating : Heavy Duty (H-20/HS-20)
Material : Cast Iron, ASTM A48 Class 30B
Dimensions : All are in Inch

ITEM # : 2746 - 2748
EQ. V5660 23 3/4" X 35 3/4" REVERSIBLE FRAME & GRATE


GRATE	SLOT	OPEN AREA	FLOW RATE
Standard	6 1/2" X 1 5/16" - 48 Nos.	408.72 sq. in.	10.79 ft ³ /sec.

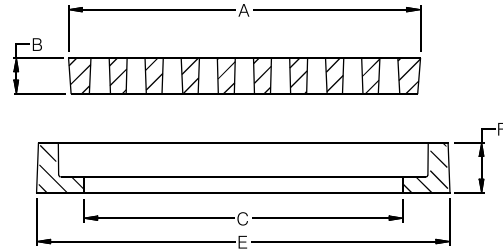
*Open Area & Flow Rate Values are Approximate.

Load Rating : Heavy Duty (H-20/HS-20)

Material : Cast Iron, ASTM A48 Class 30B

Dimensions : All are in Inch

ITEM #	DESCRIPTION
2746	23.75 X 35.75" GRATE & REVERSIBLE FRAME
2747	23.75 X 35.75" GRATE ONLY 1.5"
2748	REVERSIBLE FRAME ONLY 4"

ITEM # : 2753 - 2782
EQ. V5700 SERIES L FRAME & GRATE


ITEM NO.	EQ. NO.	E (IN)	F (IN)
2753	V5712	13 X 13	1 1/2
2759	V5714	15 7/8 X 15 7/8	1 1/2
2768	V5720	21 1/4 X 21 1/4	2
2771	V5724	25 7/8 X 25 7/8	2 5/8
2772	V5724.80	25 7/8 X 25 7/8	2 5/8
2776	V5732	33 3/4 X 33 3/4	2 3/4
2780	V5736	40 3/4 X 40 3/4	2 3/4

ITEM NO.	EQ. NO.	A (IN)	B (IN)	C (IN)
2753	V5712	12 X 12	1	10 1/2 X 10 1/2
2759	V5714	14 3/8 X 14 3/8	1	12 7/8 X 12 7/8
2768	V5720	19 3/4 X 19 3/4	1 1/2	18 X 18
2771	V5724	24 X 24	1 7/8	22 1/4 X 22 1/4
2772	V5724.80	24 X 24	1 7/8	22 1/4 X 22 1/4
2776	V5732	31 7/8 X 31 7/8	1 7/8	30 1/4 X 30 1/4
2780	V5736	38 1/2 X 38 1/2	2	36 1/2 X 36 1/2

GRATE	SLOT	OPEN AREA	FLOW RATE
2754	4 1/2" X 1" - 12 Nos.	54.00 sq. in.	1.43 ft ³ /sec.
2761	5 11/16" X 1" - 14 Nos.	79.66 sq. in.	2.10 ft ³ /sec.
2770	8 1/4" X 1 3/8" - 16 Nos.	182.16 sq. in.	4.81 ft ³ /sec.
2772	6 5/8" X 1 9/16" - 27 Nos.	279.26 sq. in.	7.37 ft ³ /sec.
2774	6 15/16" X 1 5/8" - 30 Nos.	339.37 sq. in.	8.96 ft ³ /sec.
2777	8 7/8" X 1 1/2" - 36 Nos.	479.52 sq. in.	12.65 ft ³ /sec.
2781	8 1/4" X 1 5/16" - 64 Nos.	691.68 sq. in.	18.25 ft ³ /sec.

*Open Area & Flow Rate Values are Approximate.

Load Rating : Heavy Duty (H-20/HS-20 & AASHTO M306)

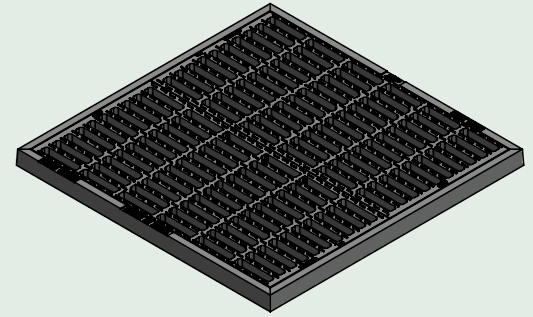
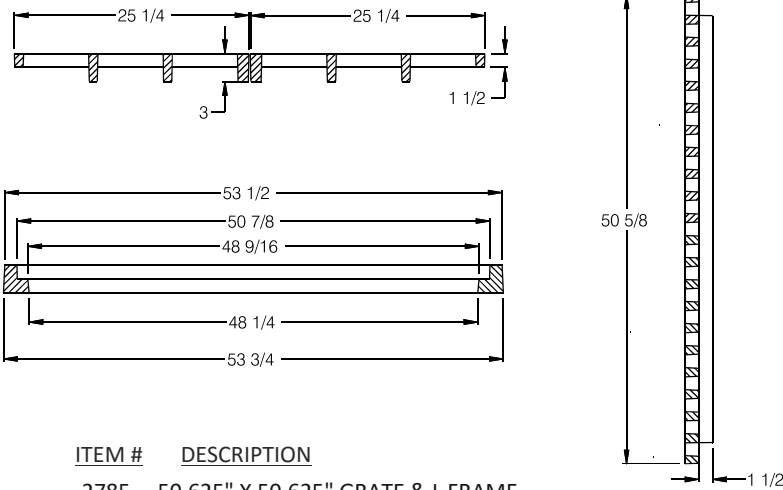
Material : Cast Iron, ASTM A48 Class 30B

Dimensions : All are in Inch

ITEM #	DESCRIPTION
2753	12" X 12" X 1" GRATE & L FRAME
2754	12" X 12" X 1" GRATE ONLY
2755	12" X 12" L FRAME ONLY
2759	14.375" X 14.375" GRATE & L FRAME 12.875" CLEAR
2760	14.375" X 14.375" L FRAME ONLY
2761	14.375" X 14.375" GRATE ONLY
2768	19.75" X 19.75" GRATE & L FRAME 18" X 18" CLEAR
2769	19.75" X 19.75" L FRAME ONLY
2770	19.75" X 19.75" GRATE ONLY
2771	24" X 24" GRATE & L FRAME
2771N	24" X 24" GRATE & FRAME MODIFIED VERSION CI
2772	24" X 24" GRATE 1.875"
2772N	24" X 24" GRATE 1.875" CI
2773	24" X 24" ADA GRATE 1.875"
2774	24" X 24" DUCTILE IRON GRATE ONLY
2775	L FRAME ONLY 2.625" CLEAR 22.25"
2776	31.875" X 31.875" GRATE & L FRAME
2777	31.875" X 31.875" GRATE ONLY
2778	31.875" X 31.875" L FRAME ONLY
2779	24" X 24" DUCTILE IRON GRATE & FRAME
2780	38.5" X 38.5" GRATE & L FRAME
2781	38.5" X 38.5" GRATE ONLY
2782	38.5" X 38.5" L FRAME ONLY

EQ. V5748 50.625" L FRAME & GRATE

ITEM # : 2785 - 2786



ITEM #	DESCRIPTION
2785	50.625" X 50.625" GRATE & L FRAME
2785F	50.625" X 50.625" L FRAME ONLY
2786	50.625" X 50.625" GRATE ONLY

GRATE	SLOT	OPEN AREA	FLOW RATE
Standard	7 5/16" X 1 9/16" - 60 Nos. (each)	684.22 sq. in.	18.06 ft ³ /sec.

*Open Area & Flow Rate Values are Approximate.

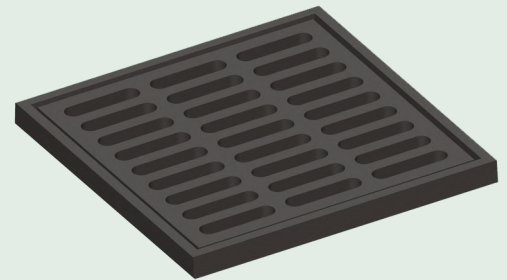
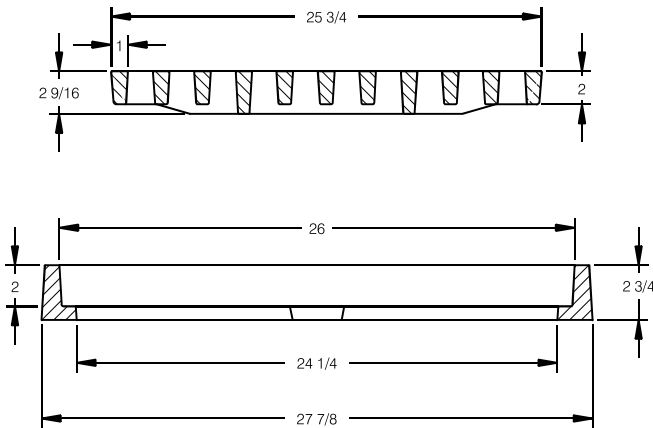
Load Rating : Heavy Duty (AASHTO M306)

Material : Cast Iron, ASTM A48 Class 35B

Dimensions : All are in Inch

26" X 26" FRAME & GRATE

ITEM # : 2790



GRATE	SLOT	OPEN AREA	FLOW RATE
Standard	7 1/4" X 1 1/2" - 30 Nos.	326.25 sq. in.	8.61 ft ³ /sec.

*Open Area & Flow Rate Values are Approximate.

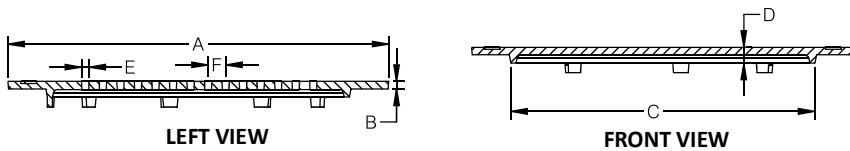
Load Rating : Heavy Duty (H-20/HS-20)

Material : Cast Iron, ASTM A48 Class 35B

Dimensions : All are in Inch

GRATES EQ. NYLOPLAST

ITEM # : 2800 - 2801



ITEM NO.	EQ. NO.	A (IN)	B (IN)	C (IN)	D (IN)	E (IN)	F (IN)
2800	2818AG	21 5/8	1/2	16 3/4	1	7/16	1 7/32
2801	2824AG	28	9/16	22 1/4	1 1/8	7/16	1 7/32

ITEM #	EQ. #	DESCRIPTION
2800	2818AG	18" GRATE EQ. NYLOPLAST 2818AG
2801	2824AG	24" GRATE EQ. NYLOPLAST 2824AG



GRATE	OPEN AREA	FLOW RATE
2800	65.60 sq. in.	1.73 ft ³ /sec.
2801	137.96 sq. in.	3.64 ft ³ /sec.

*Open Area & Flow Rate Values are Approximate.

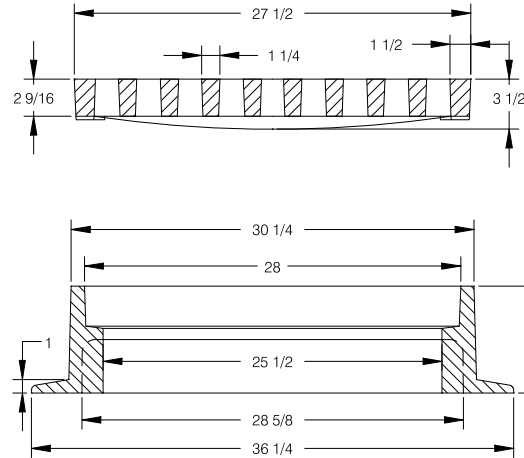
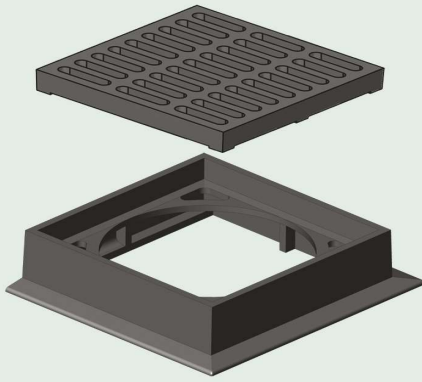
Load Rating : Non-Traffic (Sidewalks, Terraces)

Material : Cast Iron, ASTM A48 Class 35B

Dimensions : All are in Inch

ITEM # : 3510

TYPE E-1 CATCH BASIN FRAME & GRATE



GRATE	SLOT	OPEN AREA	FLOW RATE
Standard	7 1/2" X 1 11/16" - 27 Nos.	342.23 sq. in.	9.03 ft ³ /sec.

*Open Area & Flow Rate Values are Approximate.

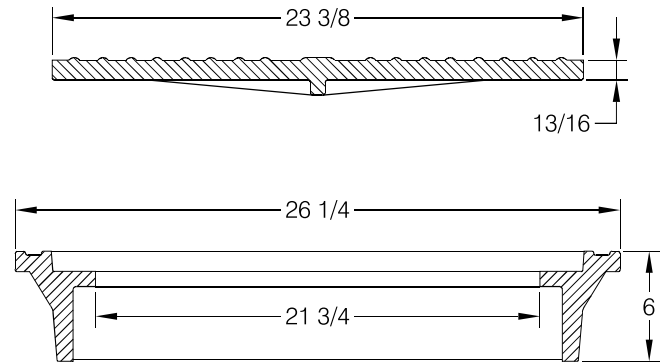
Load Rating : Heavy Duty (AASHTO M306)

Material : Cast Iron, ASTM A48 Class 35B

Dimensions : All are in Inch

ITEM # : 4380

EQ. 226L RING & LID



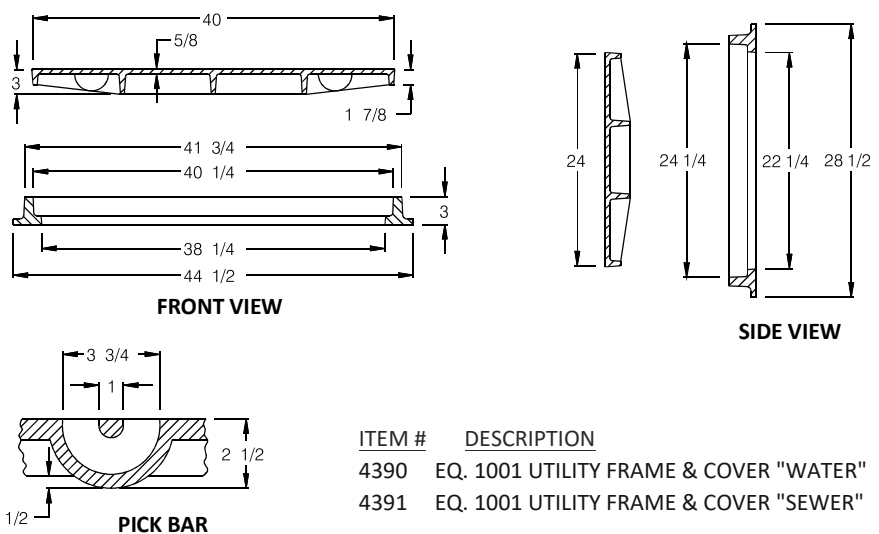
Load Rating : Heavy Duty (H-20/HS-20)

Material : Cast Iron, ASTM A48 Class 30B

Dimensions : All are in Inch

ITEM # : 4390 - 4391

EQ. V6780 1001 UTILITY FRAME & COVER



Load Rating : Heavy Duty (H-20/HS-20)

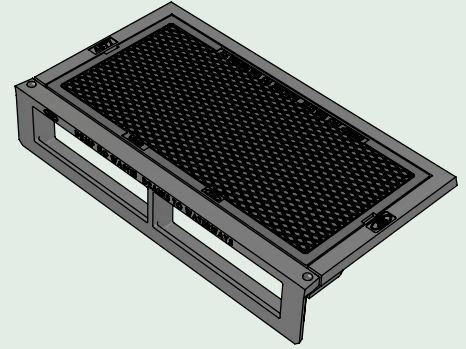
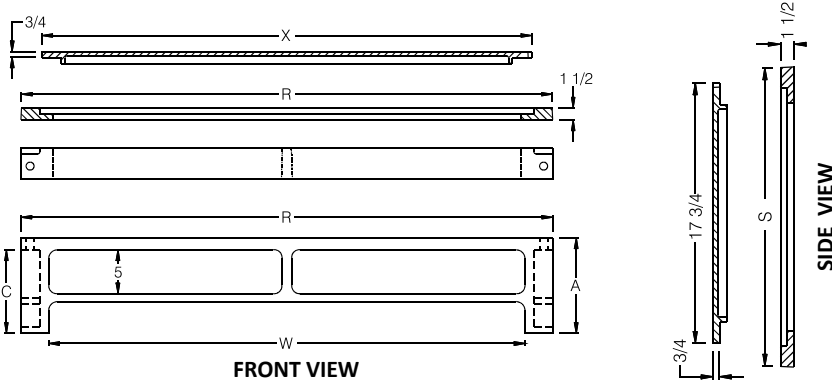
Material : Cast Iron, ASTM A48 Class 35B

Dimensions : All are in Inch

ITEM #	DESCRIPTION
4390	EQ. 1001 UTILITY FRAME & COVER "WATER"
4391	EQ. 1001 UTILITY FRAME & COVER "SEWER"

MS CURB PLATE & FRAME

ITEM # : 4576 - 4577



ITEM # DESCRIPTION

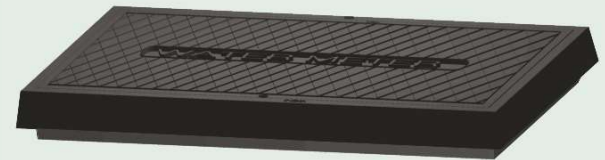
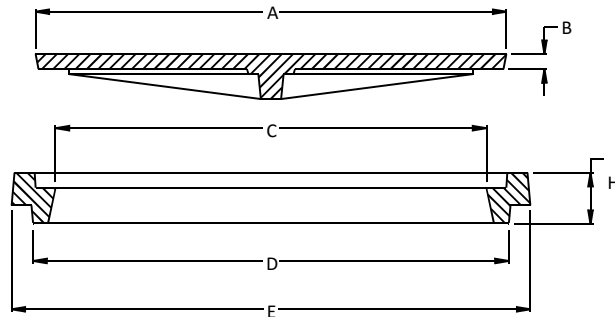
- 4576 5' MS CURB PLATE & FRAME
- 4577 4' CURB INLET FRAME & COVER
- 4577C 4' CURB INLET COVER ONLY
- 4577F 4' CURB INLET FRAME ONLY
- 4577G 4' CURB INLET FRONT GRATE ONLY
- 4577H 4' CURB INLET FRAME & COVER HARDWARE

ITEM NO.	EQ. NO.	A	C	R	S	W	X
4577	V-4342-1	13 1/2	12	55	22 1/2	48	49 3/4
4576	V-4343-1	13 1/2	12	67	22 1/2	60	61 3/4

Load Rating : Heavy Duty (H-20/HS-20 & AASHTO M306)
Material : Cast Iron, ASTM A48 Class 35B
Dimensions : All are in Inch

NON - TRAFFIC FRAME & GRATE TENNESSEE

ITEM # : 5300 - 5305



ITEM NO.	EQ. NO.	A	B	C	D	E	H
5300	V8438	21 3/4 X 13 3/4	5/8	12 X 20	14 X 21 3/4	16 X 24	2 1/4
5305	V8435	31 1/2 X 14 1/2	5/8	13 X 30	14 1/2 X 31 1/4	16 3/4 X 33 3/4	2 1/2

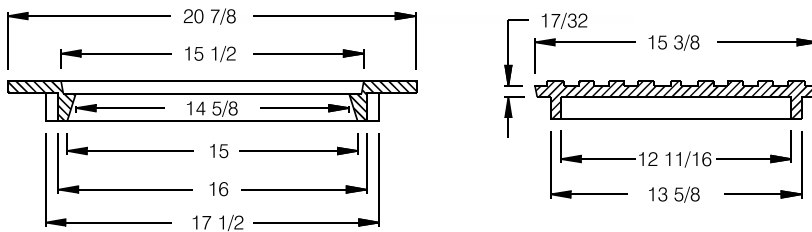
ITEM # DESCRIPTION

- 5300 NON-TRAFFIC F&G 13 3/4" X 21 3/4", TENNESSEE
- 5305 NON-TRAFFIC F&G 14 1/2" X 31 1/2", TENNESSEE

Load Rating : Non-Traffic (Sidewalk, Terraces)
Material : Cast Iron, ASTM A48 Class 30B
Dimensions : All are in Inch

15 3/8" ASHEVILLE RING & LID

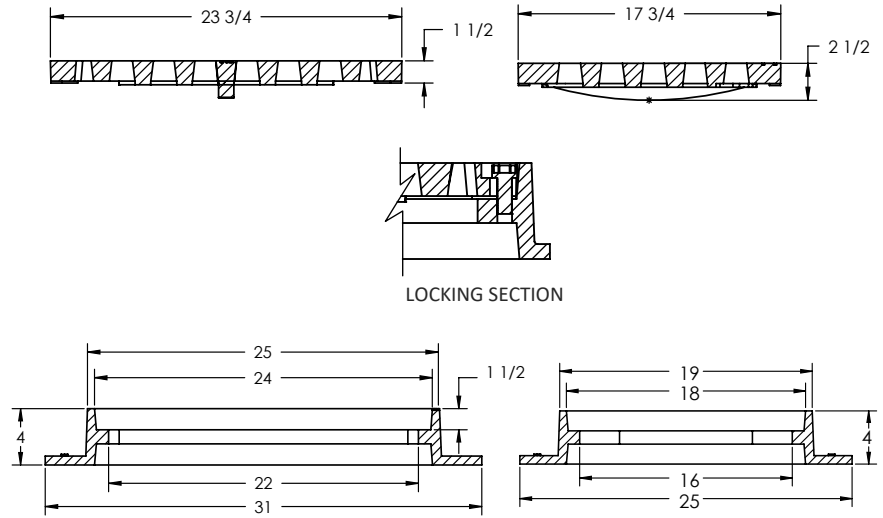
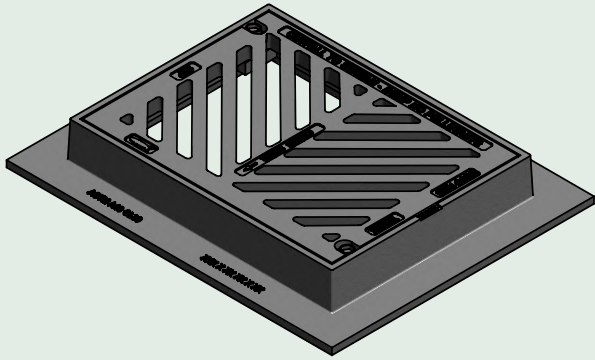
ITEM # : 5730



ITEM # DESCRIPTION

- 5730 ASHEVILLE RING & LID W/ READER HOLE
- 5730S ASHEVILLE RING & LID W/ SOLID LID

Load Rating : Heavy Duty (H-20/HS-20)
Material : Cast Iron, ASTM A48 Class 30B
Dimensions : All are in Inch

ITEM # : 7200
24" X 18" REVERSIBLE LOCKING CI FRAME & GRATE EQ. SM50G


GRATE	SLOT	OPEN AREA	FLOW RATE
Standard	1 7/8" X 1" - 4 Nos.	151.32 sq. in.	3.99 ft ³ /sec.
	5 7/8" X 1" - 4 Nos.		
	9 7/8" X 1" - 4 Nos.		
	13 7/16" X 1" - 4 Nos.		
	13 1/2" X 1" - 2 Nos.		

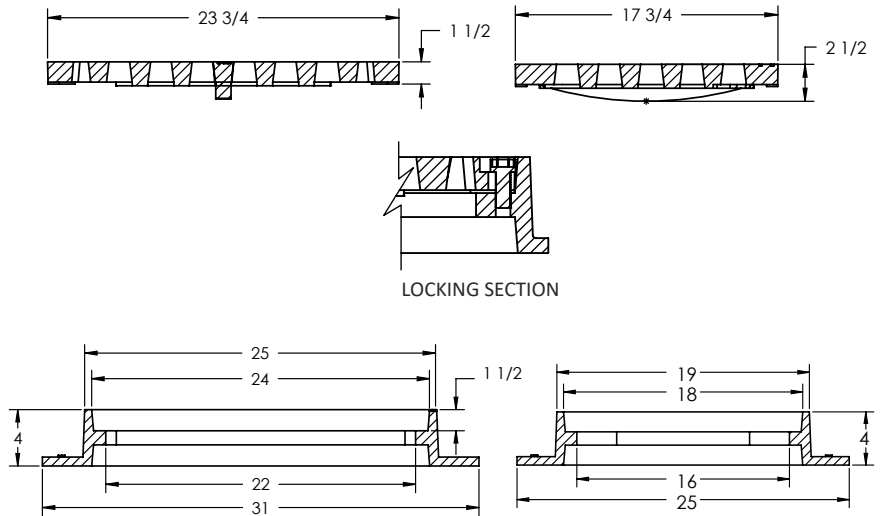
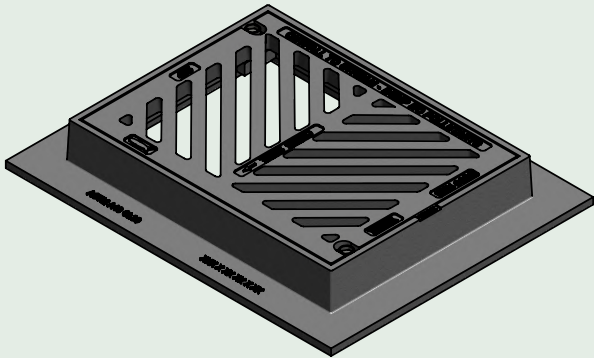
*Open Area & Flow Rate Values are Approximate.

Load Rating : Heavy Duty (H-20/HS-20)

Material : Cast Iron, ASTM A48 Class 30B

Dimensions : All are in Inch

ITEM #	DESCRIPTION
7200	24" X 18" REVERSIBLE LOCKING CI FRAME & GRATE EQ. SM50G
7200F	24" X 18" REVERSIBLE LOCKING CI FRAME ONLY EQ. SM50G
7200G	24" X 18" REVERSIBLE LOCKING CI GRATE ONLY EQ. SM50G

ITEM # : 7200W
24" X 18" REVERSIBLE LOCKING CI FRAME & DI GRATE EQ. SM50G


GRATE	SLOT	OPEN AREA	FLOW RATE
Standard	1 7/8" X 1 1/8" - 4 Nos.	171.00 sq. in.	4.51 ft ³ /sec.
	5 7/8" X 1 1/8" - 4 Nos.		
	9 7/8" X 1 1/8" - 4 Nos.		
	13 7/16" X 1 1/8" - 4 Nos.		
	13 1/2" X 1 1/8" - 2 Nos.		

*Open Area & Flow Rate Values are Approximate.

Load Rating : Heavy Duty (H-20/HS-20)

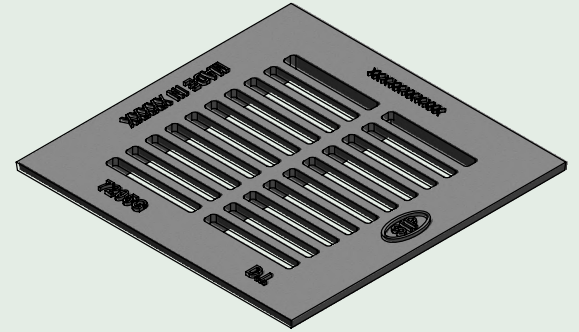
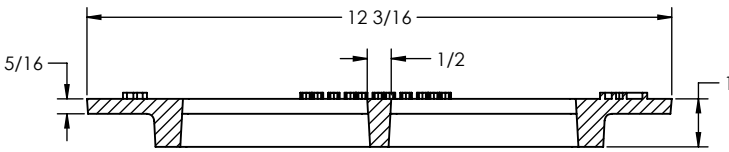
Material : Cast Iron, ASTM A48 Class 30B / D.I.

Dimensions : All are in Inch

ITEM #	DESCRIPTION
7200W	24" X 18" REVERSIBLE LOCKING CI FRAME & DI GRATE EQ. SM50G
7200WF	24" X 18" REVERSIBLE LOCKING CI FRAME ONLY EQ. SM50G
7200WG	24" X 18" REVERSIBLE LOCKING DI GRATE ONLY EQ. SM50G

12" X 12" DI YARD DRAIN GRATE ONLY

ITEM # : 7205G



GRATE	SLOT	OPEN AREA	FLOW RATE
Standard	3 7/8" X 1/2" - 20 Nos.	38.80 sq. in.	1.02 ft ³ /sec.

*Open Area & Flow Rate Values are Approximate.

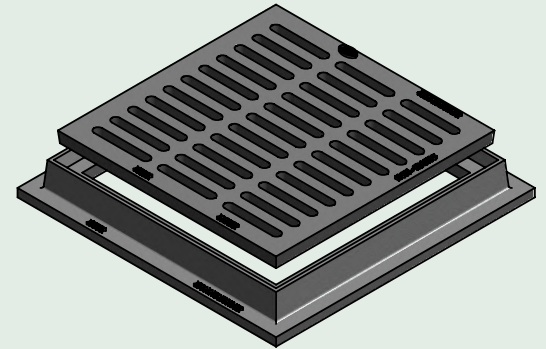
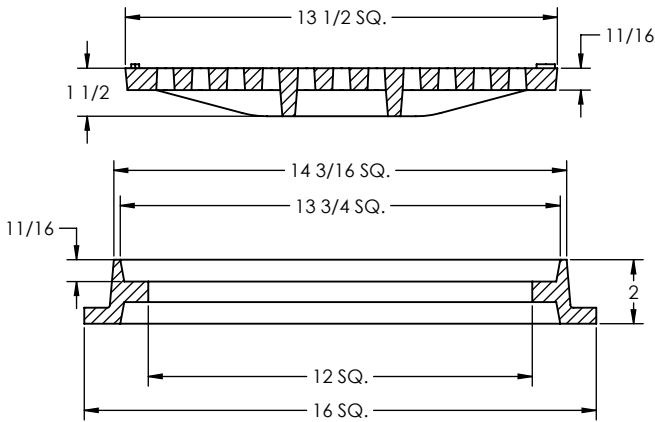
Load Rating : Heavy Duty (H-20/HS-20)

Material : Ductile Iron, ASTM A536

Dimensions : All are in Inch

17" X 17" SQ. REVERSIBLE FRAME & GRATE EQ. SM24

ITEM # : 7206



ITEM # DESCRIPTION

- 7206 17" X 17" SQ. REVERSIBLE FRAME & GRATE EQ. SM24
- 7206F 17" X 17" SQ. REVERSIBLE FRAME ONLY EQ. SM24
- 7206G 17" X 17" SQ. GRATE ONLY EQ. SM24

GRATE	SLOT	OPEN AREA	FLOW RATE
Standard	3 7/16" X 1/2" - 33 Nos.	56.76 sq. in.	1.49 ft ³ /sec.

*Open Area & Flow Rate Values are Approximate.

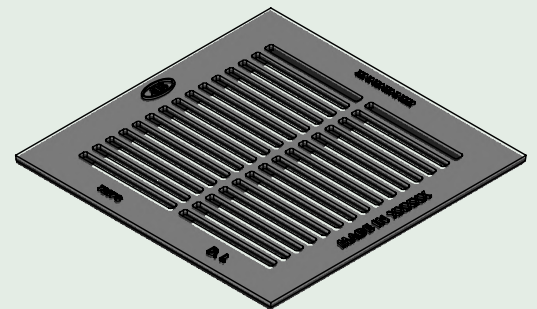
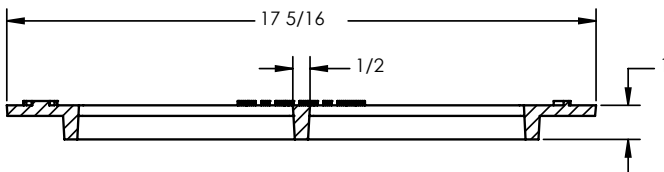
Load Rating : Heavy Duty (H-20/HS-20)

Material : Cast Iron, ASTM A48 Class 30B

Dimensions : All are in Inch

17" X 17" DI GRATE ONLY FOR TYPE 50 CATCH BASIN

ITEM # : 7207G



GRATE	SLOT	OPEN AREA	FLOW RATE
Standard	6 1/4" X 1/2" - 30 Nos.	93.75 sq. in.	2.47 ft ³ /sec.

*Open Area & Flow Rate Values are Approximate.

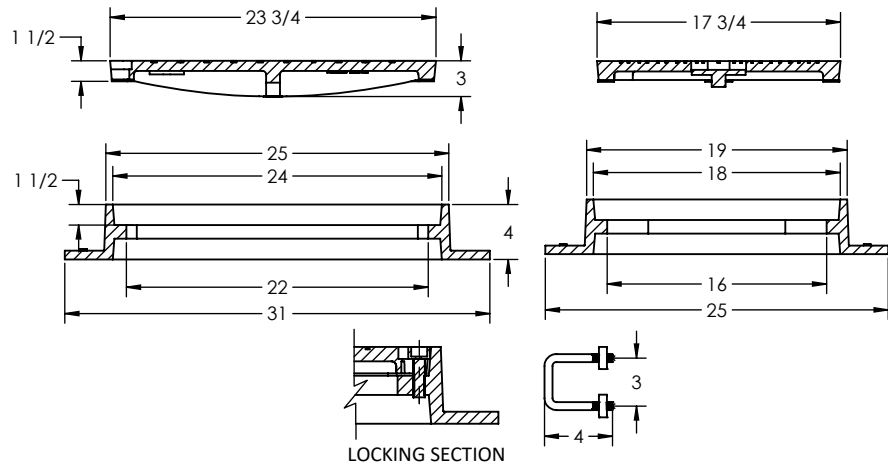
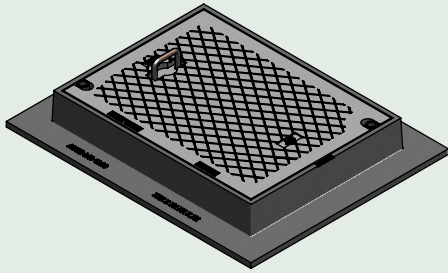
Load Rating : Heavy Duty (H-20/HS-20)

Material : Ductile Iron, ASTM A536

Dimensions : All are in Inch

ITEM # : 7208

18" X 24" LOCKING FRAME & DI COVER EQ. SM50S

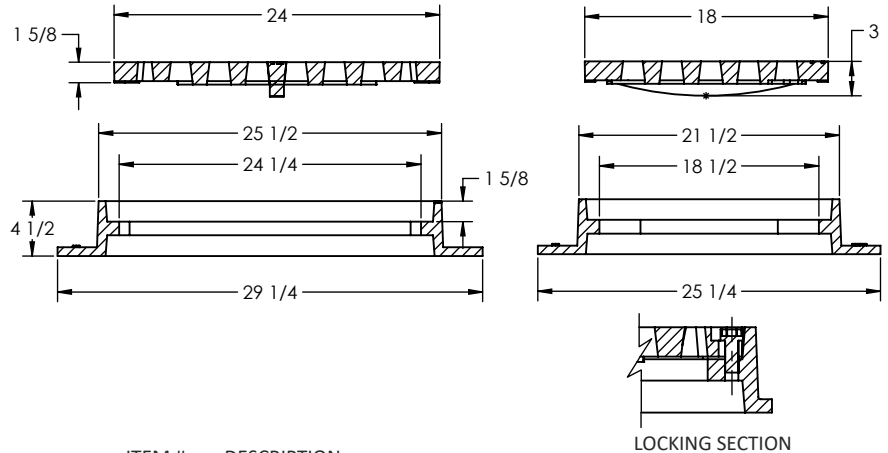
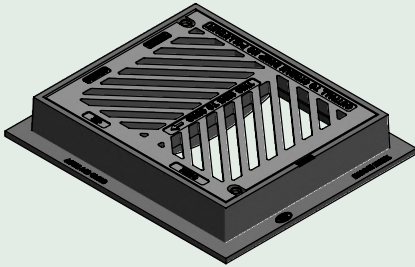


Load Rating : Heavy Duty (H-20/HS-20)
Material : Cast Iron, ASTM A48 Class 30B / D.I.
Dimensions : All are in Inch

ITEM #	DESCRIPTION
7208	18" X 24" LOCKING FRAME & DI SOLID COVER EQ. SM50S
7208F	18" X 24" LOCKING FRAME ONLY EQ. SM50S
7208G	18" X 24" DI SOLID COVER ONLY EQ. SM50S

ITEM # : 7209

20" X 24" REVERSIBLE LOCKING FRAME & DI GRATE EQ. SM60



GRATE	SLOT	OPEN AREA	FLOW RATE
Standard	1 3/16" X 5/8" - 2 Nos.	182.44 sq. in.	4.81 ft ³ /sec.
	1 7/8" X 1" - 2 Nos.		
	5 3/8" X 1" - 4 Nos.		
	8 7/8" X 1" - 4 Nos.		
	11 3/4" X 1" - 4 Nos.		
	12 3/16" X 1" - 6 Nos.		

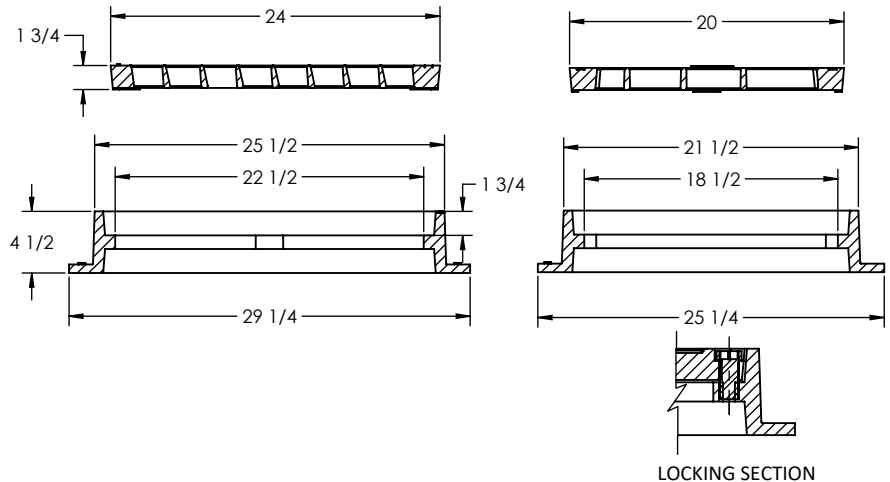
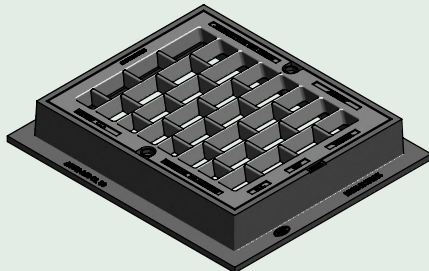
*Open Area & Flow Rate Values are Approximate.

Load Rating : Heavy Duty (H-20/HS-20)
Material : Cast Iron, ASTM A48 Class 30B / D.I.
Dimensions : All are in Inch

ITEM #	DESCRIPTION
7209	20" X 24" REVERSIBLE LOCKING FRAME & DI GRATE EQ. SM60
7209F	20" X 24" REVERSIBLE LOCKING FRAME ONLY EQ. SM60
7209G	20" X 24" DI GRATE ONLY EQ. SM60

ITEM # : 7210

20" X 24" REVERSIBLE LOCKING FRAME & DI VANED GRATE EQ. SM60



GRATE	SLOT	OPEN AREA	FLOW RATE
Standard	2" X 2 5/16" - 4 Nos.	215.82 sq. in.	5.70 ft ³ /sec.
	3 7/16" X 2 5/16" - 8 Nos.		
	3 3/4" X 2 5/16" - 4 Nos.		
	4" X 2 5/16" - 12 Nos.		
	5 1/8" X 2 5/16" - 4 Nos.		

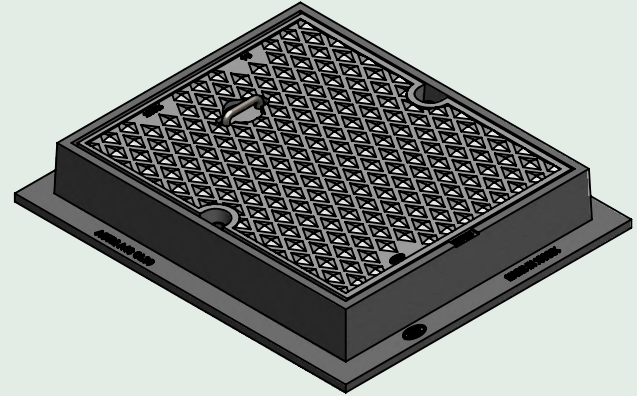
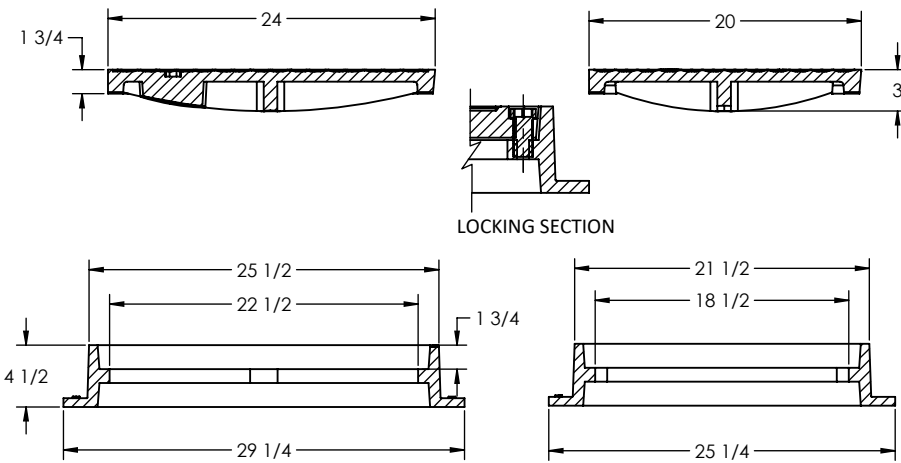
*Open Area & Flow Rate Values are Approximate.

Load Rating : Heavy Duty (H-20/HS-20)
Material : Cast Iron, ASTM A48 Class 35B
Dimensions : All are in Inch

ITEM #	DESCRIPTION
7210	20" X 24" REVERSIBLE LOCKING FRAME & DI VANED GRATE EQ. SM60
7210G	20" X 24" DI VANED GRATE ONLY EQ. SM60

20" X 24" REVERSIBLE FRAME & DI SOLID COVER EQ. SM60S

ITEM # : 7211

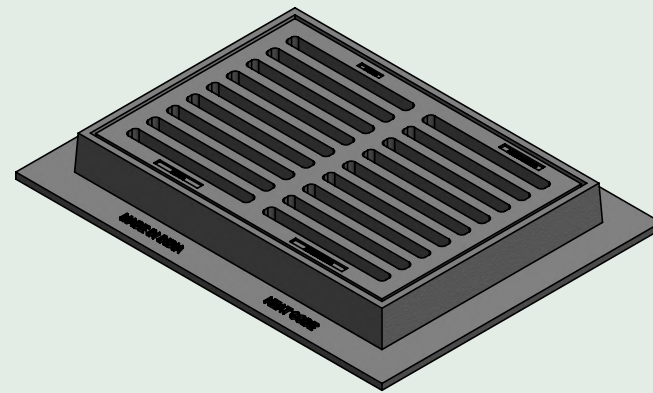
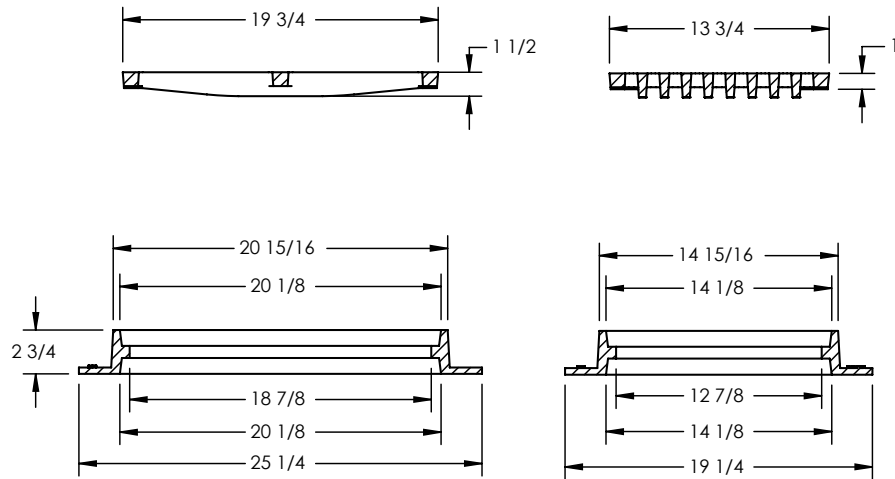


ITEM #	DESCRIPTION
7211	20" X 24" REVERSIBLE FRAME & DI SOLID COVER EQ. SM60S
7211F	20" X 24" REVERSIBLE FRAME ONLY EQ. SM60S
7211G	20" X 24" DI SOLID COVER ONLY EQ. SM60S

Load Rating : Heavy Duty (H-20/HS-20)
Material : Cast Iron, ASTM A48 Class 30B / D.I.
Dimensions : All are in Inch

12" X 18" FRAME & GRATE FOR TYPE 40 EQ. SM16

ITEM # : 7214



ITEM #	DESCRIPTION
7214	12" X 18" FRAME & GRATE FOR TYPE 40 EQ. SM16
7214F	12" X 18" FRAME ONLY FOR TYPE 40 EQ. SM16
7214G	12" X 18" GRATE ONLY FOR TYPE 40 EQ. SM16

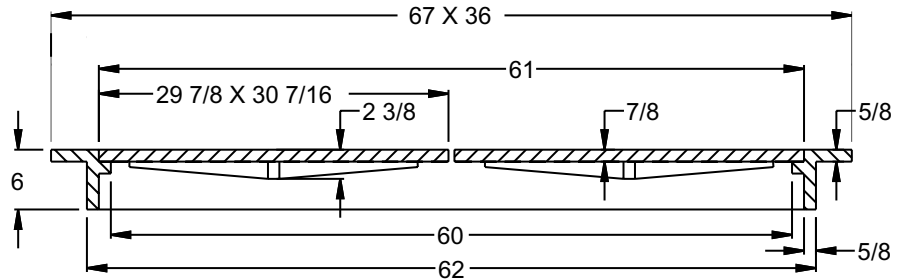
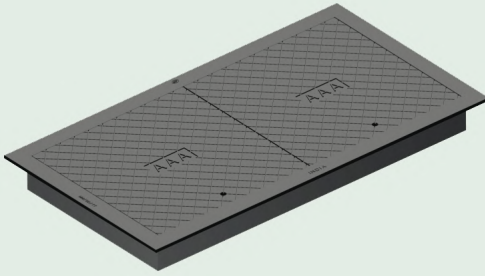
GRATE	SLOT	OPEN AREA	FLOW RATE
Standard	8 3/8" X 3/4" - 18 Nos.	113.13 sq. in.	2.99 ft ³ /sec.

*Open Area & Flow Rate Values are Approximate.

Load Rating : Heavy Duty (H-20/HS-20)
Material : Cast Iron, ASTM A48 Class 30B
Dimensions : All are in Inch

ITEM # : PR 7570

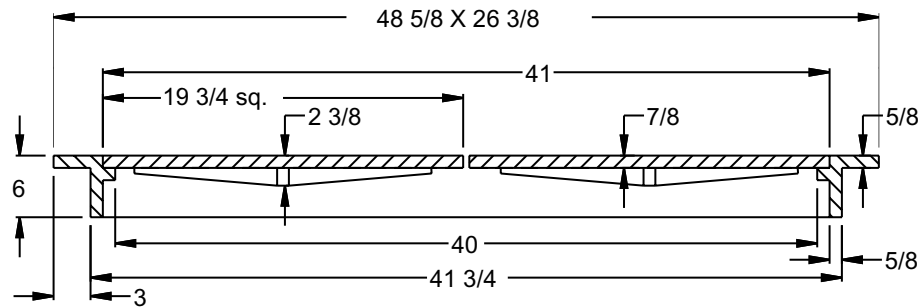
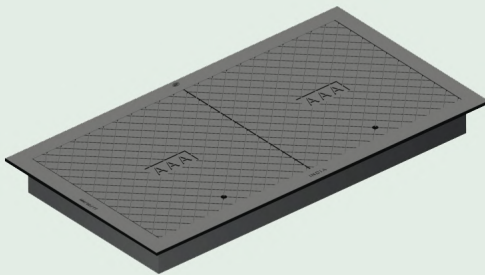
24" X 60" WATER METER FRAME & COVER



Load Rating : Heavy Duty (H-20/HS-20)
Material : Cast Iron, ASTM A48 Class 30B
Dimensions : All are in Inch

ITEM # : PR 7575

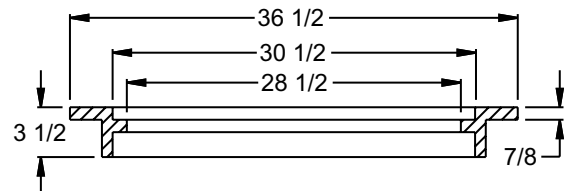
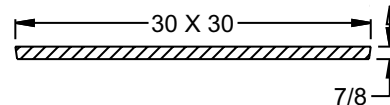
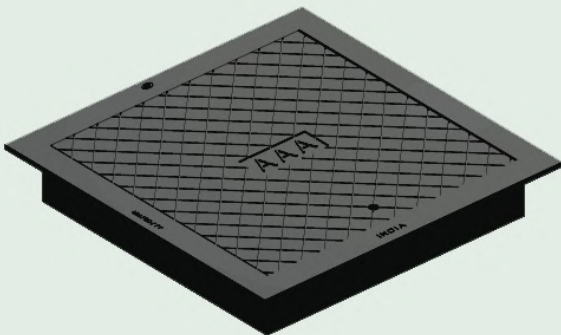
24" X 48" WATER METER FRAME & COVER



Load Rating : Heavy Duty (H-20/HS-20)
Material : Cast Iron, ASTM A48 Class 30B
Dimensions : All are in Inch

ITEM # : PR 7580

30" X 30" WATER METER FRAME & COVER

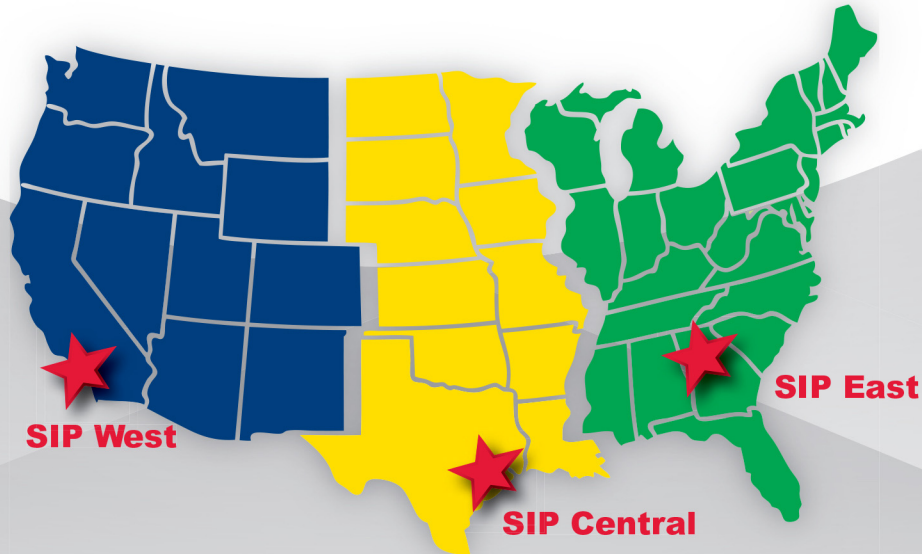


Load Rating : Heavy Duty (H-20/HS-20)
Material : Cast Iron, ASTM A48 Class 30B
Dimensions : All are in Inch



SIP Industries

Quality Manufacturers Since 1960



PRODUCT LINE

AWWA DI Fittings & Accessories

- C153 Compact MJ Fittings and Acc. 2" - 64"
- C110 Full Body MJ Fittings 2" - 64"
- C153 Trim Tyton® Push-On Fittings 4" - 24"
- C110 Flange Fittings 2" - 64"
- MJ x MJ Adapter for Connecting MJ Bells 3" - 24"
- Stainless Steel & Blue T-Bolts
- Made in India, China & Mexico
- Bare, Cement, Zinc, FBE & Other Linings

Joint Restraint System

- EZD Joint Restraint for DI Pipe 3" - 48"
- EZDTP Joint Restraint Tandem for DI Pipe 3" - 48"
- EZDPTP Joint Restraint for Push-On Joints DI Pipe 3" - 48"
- Ductile Iron Retainer Glands 3" - 30"
- FAR / FAH Flange Adapter for DI Pipe 3" - 48"
- EZFA Restrained Flange Adapter for DI and PVC Pipe 3" - 36"
- EZPVC Joint Restraint for PVC Pipe 3" - 36"
- ULTRA Joint Restraint for PVC Pipe 4" - 12"
- EZPVCPTP Joint Restraint for Push-On Joints PVC Pipe 14" - 36"
- PTPVC Pipe to Pipe Restraint 4" - 48"
- PTPDF Pipe to MJ Fittings Restraint 4" - 48"
- PTPFC Pipe to PVC Fittings Restraint 4" - 12"
- Made in China & USA
- EZ Shield or Shop Coating

Municipal Construction Castings

- Manhole Rings and Cover
- Frames and Grates
- Valve Boxes and Service Boxes
- Water Meter Covers and Boxes
- Cleanout and Monument Boxes
- Detectable Warning Plates
- Extension Rings
- Trench Grates and Tree Grates
- Made in India & USA

Fabrication Products for DI Pipe

- High Hub Flanges Class 150 and 250. 3" - 64"
- Threaded Bell Flanges 3" - 48"
- Anchor Flanges 3" - 60"
- Filler Flanges 4" - 30"

Other Products and Services

- All Thread Rod
- Pipe Lube and Hydraulic Cement
- Socket Clamps and Lugs
- Flange Packs
- OEM Castings



SIP CORPORATE 8876 Gulf Freeway, Suite 500, Houston, TX 77017

SIP CENTRAL 2900 Patio Drive, Houston, TX 77017

SIP EAST 600 Rayloc Drive, Atlanta, GA 30336

SIP WEST 8333 Almeria Avenue, Fontana, CA 92335

Phone: 877-921-6111 or 713-923-6111 | Fax: 713-923-6114 | www.sipindustries.com | sales@sipindustries.com