



# SIP Industries

Quality Manufacturers Since 1960



## Cleanout & Monument Boxes

V 0524-01

[www.sipindustries.com](http://www.sipindustries.com)

Toll Free 877-921-6111



★ ★ ★  
**SIP INDUSTRIES**  
SERAMPORE  
SINCE 1960

**TABLE OF CONTENTS**

<b>ITEM #</b>	<b>DESCRIPTION</b>	<b>PAGE #</b>
2866	8" CLEANOUT RING & LID EQ. H-8020	Page : CMB 3
5050 - 5054	CI GATE CAP	Page : CMB 3
5100	TULSA LAMP POLE BASE & LID	Page : CMB 3
5216	KANSAS 4" TOP & LID EQ. CB 2197	Page : CMB 4
5218	KANSAS 6" TOP & LID EQ. CB 2194	Page : CMB 4
5237/6458	MUSHROOM LID	Page : CMB 4
5700 - 5702	WILMINGTON CLEAN OUT BOX & LID	Page : CMB 5
5705 - 5707	WILMINGTON MONUMENT BOX	Page : CMB 5
5718	CLEANOUT MONUMENT BOX & LID	Page : CMB 5
5743	9" X 10" CLEANOUT RING & COVER	Page : CMB 6
6384	6" X 10" SEWER CLEANOUT	Page : CMB 6
6450	MIAMI DADE HEXAGON SEWER CLEANOUT	Page : CMB 6
6457	DYER BOX RING & COVER CLEAN OUT	Page : CMB 7
6460	CLEAN-OUT LATERAL VALVE	Page : CMB 7
6499	12" SEWER CLEANOUT R&C W.T. MARKED "MSDGC"	Page : CMB 7
6500	CLEAN-OUT HAND HOLE RING & COVER 'S'	Page : CMB 8
6502	SEWER CLEAN OUT BOTTOM FLANGE	Page : CMB 8
6503 - 6503W	CLEAN OUT TOP FLANGE NEW	Page : CMB 9
6503B	10" SEWER CLEAN OUT TOP FLANGE NEW	Page : CMB 9
6504	SEWER CLEAN OUT TOP FLANGE	Page : CMB 9
6505 - 6507	SANITARY CLEAN OUT Y-BOOT	Page : CMB 10
6999	10 1/4" CLEAN OUT FRAME & SEWER LID	Page : CMB 10
USF 6993	7616 VALVE BOX W/KX COVER	Page : CMB 11
USF 7610	8" LAMPHOLE CLEANOUT DOMESTIC	Page : CMB 11
7201	9" X 6 1/2" CLEANOUT RING & COVER EQ. M1018	Page : CMB 12
7201-L	9" X 6 1/2" LOCKING CLEANOUT RING & COVER EQ. M1018	Page : CMB 12
7202 - 7202D	14" X 4" REVERSIBLE LOCKING RING & COVER EQ. M1060	Page : CMB 13
7203CO - 7203SWR	8" X 4" CLEANOUT RING & COVER EQ. M1007	Page : CMB 13
7203CO-L - 7203SWR-L	8" X 4" LOCKING CLEANOUT RING & COVER EQ. M1007	Page : CMB 14
7212	4" X 12" CO FRAME & COVER EQ. MH05	Page : CMB 14
7212-L - 7212SWR-L	4" X 12" CO LOCKING FRAME & COVER EQ. MH05	Page : CMB 15
7213	11" X 8" SEWER LOCKING RING & COVER	Page : CMB 15

Contd.....

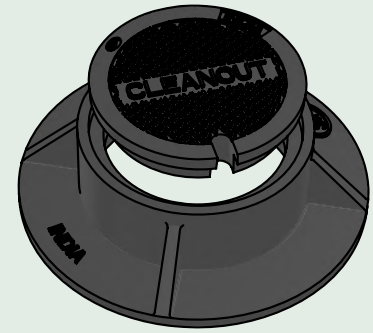
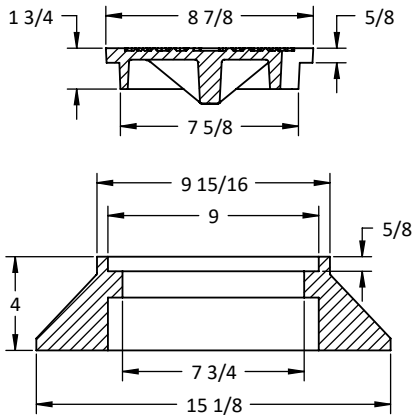
**TABLE OF CONTENTS**

<u>ITEM #</u>	<u>DESCRIPTION</u>	<u>PAGE #</u>
7401S - 7401W	10" X 8" MONUMENT RING & COVER EQ. M1020	Page : CMB 16
7403S	6" X 8 1/2" MONUMENT RING & SEWER COVER EQ. M1001	Page : CMB 16

- All dimensions are in inches unless noted otherwise.
- All weights are approximate in pounds unless noted otherwise.

8" CLEANOUT RING & LID EQ. H-8020

ITEM # : 2866

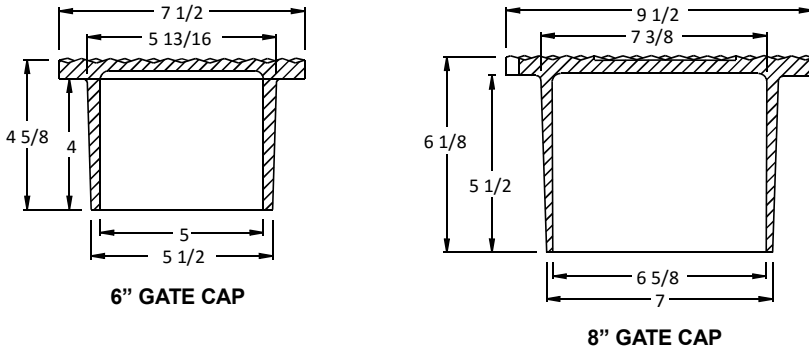


ITEM #	DESCRIPTION
2866	8" CLEANOUT RING & LID EQ. H-8020
2866C	8" CLEANOUT LID ONLY
2866R	8" CLEANOUT RING ONLY
2866SW	8" CLEANOUT RING & SEWER LID EQ. H-8020
2866CSW	8" CLEANOUT SEWER LID ONLY

Material : Cast Iron, ASTM A48, Class 30B  
 Dimensions : All are in Inch

CI GATE CAP

ITEM # : 5050 - 5054

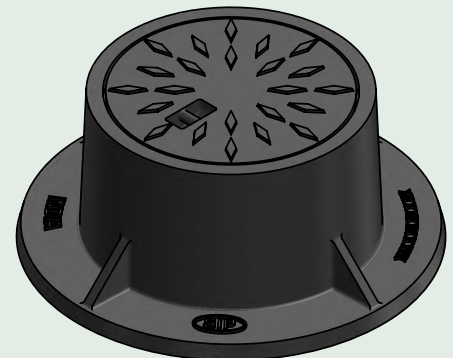
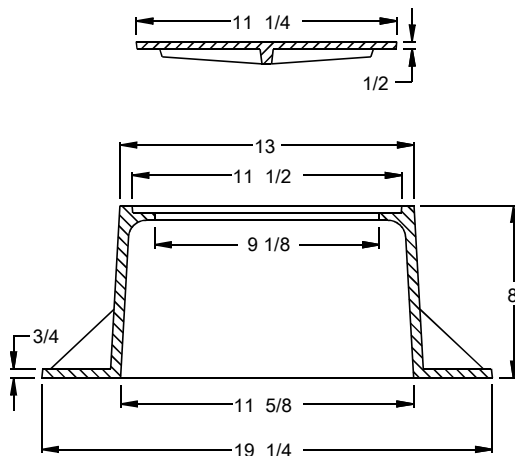


ITEM #	DESCRIPTION	ITEM #	DESCRIPTION
5050	6" CI GATE CAP - WATER	5051LU	8" GATE CAP LIBERTY UTILITIES WATER
5051	8" CI GATE CAP - WATER	5051PR	8" GATE CAP CITY OF PICO RIVERA WATER
5051N	8" GATE CAP GSWC WATER	5052	6" CI GATE CAP - GAS
5051RW	8" GATE RECLAIMED WATER	5053	6" CI GATE CAP - SEWER
5051R	8" GATE CAP CITY OF REDLANDS WATER	5054	8" CI GATE CAP - WATER NEW

Material : Cast Iron, ASTM A48, Class 30B  
 Dimensions : All are in Inch

TULSA LAMP POLE BASE & LID

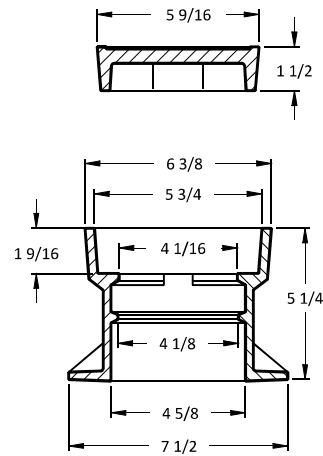
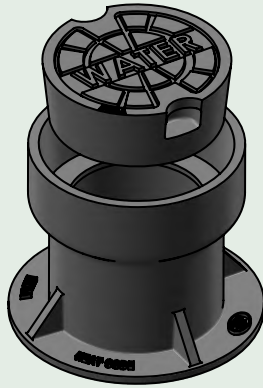
ITEM # : 5100



Material : Cast Iron, ASTM A48, Class 30B  
 Dimensions : All are in Inch

**ITEM # : 5216**

**KANSAS 4" TOP & LID EQ. CB 2197**

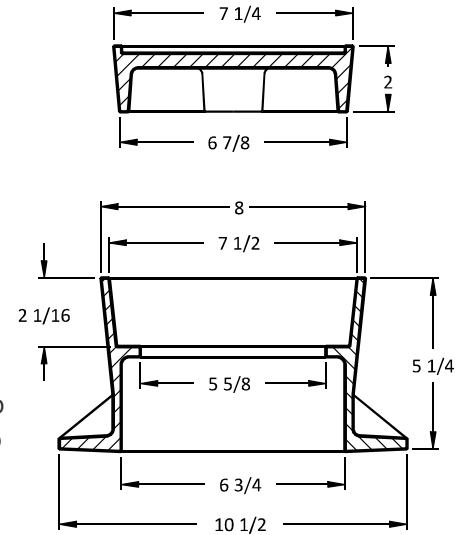
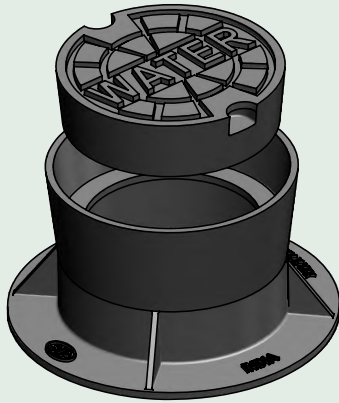


Material : Cast Iron, ASTM A48, Class 30B  
Dimensions : All are in Inch

ITEM #	DESCRIPTION
5216	KANSAS 4" TOP & LID "WATER" EQ.CB 2197
5217	KANSAS 4" TOP & LID "SEWER" EQ. CB 2197

**ITEM # : 5218**

**KANSAS 6" TOP & LID EQ. CB 2194**

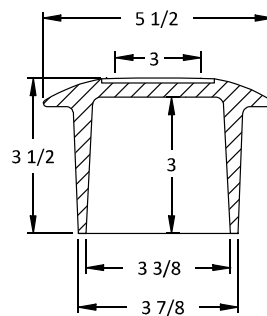
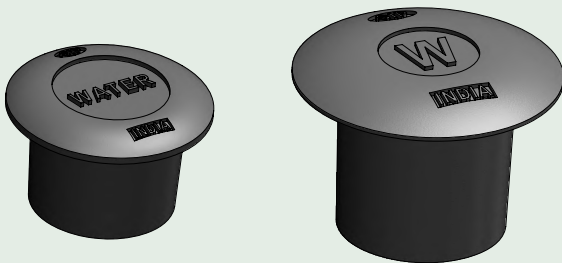


Material : Cast Iron, ASTM A48, Class 30B  
Dimensions : All are in Inch

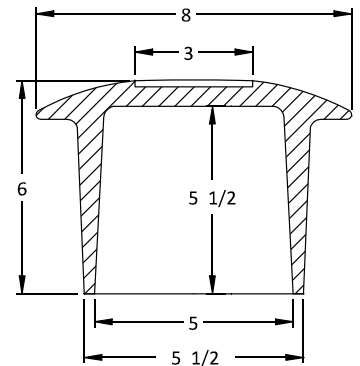
ITEM #	DESCRIPTION
5218	KANSAS 6" BODY & WATER LID
5218S	KANSAS 6" BODY & SEWER LID
5218B	KANSAS 6" BODY ONLY
5219	KANSAS 6" LID ONLY 'WATER'
5219S	KANSAS 6" LID ONLY 'SEWER'

**ITEM # : 5237/6458**

**MUSHROOM LID**



4" MUSHROOM LID  
ITEM# 5237

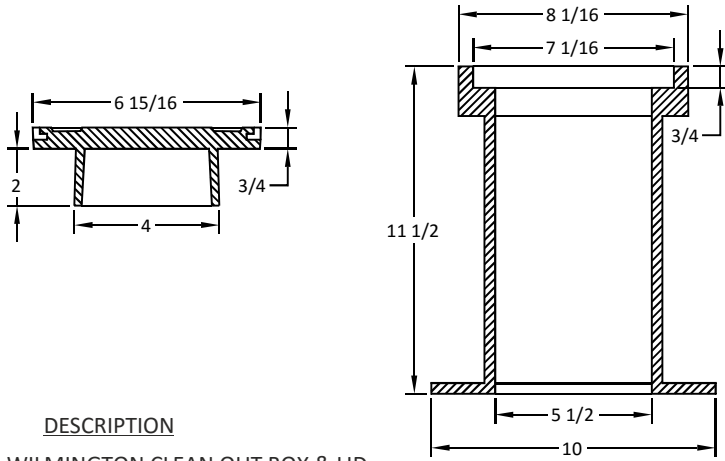


6" MUSHROOM LID  
ITEM# 6458

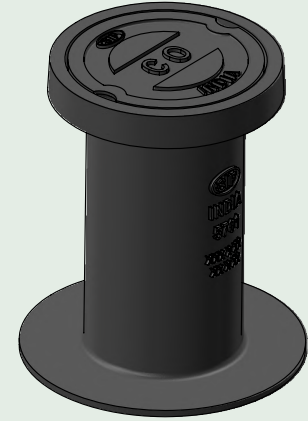
Material : Cast Iron, ASTM A48, Class 30B  
Dimensions : All are in Inch

WILMINGTON CLEAN OUT BOX & LID

ITEM # : 5700 - 5702



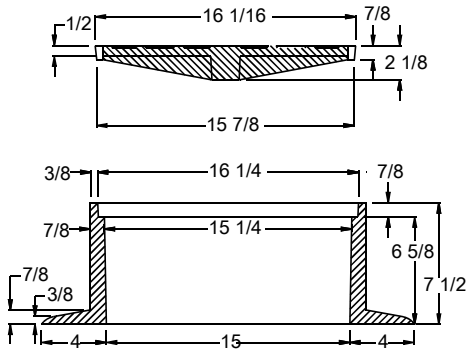
ITEM #	DESCRIPTION
5700	WILMINGTON CLEAN OUT BOX & LID
5701	WILMINGTON CLEAN OUT BODY ONLY
5702	WILMINGTON CLEAN OUT LID ONLY



Material : Cast Iron, ASTM A48, Class 30B  
Dimensions : All are in Inch

WILMINGTON MONUMENT BOX

ITEM # : 5705 - 5707



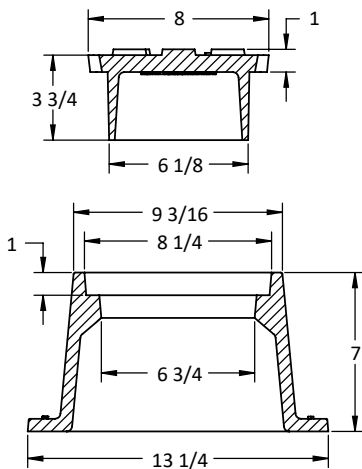
ITEM #	DESCRIPTION
5705	WILMINGTON MONUMENT BOX
5706	WILMINGTON MONUMENT BODY ONLY
5707	WILMINGTON MONUMENT LID ONLY



Material : Cast Iron, ASTM A48, Class 30B  
Dimensions : All are in Inch

CLEANOUT MONUMENT BOX & LID

ITEM # : 5718



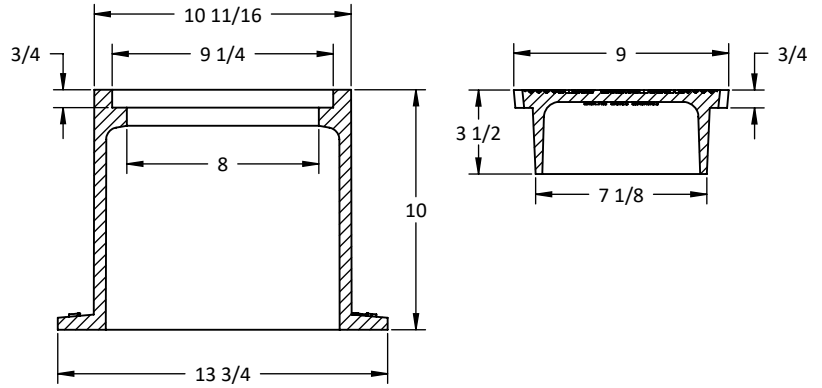
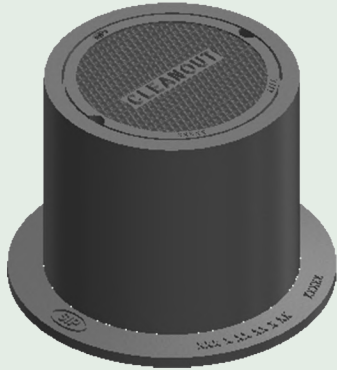
ITEM #	DESCRIPTION
5718	CLEANOUT MONUMENT BOX & LID
5718L	CLEANOUT MONUMENT LID ONLY
5718R	CLEANOUT MONUMENT RING ONLY



Material : Cast Iron, ASTM A48, Class 30B  
Dimensions : All are in Inch

**ITEM # : 5743**

**9" X 10" CLEANOUT RING & COVER**

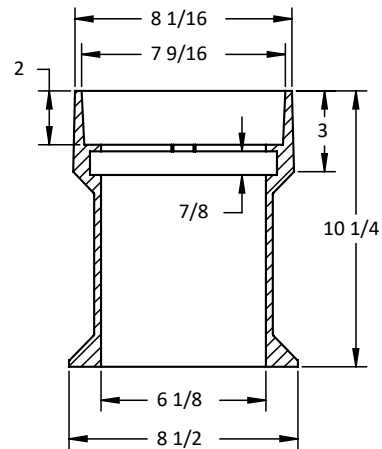
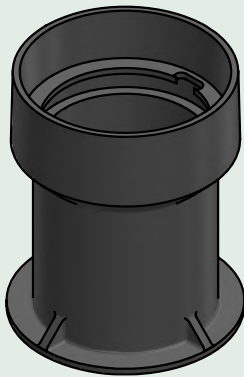


Material : Cast Iron, ASTM A48, Class 30B  
Dimensions : All are in Inch

ITEM #	DESCRIPTION
5743	9" X 10" CLEANOUT RING & COVER
5743C	9" X 10" CLEANOUT COVER ONLY
5743R	9" X 10" CLEANOUT RING ONLY

**ITEM # : 6384**

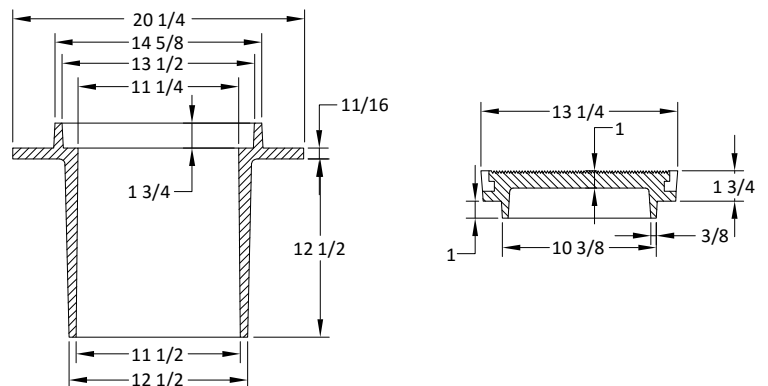
**6" X 10" SEWER CLEANOUT**



Material : Cast Iron, ASTM A48, Class 30B  
Dimensions : All are in Inch

**ITEM # : 6450**

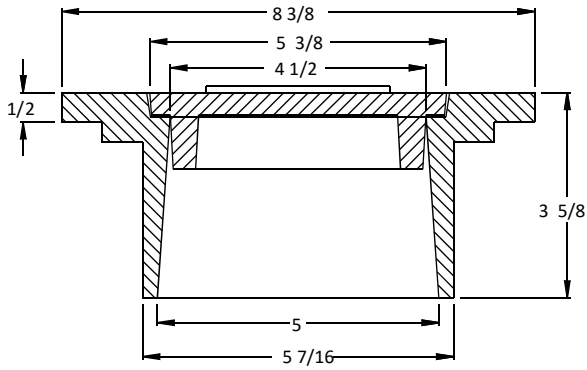
**U @ U @ ° ) - ' = - Ē 8 \ V ' o † - k # Q ° V \ y u**



Material : Cast Iron, ASTM A48, Class 30B  
Dimensions : All are in Inch

)' -k" \k@8' #\†-k#0° V\yu

ITEM # : 6457

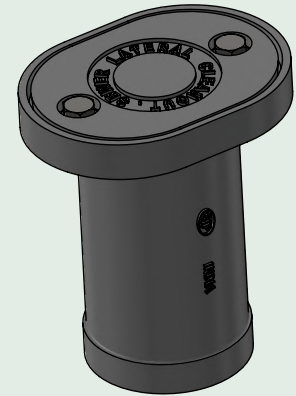
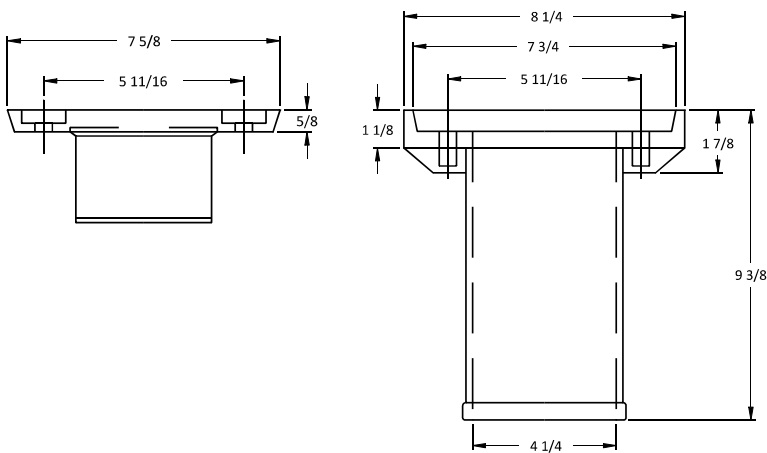


ITEM #	DESCRIPTION
6457	DYER BOX RING & COVER CLEAN OUT 'WATER'
6457G	DYER BOX RING & COVER CLEAN OUT 'GAS'
6457S	DYER BOX RING & COVER CLEAN OUT 'SEWER'

Material : Cast Iron, ASTM A48, Class 30B  
 Dimensions : All are in Inch

#0° V \yu0 u-k° 0†° 0†-

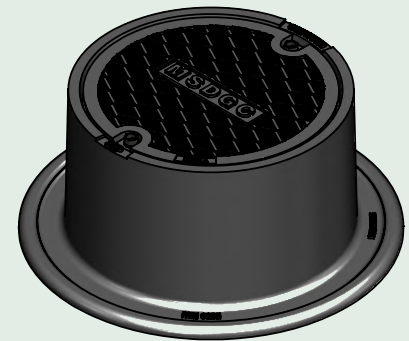
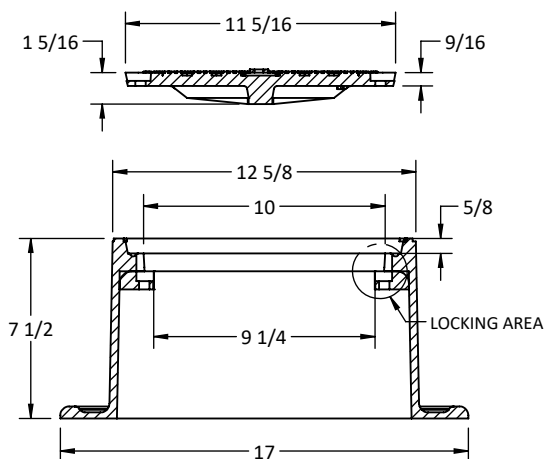
ITEM # : 6460



Material : Cast Iron, ASTM A48, Class 30B  
 Dimensions : All are in Inch

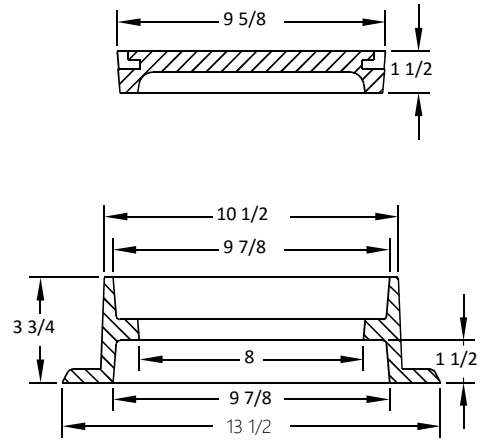
12" SEWER CLEANOUT R&C W.T. MARKED "MSDGC"

ITEM # : 6499



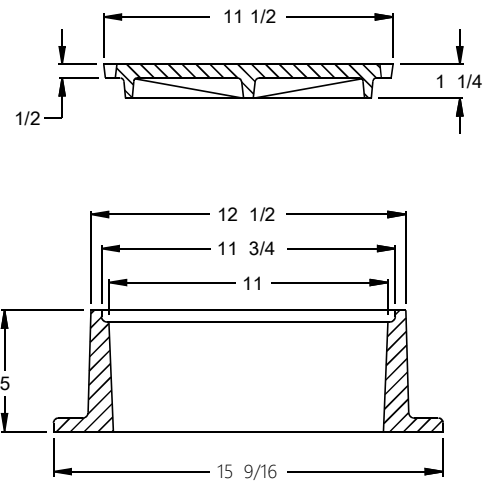
Material : Cast Iron, ASTM A48, Class 30B  
 Dimensions : All are in Inch





Material : Cast Iron, ASTM A48, Class 30B

Dimensions : All are in Inch



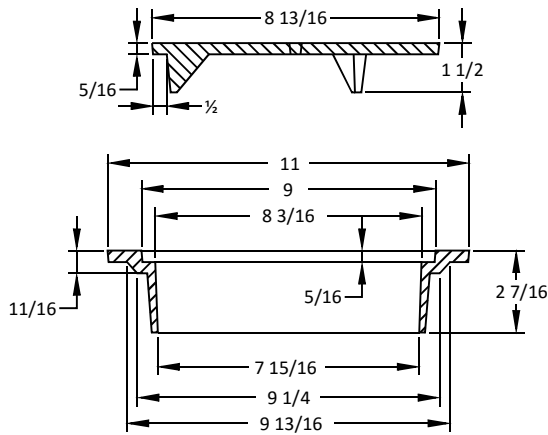
Material : Cast Iron, ASTM A48, Class 30B

Dimensions : All are in Inch

ITEM #	DESCRIPTION
6502	SEWER CLEAN OUT BOTTOM FLANGE
6502B	SEWER CLEAN OUT BOTTOM FLANGE BASE ONLY
6502L	SEWER CLEAN OUT BOTTOM FLANGE LID ONLY
6502STM	STORM CLEAN OUT BOTTOM FLANGE

CLEAN OUT TOP FLANGE NEW

ITEM # : 6503 - 6503W



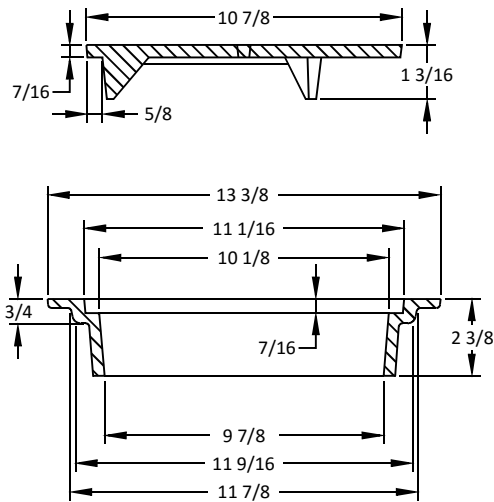
ITEM # DESCRIPTION

- 6503 SEWER CLEAN OUT TOP FLANGE NEW
- 6503W WATER CLEAN OUT TOP FLANGE

Material : Cast Iron, ASTM A48, Class 30B  
 Dimensions : All are in Inch

10" SEWER CLEAN OUT TOP FLANGE NEW

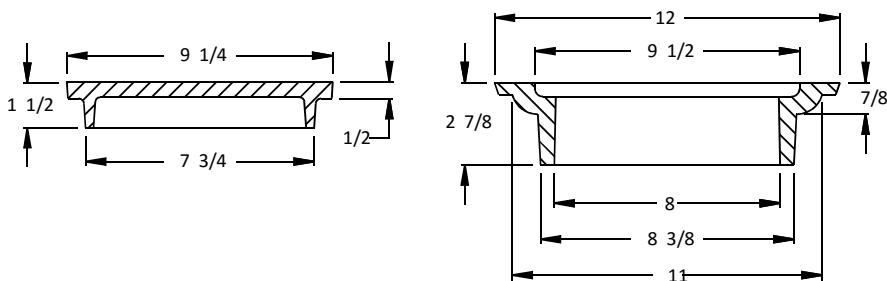
ITEM # : 6503B



Material : Cast Iron, ASTM A48, Class 30B  
 Dimensions : All are in Inch

SEWER CLEAN OUT TOP FLANGE

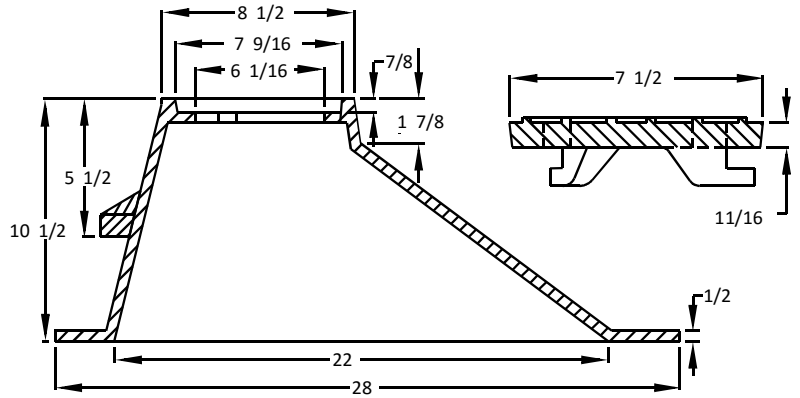
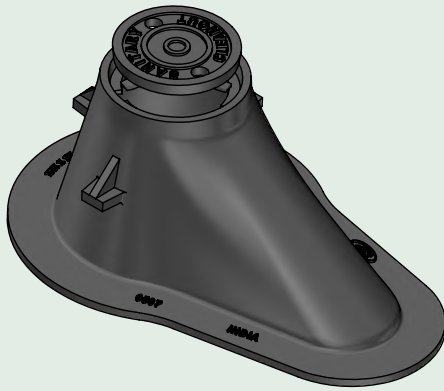
ITEM # : 6504



ITEM # DESCRIPTION

- 6504 SEWER CLEAN OUT TOP FLANGE
- 6504C SEWER CLEAN OUT COVER ONLY
- 6504R SEWER CLEAN OUT TOP FLANGE RING ONLY

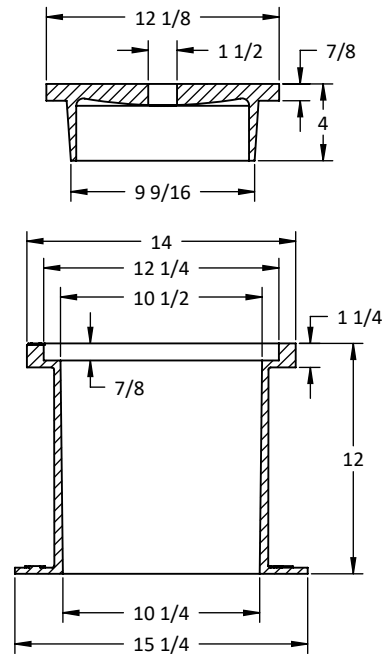
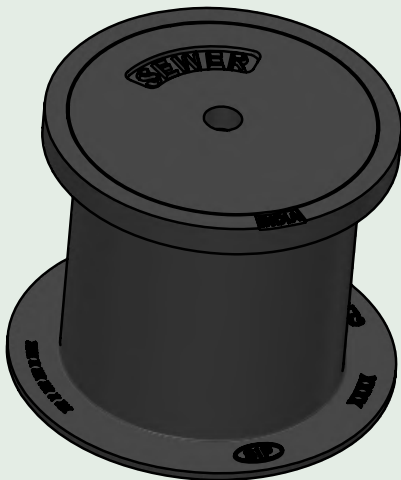
Material : Cast Iron, ASTM A48, Class 30B  
 Dimensions : All are in Inch



ITEM #	DESCRIPTION
5	SANITARY CLEAN OUT Y-BOOT
6	Y-BOOT LID ONLY
07	Y-BOOT BODY ONLY

Material : Cast Iron, ASTM A48, Class 30B

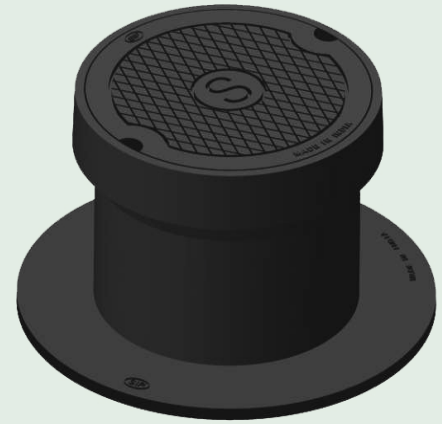
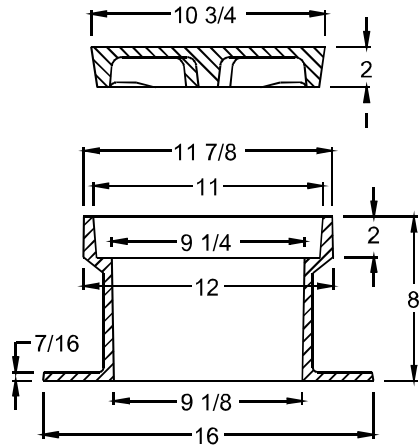
Dimensions : All are in Inch



ITEM #	DESCRIPTION
6999	10 1/4" CLEAN OUT FRAME & SEWER LID
6999CO	10 1/4" CLEAN OUT FRAME & "CO" LID
6999F	10 1/4" CLEAN OUT FRAME ONLY
6999L-CO	10 1/4" CLEAN OUT "CO" LID ONLY
6999L-S	10 1/4" CLEAN OUT SEWER LID ONLY
6999L-SD	10 1/4" CLEAN OUT "SD" LID ONLY
6999L-W	10 1/4" CLEAN OUT WATER LID ONLY
6999SD	10 1/4" CLEAN OUT FRAME & "SD" LID
6999W	10 1/4" CLEAN OUT FRAME & WATER LID

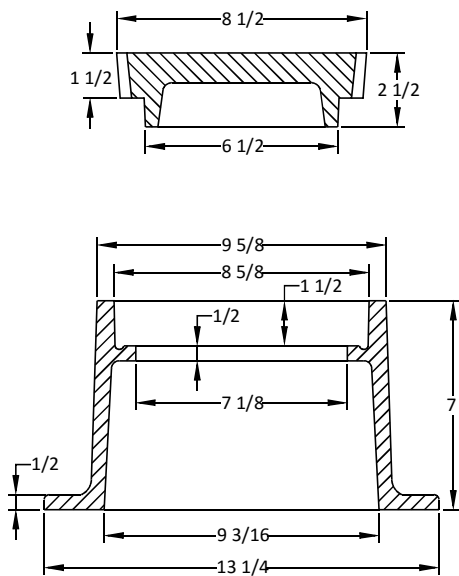
Material : Cast Iron, ASTM A48, Class 30B

Dimensions : All are in Inch



ITEM #	DESCRIPTION
USF6993	7616 VALVE BOX W/ KX COVER
USF6993B	7616 VALVE BOX BASE ONLY
USF6993L	7616 VALVE BOX LID ONLY

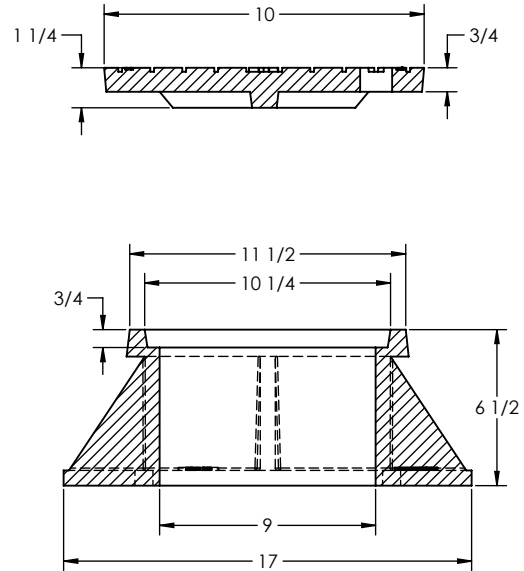
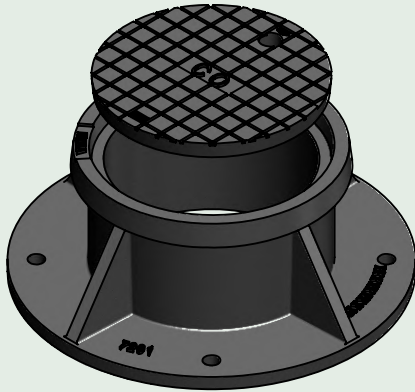
Material : Cast Iron, ASTM A48, Class 30B  
 Dimensions : All are in Inch



Material : Cast Iron, ASTM A48, Class 30B  
 Dimensions : All are in Inch

**ITEM # : 7201**

**9" X 6 1/2" CLEANOUT RING & COVER EQ. M1018**

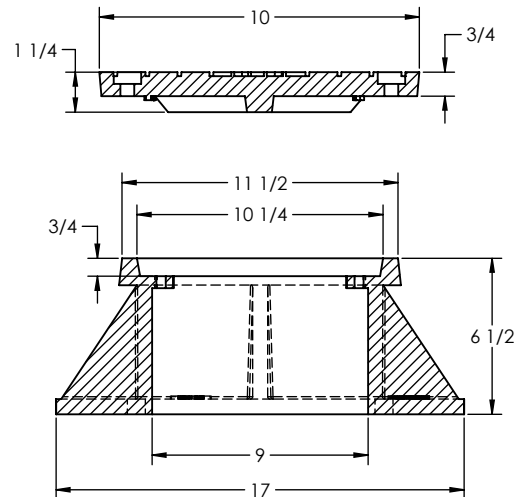
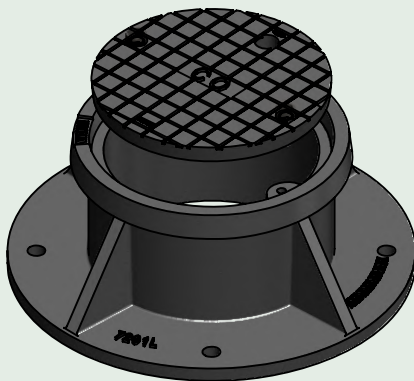


Material : Cast Iron, ASTM A48, Class 30B  
Dimensions : All are in Inch

ITEM #	DESCRIPTION
7201	9" X 6 1/2" CLEANOUT RING & COVER EQ. M1018
7201R	9" X 6 1/2" CLEANOUT RING ONLY EQ. M1018
7201C	9" X 6 1/2" CLEANOUT COVER ONLY EQ. M1018

**ITEM # : 7201-L**

**9" X 6 1/2" LOCKING CLEANOUT RING & COVER EQ. M1018**

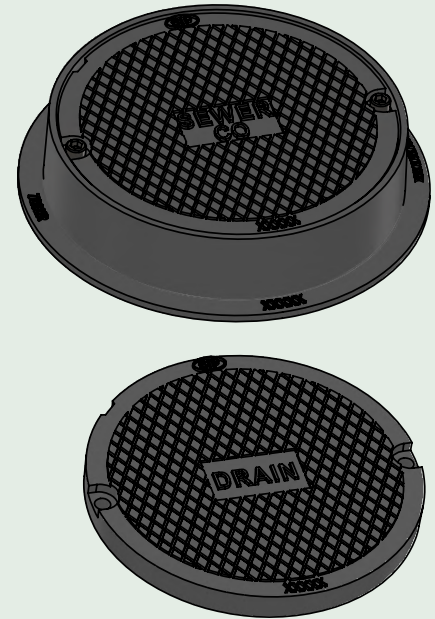
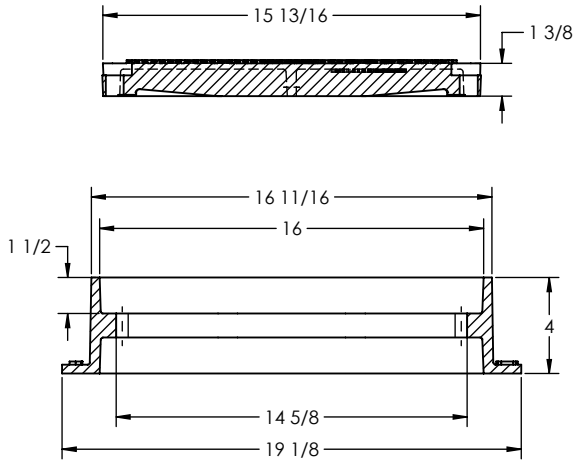


Material : Cast Iron, ASTM A48, Class 30B  
Dimensions : All are in Inch

ITEM #	DESCRIPTION
7201-L	9" X 6 1/2" LOCKING CLEANOUT RING & COVER EQ. M1018
7201-LR	9" X 6 1/2" LOCKING CLEANOUT RING ONLY EQ. M1018
7201-LC	9" X 6 1/2" LOCKING CLEANOUT COVER ONLY EQ. M1018

14" X 4" REVERSIBLE LOCKING RING & COVER EQ. M1060

ITEM # : 7202 - 7202D

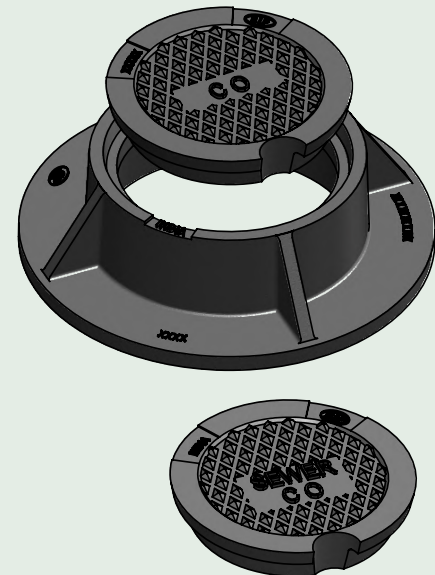
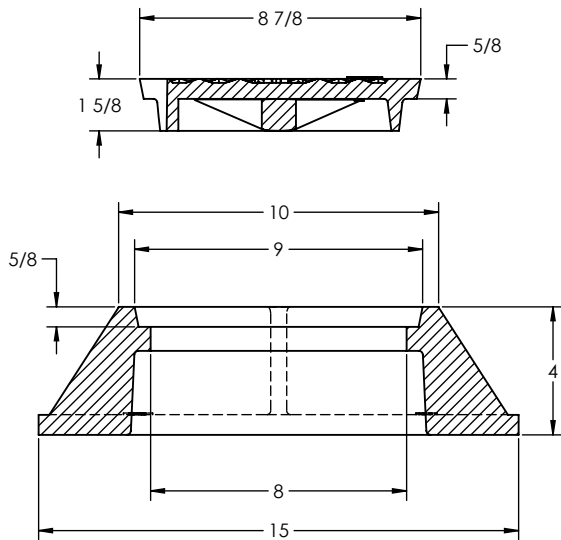


ITEM #	DESCRIPTION
7202	14" X 4" REVERSIBLE LOCKING SEWER CO RING & COVER EQ. M1060
7202C	14" X 4" LOCKING SEWER CO COVER ONLY EQ. M1060
7202R	14" X 4" REVERSIBLE LOCKING RING ONLY EQ. M1060
7202D	14" X 4" REVERSIBLE LOCKING DRAIN RING & COVER EQ. M1060
7202D-C	14" X 4" LOCKING DRAIN COVER ONLY EQ. M1060

Material : Cast Iron, ASTM A48, Class 30B  
 Dimensions : All are in Inch

8" X 4" CLEANOUT RING & COVER EQ. M1007

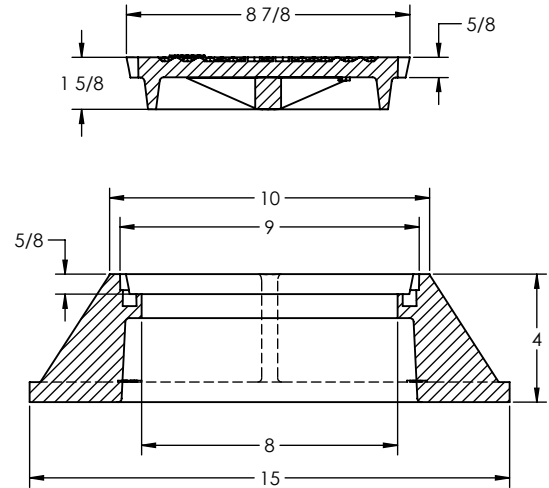
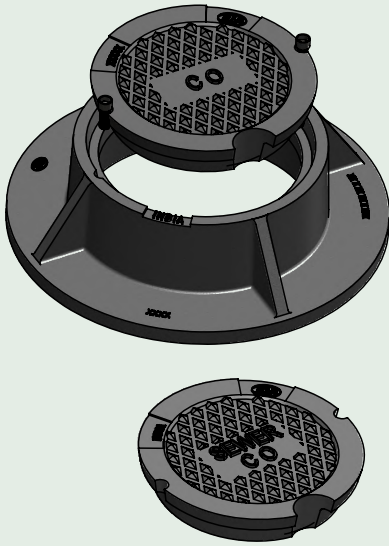
ITEM # : 7203CO - 7203SWR



ITEM #	DESCRIPTION
7203CO	8" X 4" CLEANOUT RING & COVER EQ. M1007
7203CO-C	8" X 4" CLEANOUT COVER ONLY EQ. M1007
7203R	8" X 4" CLEANOUT RING ONLY EQ. M1007
7203SWR	8" X 4" SEWER CLEANOUT RING & COVER EQ. M1007
7203SWR-C	8" X 4" SEWER CLEANOUT COVER ONLY EQ. M1007

Material : Cast Iron, ASTM A48, Class 30B  
 Dimensions : All are in Inch

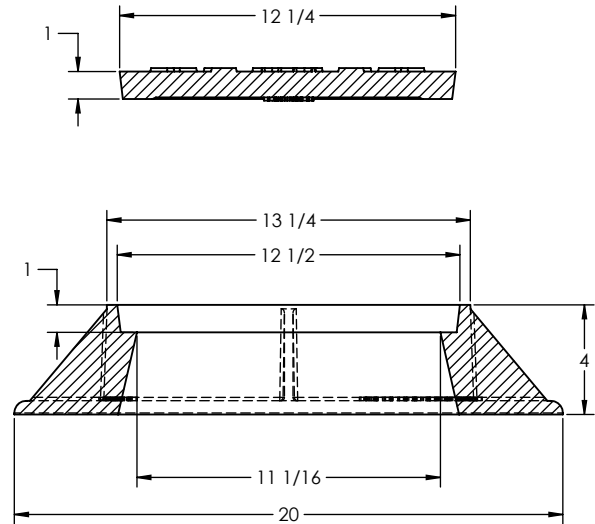
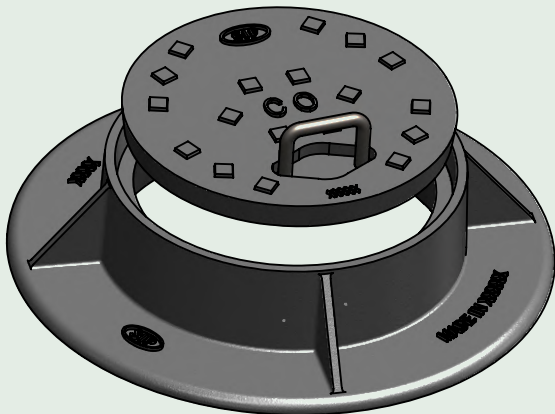
**ITEM # : 7203CO-L - 7203SWR-L 8" X 4" LOCKING CLEANOUT RING & COVER EQ. M1007**



ITEM #	DESCRIPTION
7203CO-L	8" X 4" LOCKING CLEANOUT RING & COVER EQ. M1007
7203CO-LC	8" X 4" LOCKING CLEANOUT COVER ONLY EQ. M1007
7203LR	8" X 4" LOCKING CLEANOUT RING ONLY EQ. M1007
7203SWR-L	8" X 4" LOCKING SEWER CLEANOUT RING & COVER EQ. M1007
7203SWR-LC	8" X 4" LOCKING SEWER CLEANOUT COVER ONLY EQ. M1007

Material : Cast Iron, ASTM A48, Class 30B  
Dimensions : All are in Inch

**ITEM # : 7212 4" X 12" CO FRAME & COVER EQ. MH05**

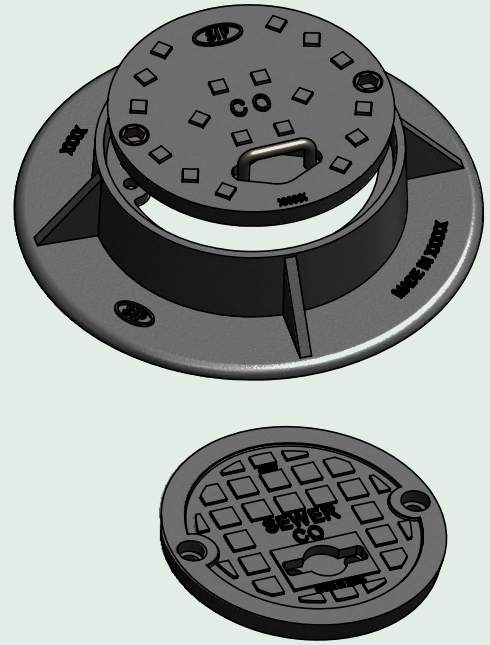
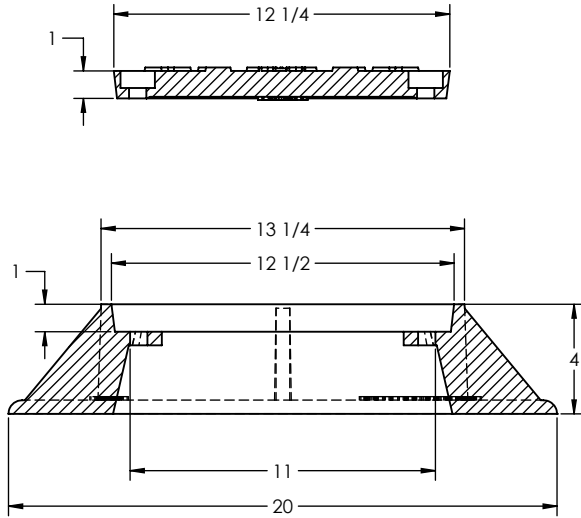


ITEM #	DESCRIPTION
7212	4" X 12" CO FRAME & COVER EQ. MH05
7212C	4" X 12" CO COVER ONLY EQ. MH05
7212R	4" X 12" CO FRAME ONLY EQ. MH05

Material : Cast Iron, ASTM A48, Class 30B  
Dimensions : All are in Inch

4" X 12" CO LOCKING FRAME & COVER EQ. MH05

ITEM # : 7212-L - 7212SWR-L

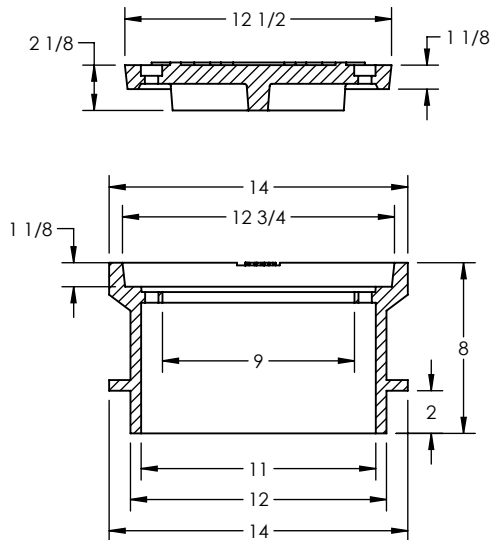


ITEM #	DESCRIPTION
7212-L	4" X 12" CO LOCKING FRAME & COVER EQ. MH05
7212-LC	4" X 12" CO LOCKING COVER ONLY EQ. MH05
7212-LR	4" X 12" CO LOCKING FRAME ONLY EQ. MH05
7212SWR-L	4" X 12" SEWER CO LOCKING FRAME & COVER EQ. MH05
7212SWR-LC	4" X 12" SEWER CO LOCKING COVER ONLY EQ. MH05

Material : Cast Iron, ASTM A48, Class 30B  
 Dimensions : All are in Inch

11" X 8" SEWER LOCKING RING & COVER

ITEM # : 7213



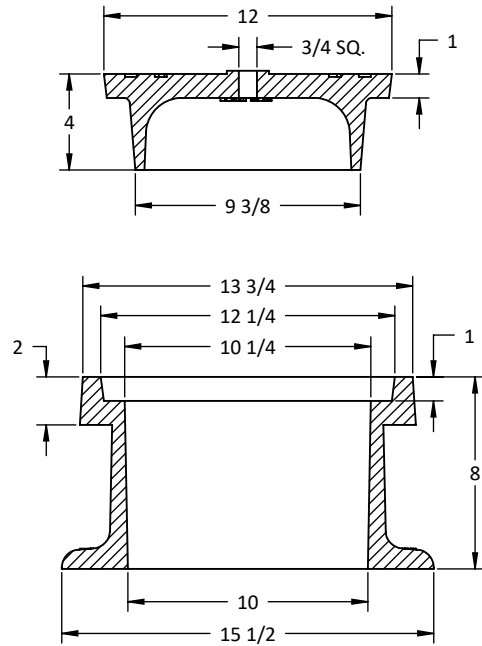
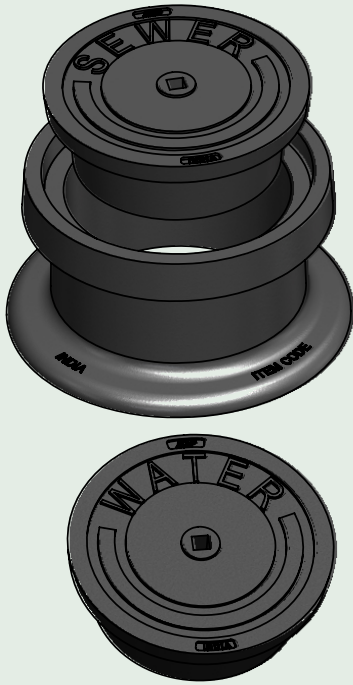
ITEM #	DESCRIPTION
7213	11" X 8" SEWER LOCKING RING & COVER EQ. M1025
7213C	11" X 8" SEWER LOCKING COVER ONLY EQ. M1025
7213R	11" X 8" SEWER LOCKING FRAME ONLY EQ. M1025

Material : Cast Iron, ASTM A48, Class 30B  
 Dimensions : All are in Inch



**ITEM # : 7401S - 7401W**

**10" X 8" MONUMENT RING & COVER EQ. M1020**



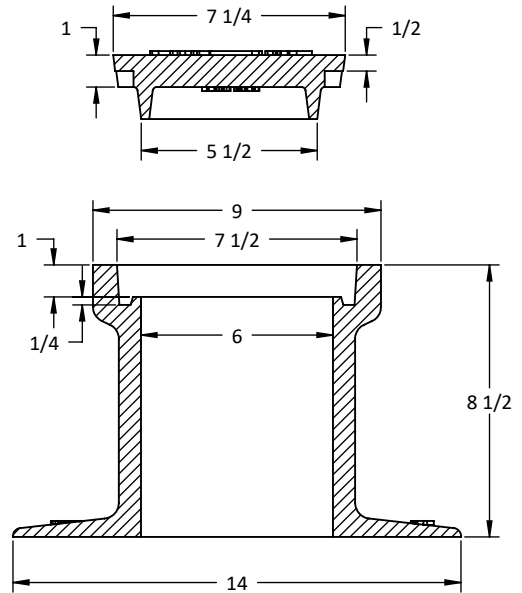
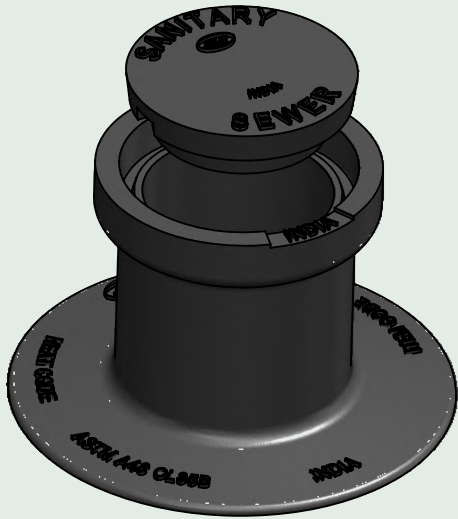
ITEM #	DESCRIPTION
7401S	10" X 8" MONUMENT RING & SEWER COVER EQ. M1020
7401S-L	10" X 8" MONUMENT SEWER COVER EQ. M1020
7401S-R	10" X 8" MONUMENT RING ONLY EQ. M1020
7401W	10" X 8" MONUMENT RING & WATER COVER EQ. M1020
7401W-L	10" X 8" MONUMENT WATER COVER EQ. M1020

**Material** : Cast Iron, ASTM A48, Class 30B

**Dimensions** : All are in Inch

**ITEM # : 7403S**

**6" X 8 1/2" MONUMENT RING & SEWER COVER EQ. M1001**



ITEM #	DESCRIPTION
7403S	6" X 8 1/2" MONUMENT RING & SEWER COVER EQ. M1001
7403S-L	6" X 8 1/2" MONUMENT SEWER COVER ONLY EQ. M1001
7403S-R	6" X 8 1/2" MONUMENT RING ONLY EQ. M1001

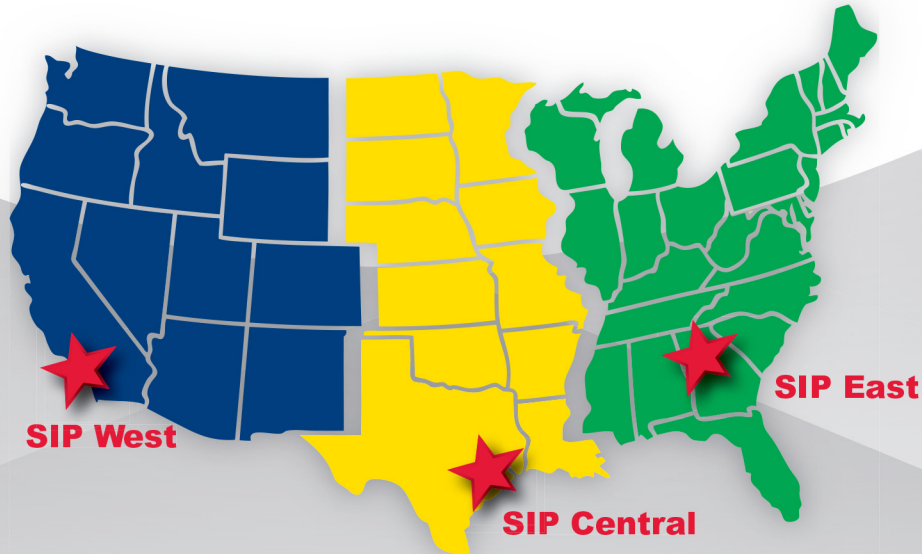
**Material** : Cast Iron, ASTM A48, Class 30B

**Dimensions** : All are in Inch



# SIP Industries

Quality Manufacturers Since 1960



## PRODUCT LINE

### AWWA DI Fittings & Accessories

- C153 Compact MJ Fittings and Acc. 2" - 64"
- C110 Full Body MJ Fittings 2" - 64"
- C153 Trim Tyton® Push-On Fittings 4" - 24"
- C110 Flange Fittings 2" - 64"
- MJ x MJ Adapter for Connecting MJ Bells 3" - 24"
- Stainless Steel & Blue T-Bolts
- Made in India, China & Mexico
- Bare, Cement, Zinc, FBE & Other Linings

### Joint Restraint System

- EZD Joint Restraint for DI Pipe 3" - 48"
- EZDTP Joint Restraint Tandem for DI Pipe 3" - 48"
- EZDPTP Joint Restraint for Push-On Joints DI Pipe 3" - 48"
- Ductile Iron Retainer Glands 3" - 30"
- FAR / FAH Flange Adapter for DI Pipe 3" - 48"
- EZFA Restrained Flange Adapter for DI and PVC Pipe 3" - 36"
- EZPVC Joint Restraint for PVC Pipe 3" - 36"
- ULTRA Joint Restraint for PVC Pipe 4" - 12"
- EZPVCPTP Joint Restraint for Push-On Joints PVC Pipe 14" - 36"
- PTPVC Pipe to Pipe Restraint 4" - 48"
- PTPDF Pipe to MJ Fittings Restraint 4" - 48"
- PTPFC Pipe to PVC Fittings Restraint 4" - 12"
- Made in China & USA
- EZ Shield or Shop Coating

### Municipal Construction Castings

- Manhole Rings and Cover
- Frames and Grates
- Valve Boxes and Service Boxes
- Water Meter Covers and Boxes
- Cleanout and Monument Boxes
- Detectable Warning Plates
- Extension Rings
- Trench Grates and Tree Grates
- Made in India & USA

### Fabrication Products for DI Pipe

- High Hub Flanges Class 150 and 250. 3" - 64"
- Threaded Bell Flanges 3" - 48"
- Anchor Flanges 3" - 60"
- Filler Flanges 4" - 30"

### Other Products and Services

- All Thread Rod
- Pipe Lube and Hydraulic Cement
- Socket Clamps and Lugs
- Flange Packs
- OEM Castings



**SIP CORPORATE** 8876 Gulf Freeway, Suite 500, Houston, TX 77017

**SIP CENTRAL** 2900 Patio Drive, Houston, TX 77017

**SIP EAST** 600 Rayloc Drive, Atlanta, GA 30336

**SIP WEST** 8333 Almeria Avenue, Fontana, CA 92335

Phone: 877-921-6111 or 713-923-6111 | Fax: 713-923-6114 | [www.sipindustries.com](http://www.sipindustries.com) | [sales@sipindustries.com](mailto:sales@sipindustries.com)