



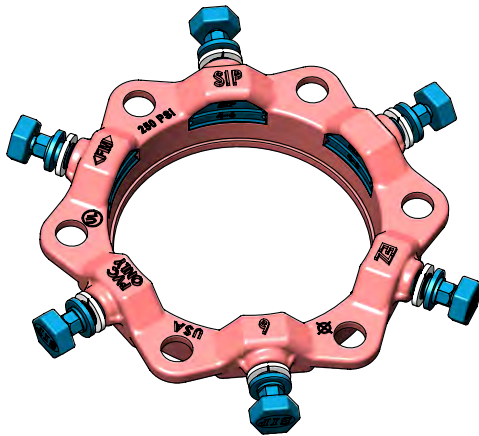
3" - 36" MECHANICAL JOINT RESTRAINT FOR PVC PIPE

Submittal Information

Project Name / Location:	
Engineer:	
Referenced Specs:	
Distributor / Contractor:	

Optional Specifications

Coating:	Standard Alkyd, Direct To Metal (DTM) Enamel (Red)	
	EZ-Shield® Polyester Based Powder Coating (Red)	
	Other - Specify:	
Bolts / Nuts:	Standard High Strength Low Alloy Steel (HSLA) <i>In Accordance With ANSI/AWWA C111/A21.11</i>	
	Fluoropolymer Corrosion Resistant Coating	
	Stainless Steel:	Type 304 Type 316
Gaskets:	Standard SBR (Buna-S) <i>In Accordance With ANSI/AWWA C111/A21.11</i>	
	Other - Specify:	



General Specifications

- Material** : Gland, wedges, twist-off nuts and actuating screws are Ductile Iron per ASTM A536, Grade 65-45-12
- Pressure** : Pressure rating equal to that of the PVC pipe rating, with a minimum 2:1 safety factor.
The contoured grip of the wedges increases as the hydrostatic pressure increases
- Dimensions** : Gland complies with all applicable dimensions of, and is compatible with, all mechanical joint sockets of ANSI/AWWA C111/A21.11, C110/A21.10, and C153/A21.53 Standards.
Compatible with 4" - 36" AWWA C900 (PVC), C906 (HDPE)*, C909 (PVCO) or 3"-12" ASTM D2241 IPS PVC Pipe
* **AWWA C906 HDPE Pressure Pipes up to 12" by using internal pipe stiffeners.**
* **IPS PVC Pipe applications require use of a Transition Gasket.**
- Installations** : Install in accordance with SIP installation procedures and intent of AWWA C600 / C605 / M23
Pipe ends must be free from defects to allow wedges to properly engage the pipe ends.
Wedge pockets must be free from debris intrusion to allow movement, polyethylene wrap of the restraint is recommended as a prevention.
Note: No additional tool required for installation other than the tool required to install a standard Mechanical Joint T-Bolt and 1-1/4" Nut. The hex head of the actuating screw is designed to break off at a preset torque. After the removal of the 1-1/4" torque control hex head, a 5/8" hex head on the actuating screw remains in order to allow, if necessary, for the disassembly and re-installation of the gland and restraint mechanism
- Deflection** : 5° on sizes 3" - 12", 3° on 14"-24", 2° on 30"-36"
- Coating** : Wedges, twist-off nuts and actuating screws fluoropolymer coated
- Approvals** : UL Listed for sizes 4"-12" at 235psi on AWWA C900 Class 235 DR-18 PVC pipe. FM Approved for sizes 4"-12" at 250psi for AWWA C900 Class 305 DR-14 PVC pipe and at 200psi on AWWA C900 Class 235 DR-18 PVC pipe.
Tested and found In accordance with ASTM F1674 Standard for PVC

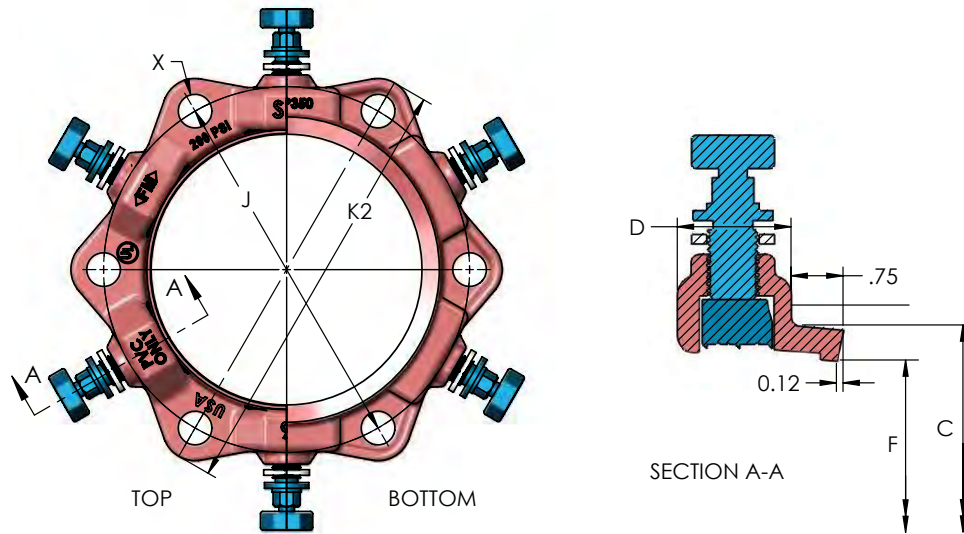


Supporting documentation for the above 'General Specifications' and 'Optional Specifications' are available upon request to review, in addition to Installation Instructions and any requested material samples

Please contact SIP for technical assistance of nonstandard applications

Please refer to our web page www.sipindustries.com for up to date product data and technical advisories

3" - 36" MECHANICAL JOINT RESTRAINT FOR PVC PIPE



Technical Specifications

Select Size	Size	Series Number	C	D	F	X	J	K2	Bolt Qty	Wedge Qty	Approx. Weight (Lbs)
	3	EZPVC03	4.84	1.60	4.06	3/4	6.19	7.96	4	4	7.50
	4	EZPVC04	5.92	1.76	4.90	7/8	7.50	9.16	4	4	7.75
	6	EZPVC06	8.02	1.75	7.00	7/8	9.50	11.12	6	6	11.40
	8	EZPVC08	10.17	2.26	9.15	7/8	11.75	13.75	6	6	16.49
	10	EZPVC10	12.22	2.32	11.20	7/8	14.00	15.91	8	8	22.10
	12	EZPVC12	14.32	2.39	13.30	7/8	16.25	18.23	8	8	29.63
	14	EZPVC14	16.40	2.29	15.44	7/8	18.75	20.75	10	10	48.70
	16	EZPVC16	18.50	2.38	17.54	7/8	21.00	23.13	12	12	57.25
	18	EZPVC18	20.60	2.39	19.64	7/8	23.25	25.25	12	12	61.45
	20	EZPVC20	22.70	2.41	21.74	7/8	25.50	27.50	14	14	75.68
	24	EZPVC24	26.90	2.50	25.94	7/8	30.00	32.13	16	16	92.92
	30	EZPVC30	33.29	3.45	32.17	1 1/8	36.88	39.57	20	20	172.40
	36	EZPVC36	39.59	3.70	38.47	1 1/8	43.75	46.34	24	24	218.88

All dimensions are in inches unless noted otherwise. All weights are approximate in pounds unless noted otherwise.

STANDARDIZED PRESSURE RATINGS									
Size	CI O.D.								
	ANSI/AWWA C900								
	DR14	DR17	DR18	DR21	DR25	DR27.5	DR32.5	DR41	DR51
4	305	250	235	200	165	-	-	-	-
6	305	250	235	200	165	-	-	-	-
8	305	250	235	200	165	-	-	-	-
10	305	250	235	200	165	-	-	-	-
12	305	250	235	200	165	-	-	-	-
14	305	250	235	200	165	150	125	-	-
16	305	250	235	200	165	150	125	-	-
18	250	250	235	200	165	150	125	-	-
20	250	250	235	200	165	150	125	-	-
24	250	250	235	200	165	150	125	-	-
30	-	-	225	200	165	150	125	100	80
36	-	-	-	200	165	150	125	100	80

STANDARDIZED PRESSURE RATINGS								
Size	CI O.D.							
	ANSI/AWWA C909 PVC0		AWWA C906 (HDPE*)					
	PC235	PC165	DR7.3	DR9	DR9.3	DR11	DR13.5	DR17
4	235	-	254	200	193	160	130	100
6	235	-	254	200	193	160	130	100
8	235	-	254	200	193	160	130	100
10	235	-	254	200	193	160	130	100
12	235	-	254	200	193	160	130	100
14	235	-	254	200	193	160	130	100
16	235	165	-	200	193	160	-	-
18	200	-	-	-	-	160	-	-
20	-	-	-	-	-	160	-	-

STANDARDIZED PRESSURE RATINGS									
Size	IPS O.D.								
	ASTM D2241			AWWA C901 & AWWA C906 (HDPE*)					
	SDR17	SDR21	SDR26	DR7.3	DR9	DR9.3	DR11	DR13.5	DR17
3	250	200	160	254	200	193	160	130	100
4	250	200	160	254	200	193	160	130	100
6	250	200	160	254	200	193	160	130	100
8	250	200	160	254	200	193	160	130	100
10	250	200	160	254	200	193	160	130	100
12	250	200	160	254	200	193	160	130	100

* AWWA C906 HDPE Pressure Pipes up to 12" by using internal pipe stiffeners. Contact SIP for further assistance.