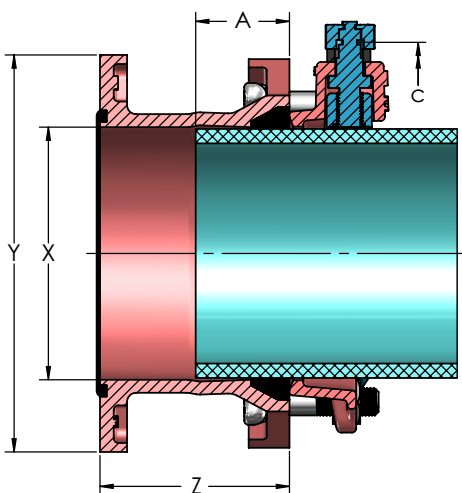
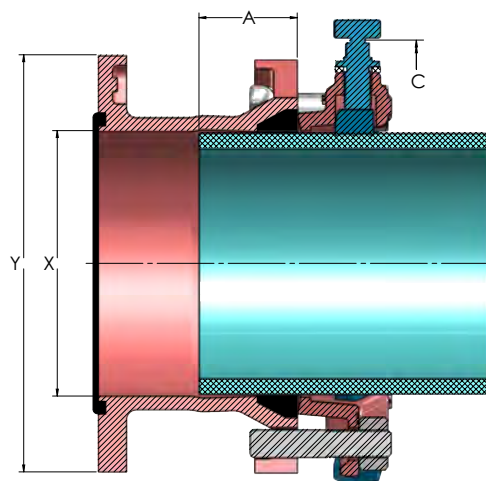


3" - 36" RESTRAINT FLANGED ADAPTER COUPLING FOR PVC PIPE

EZFAPVCUP - EZ Grip® PVC ULTRA



EZFAPVCP - EZ Grip® PVC



Technical Specifications

Size	Select Size/Series		C900 PVC Pipe OD	IPS PVC Pipe OD	X	Y	Z	A	C	Approx. Weight (Lbs)
	W/ EZ Grip® PVC ULTRA	W/ EZ Grip® PVC								
3	N/A	EZFAPVCP03	N/A	3.50	4.06	7.50	3.88	2.50	9.02	17.50
4	EZFAPVCUP04	EZFAPVCP04	4.80	4.50	4.90	9.00	4.35	2.50	9.84	21.75
6	EZFAPVCUP06	EZFAPVCP06	6.90	6.63	7.00	11.00	5.25	2.50	11.94	32.90
8	EZFAPVCUP08	EZFAPVCP08	9.05	8.63	9.15	13.50	5.25	2.50	14.39	45.74
10	EZFAPVCUP10	EZFAPVCP10	11.10	10.75	11.20	16.00	5.63	2.50	16.44	62.90
12	EZFAPVCUP12	EZFAPVCP12	13.20	12.75	13.30	19.00	5.69	2.50	18.58	85.26
14	N/A	EZFAPVCP14	15.30	N/A	15.44	21.00	6.70	3.88	22.93	126.71
16	N/A	EZFAPVCP16	17.40	N/A	17.54	23.50	6.80	3.93	25.03	155.56
18	N/A	EZFAPVCP18	19.50	N/A	19.64	25.00	7.40	4.23	27.13	181.66
20	N/A	EZFAPVCP20	21.60	N/A	21.74	27.50	7.40	4.23	29.23	218.65
24	N/A	EZFAPVCP24	25.80	N/A	25.94	32.00	7.90	4.48	33.43	288.66
30	N/A	EZFAPVCP30	32.00	N/A	32.17	38.75	8.50	4.94	39.65	475.75
36	N/A	EZFAPVCP36	38.00	N/A	38.47	46.00	9.00	5.19	45.95	664.06