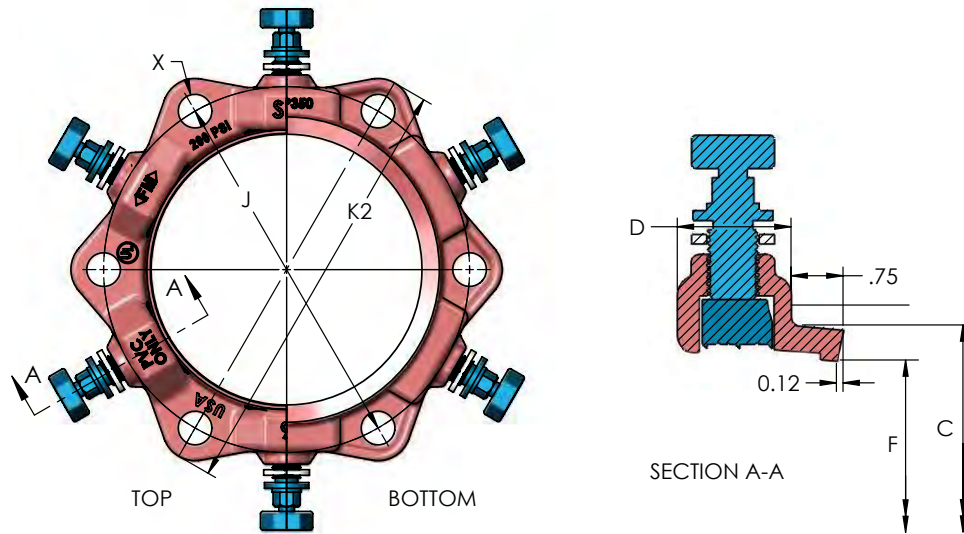


3" - 36" MECHANICAL JOINT RESTRAINT FOR PVC PIPE



Technical Specifications

Select Size	Size	Series Number	C	D	F	X	J	K2	Bolt Qty	Wedge Qty	Approx. Weight (Lbs)
	3	EZPVC03	4.84	1.60	4.06	3/8	6.19	7.96	4	4	7.50
	4	EZPVC04	5.92	1.76	4.90	7/8	7.50	9.16	4	4	7.75
	6	EZPVC06	8.02	1.75	7.00	7/8	9.50	11.12	6	6	11.40
	8	EZPVC08	10.17	2.26	9.15	7/8	11.75	13.75	6	6	16.49
	10	EZPVC10	12.22	2.32	11.20	7/8	14.00	15.91	8	8	22.10
	12	EZPVC12	14.32	2.39	13.30	7/8	16.25	18.23	8	8	29.63
	14	EZPVC14	16.40	2.29	15.44	7/8	18.75	20.75	10	10	48.70
	16	EZPVC16	18.50	2.38	17.54	7/8	21.00	23.13	12	12	57.25
	18	EZPVC18	20.60	2.39	19.64	7/8	23.25	25.25	12	12	61.45
	20	EZPVC20	22.70	2.41	21.74	7/8	25.50	27.50	14	14	75.68
	24	EZPVC24	26.90	2.50	25.94	7/8	30.00	32.13	16	16	92.92
	30	EZPVC30	33.29	3.45	32.17	1 1/8	36.88	39.57	20	20	172.40
	36	EZPVC36	39.59	3.70	38.47	1 1/8	43.75	46.34	24	24	218.88

All dimensions are in inches unless noted otherwise. All weights are approximate in pounds unless noted otherwise.

STANDARDIZED PRESSURE RATINGS - CI O.D.																	
Size	ANSI/AWWA C900/905									ANSI/AWWA C909 PVCO		AWWA C906 (HDPE*)					
	DR14	DR17	DR18	DR21	DR25	DR27.5	DR32.5	DR41	DR51	PC235	PC165	DR7.3	DR9	DR9.3	DR11	DR13.5	DR17
4	305	250	235	200	165	-	-	-	-	235	-	254	200	193	160	130	100
6	305	250	235	200	165	-	-	-	-	235	-	254	200	193	160	130	100
8	305	250	235	200	165	-	-	-	-	235	-	254	200	193	160	130	100
10	305	250	235	200	165	-	-	-	-	235	-	254	200	193	160	130	100
12	305	250	235	200	165	-	-	-	-	235	-	254	200	193	160	130	100
14	305	250	235	200	165	150	125	-	-	235	-	-	-	-	-	-	-
16	305	250	235	200	165	150	125	-	-	235	165	-	-	-	-	-	-
18	250	250	235	200	165	150	125	-	-	200	-	-	-	-	-	-	-
20	250	250	235	200	165	150	125	-	-	-	-	-	-	-	-	-	-
24	250	250	235	200	165	150	125	-	-	-	-	-	-	-	-	-	-
30	-	-	225	200	165	150	125	100	80	-	-	-	-	-	-	-	-
36	-	-	-	200	165	150	125	100	80	-	-	-	-	-	-	-	-

STANDARDIZED PRESSURE RATINGS - IPS O.D.									
Size	ASTM D2241			AWWA C901 & AWWA C906 (HDPE*)					
	SDR17	SDR21	SDR26	DR7.3	DR9	DR9.3	DR11	DR13.5	DR17
3	250	200	160	254	200	193	160	130	100
4	250	200	160	254	200	193	160	130	100
6	250	200	160	254	200	193	160	130	100
8	250	200	160	254	200	193	160	130	100
10	250	200	160	254	200	193	160	130	100
12	250	200	160	254	200	193	160	130	100
14	-	-	-	-	-	-	-	-	-
16	-	-	-	-	-	-	-	-	-
18	-	-	-	-	-	-	-	-	-