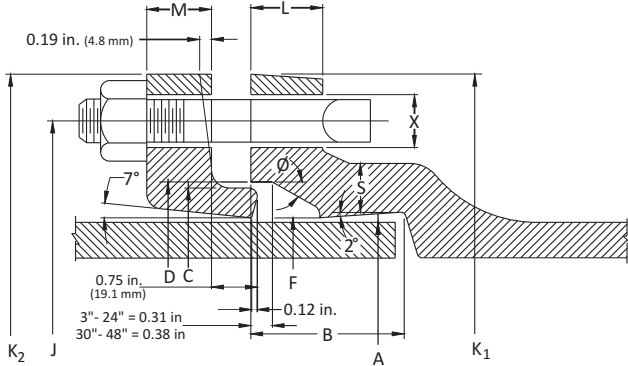




2" - 64" DUCTILE IRON MECHANICAL JOINT COMPACT FITTINGS

Submittal Information

Project Name / Location:	
Engineer:	
Referenced Specs:	
Distributor / Contractor:	



Optional Specifications

Coating:	Asphaltic Seal Coat <i>In Accordance With ANSI/AWWA C104/A21.4</i>
	Fusion-Bonded Epoxy (FBE) Powder (Red Oxide Color) <i>In Accordance With ANSI/AWWA C116/A21.16</i>
	Arc Zinc <i>In Accordance with ISO 8179-1</i>
	Bare
	Other - Specify:
Lining:	Cement-Mortar - In Accordance With ANSI/AWWA C104/A21.4 Single Lined Double Lined Asphalt Coating No Asphalt Coating
	Fusion-Bonded Epoxy (FBE) Powder (Red Oxide Color) <i>In Accordance With ANSI/AWWA C116/A21.16</i>
	Ceramic Epoxy
	Bare
	Other - Specify:
Bolts / Nuts:	Standard High Strength Low Alloy Steel (HSLA) <i>In Accordance With ANSI/AWWA C111/A21.11</i>
	Stainless Steel: Type 304 Type 316
	Other - Specify:
Gaskets:	Standard SBR (Buna-S) <i>In Accordance With ANSI/AWWA C111/A21.11</i>
	Other - Specify:

General Specifications

- Material** : Ductile Iron per ASTM A536
- Pressure** : 350 PSI rating for 2" - 24" sizes, 250 PSI rating for 30" - 48" sizes and 150 PSI rating for 54" - 64" sizes
- Testing** : In accordance with ANSI/AWWA C153/A21.53 and UL, FM requirements
- Laying Length** : In accordance with ANSI/AWWA C153/A21.53
(fittings not listed in ANSI/AWWA have dimensions per SIP design as noted in the catalog)
- Deflection** : 2" - 4" = 8° | 6" = 7° | 8" - 12" = 5° | 14" - 16" = 3 ½° | 18" - 24" = 3° | 30" - 64" = 2°
- Flanges** : Flanged ends on fittings match ANSI/AWWA C115/A21.15 and ANSI B16.1 class 125 flanges
- Weight** : Are in pounds, unless noted otherwise and do not include accessories, cement lining and coating
- Dimensions** : MJ Bell dimensions meet ANSI/AWWA C111/A21.11 specification. All dimensions are in inches unless noted otherwise.
- Installations** : Per ANSI/AWWA C600 and C111
- Approvals** : 3" - 24" UL Listed | 3" - 24" FM Approved | 3" and higher UL/NSF 61 | 2" and higher NSF/ANSI 61 & 372
Please consult SIP for detail listing and approvals.



Technical Specifications

Select Size	Size	A	B	C	D	F	J	K ₁	K ₂	M	S	L	Ø	X	Bolt		
															No.	Size	Length
	*2	2.50	2.50	3.39	3.50	2.61	4.75	6.19	6.25	0.62	0.36	0.58	28°	¾	2	¾	3
	3	3.96	2.50	4.84	4.94	4.06	6.19	7.62	7.69	0.62	0.39	0.58	28°	¾	4	¾	3
	4	4.80	2.50	5.92	6.02	4.90	7.50	9.06	9.12	0.75	0.39	0.60	28°	¾	4	¾	3 ½
	6	6.90	2.50	8.02	8.12	7.00	9.50	11.06	11.12	0.88	0.43	0.63	28°	¾	6	¾	3 ½
	8	9.05	2.50	10.17	10.27	9.15	11.75	13.31	13.37	1.00	0.45	0.66	28°	¾	6	¾	3 ½
	10	11.10	2.50	12.22	12.34	11.20	14.00	15.62	15.62	1.00	0.47	0.70	28°	¾	8	¾	3 ½
	12	13.20	2.50	14.32	14.44	13.30	16.25	17.88	17.88	1.00	0.49	0.73	28°	¾	8	¾	3 ½
	14	15.30	3.50	16.40	16.54	15.44	18.75	20.25	20.25	1.25	0.55	0.79	28°	¾	10	¾	4
	16	17.40	3.50	18.50	18.64	17.54	21.00	22.50	22.50	1.31	0.58	0.85	28°	¾	12	¾	4
	18	19.50	3.50	20.60	20.74	19.64	23.25	24.83	24.75	1.38	0.68	1.00	28°	¾	12	¾	4
	20	21.60	3.50	22.70	22.84	21.74	25.50	27.08	27.00	1.44	0.69	1.02	28°	¾	14	¾	4
	24	25.80	3.50	26.90	27.04	25.94	30.00	31.58	31.50	1.56	0.75	1.02	28°	¾	16	¾	4 ½
	30	32.00	4.00	33.29	33.46	32.17	36.88	39.12	39.12	2.00	0.82	1.31	20°	1 ½	20	1	5 ½
	36	38.30	4.00	39.59	39.76	38.47	43.75	46.00	46.00	2.00	1.00	1.45	20°	1 ½	24	1	5 ½
	42	44.50	4.00	45.79	45.96	44.67	50.62	53.12	53.12	2.00	1.25	1.45	20°	1 ½	28	1 ¼	6
	48	50.80	4.00	52.09	52.26	50.97	57.50	60.00	60.00	2.00	1.35	1.45	20°	1 ½	32	1 ¼	6
	54	57.56	4.00	58.82	59.02	57.73	63.20	65.70	65.70	2.00	1.45	1.55	20°	1 ½	36	1 ¼	6 ½
	60	61.61	4.00	62.87	63.07	61.78	67.72	70.22	70.22	2.00	1.50	1.75	20°	1 ¾	36	1 ¼	6 ½
	64	65.67	4.00	66.96	67.13	65.84	71.86	74.36	74.36	2.00	1.50	1.75	20°	1 ¾	38	1 ¼	6 ½

* Not Included In AWWA C1

Please refer to our web page www.sipindustries.com for up to date product data and technical advisories