



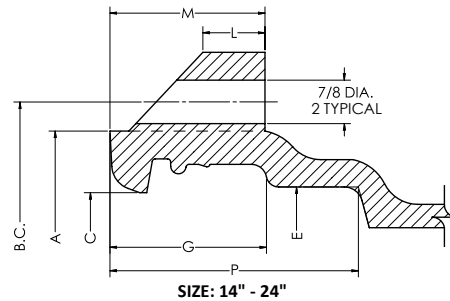
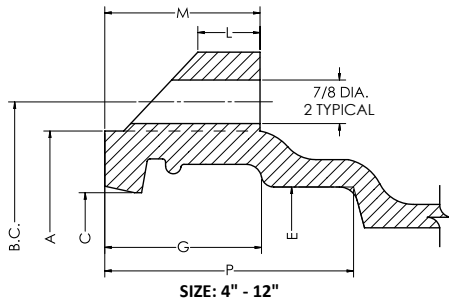
## 4" - 24" DUCTILE IRON PUSH-ON JOINT COMPACT FITTINGS

### Submittal Information

Project Name / Location:	
Engineer:	
Referenced Specs:	
Distributor / Contractor:	

### Optional Specifications

Coating:	Asphaltic Seal Coat <i>In Accordance With ANSI/AWWA C104/A21.4</i>
	Fusion-Bonded Epoxy (FBE) Powder (Red Oxide Color) <i>In Accordance With ANSI/AWWA C116/A21.16</i>
	Arc Zinc <i>In Accordance with ISO 8179-1</i>
	Bare
Other - Specify:	
Lining:	Cement-Mortar - <i>In Accordance With ANSI/AWWA C104/A21.4</i>
	Single Lined                      Double Lined
	Asphalt Coating                  No Asphalt Coating
	Fusion-Bonded Epoxy (FBE) Powder (Red Oxide Color) <i>In Accordance With ANSI/AWWA C116/A21.16</i>
	Ceramic Epoxy
Bare	
Other - Specify:	
Gaskets:	Standard SBR (Buna-S) <i>In Accordance With ANSI/AWWA C111/A21.11</i>
	Other - Specify:



### General Specifications

- Material** : Ductile Iron per ASTM A536
- Pressure** : 350 PSI rating for 4" - 24" sizes  
Pressure rating applies to fittings only, does not apply to Restraining Lugs or External Restrainers
- Testing** : In accordance with ANSI/AWWA C153/A21.53 and UL, FM requirements
- Laying Length** : In accordance with ANSI/AWWA C153/A21.53  
(fittings not listed in ANSI/AWWA have dimensions per SIP design as noted in the catalog)
- Deflection** : 5° maximum deflection
- Joint** : TRIM TYTON® push-on bell joint design, manufactured by SIP Industries, under license from US Pipe TRIM TYTON® is a registered trademark of United States Pipe and Foundry Company, LLC.  
Note: Push-On End Ears are for installation purposes
- Flanges** : Flanged ends on fittings match ANSI/AWWA C115/A21.15 and ANSI B16.1 class 125 flanges
- Weight** : Are in pounds, unless noted otherwise and do not include accessories, cement lining and coating
- Dimensions** : All dimensions are in inches unless noted otherwise.
- Installations** : Per ANSI/AWWA C600 and C111
- Approvals** : 4" - 16" UL Listed | 4" - 16" FM Approved | 4" and higher UL/NSF 61 | 4" and higher NSF/ANSI 61 & 372  
Please consult SIP for detail listing and approvals.



Certified to NSF/ANSI 61 & 372



ANSI/NSF 61 DRINKING WATER SYSTEM COMPONENTS

### Technical Specifications

Select Size	Size	B.C.	A	C	E	G	L	M	P
	4	7.50	6.47	4.91	5.04	1.85	0.87	2.17	4.02
	6	9.56	8.67	7.01	7.14	1.98	0.87	2.17	4.02
	8	11.82	10.93	9.17	9.32	2.47	1.00	2.72	4.49
	10	14.00	13.04	11.22	11.37	2.67	1.12	2.91	4.49
	12	16.25	15.18	13.32	13.47	2.67	1.12	2.99	5.00
	14	19.06	17.89	15.41	15.64	3.15	1.25	3.12	5.00
	16	21.25	20.05	17.51	17.74	3.15	1.25	3.25	5.50
	18	23.50	22.35	19.61	19.84	3.15	1.25	3.25	5.50
	20	25.75	24.47	21.71	21.94	3.15	1.25	3.25	6.00
	24	30.09	28.79	25.91	26.14	3.15	1.25	3.25	6.00

Please refer to our web page [www.sipindustries.com](http://www.sipindustries.com) for up to date product data and technical advisories