



# SIP Industries

Quality Manufacturers Since 1960



## Cleanout & Monument Boxes



SIP INDUSTRIES  
SERAMPORE  
SINCE 1960

[www.sipindustries.com](http://www.sipindustries.com)

Toll Free 877-921-6111

**TABLE OF CONTENTS**

| <b>ITEM #</b>        | <b>DESCRIPTION</b>                                  | <b>PAGE #</b> |
|----------------------|---|---------------|
| 2866                 | 8" CLEANOUT RING & LID EQ. H-8020                   | Page : CMB 3  |
| 5050 - 5054          | CI GATE CAP   | Page : CMB 3  |
| 5100                 | TULSA LAMP POLE BASE & LID                          | Page : CMB 3  |
| 5216                 | KANSAS 4" TOP & LID EQ. CB 2197                     | Page : CMB 4  |
| 5218                 | KANSAS 6" TOP & LID EQ. CB 2194                     | Page : CMB 4  |
| 5237/6458            | MUSHROOM LID  | Page : CMB 4  |
| 5700 - 5702          | WILMINGTON CLEAN OUT BOX & LID                      | Page : CMB 5  |
| 5705 - 5707          | WILMINGTON MONUMENT BOX                             | Page : CMB 5  |
| 5718                 | CLEANOUT MONUMENT BOX & LID                         | Page : CMB 5  |
| 5743                 | 9" X 10" CLEANOUT RING & COVER                      | Page : CMB 6  |
| 6384                 | 6" X 10" SEWER CLEANOUT                             | Page : CMB 6  |
| 6450                 | MIAMI DADE HEXAGON SEWER CLEANOUT                   | Page : CMB 6  |
| 6457                 | DYER BOX RING & COVER CLEAN OUT                     | Page : CMB 7  |
| 6460                 | CLEAN-OUT LATERAL VALVE                             | Page : CMB 7  |
| 6499                 | 12" SEWER CLEANOUT R&C W.T. MARKED "MSDGC"          | Page : CMB 7  |
| 6500                 | CLEAN-OUT HAND HOLE RING & COVER 'S'                | Page : CMB 8  |
| 6501                 | SEWER CLEAN OUT MID-FLANGE                          | Page : CMB 8  |
| 6502                 | SEWER CLEAN OUT BOTTOM FLANGE                       | Page : CMB 8  |
| 6503 - 6503W         | CLEAN OUT TOP FLANGE NEW                            | Page : CMB 9  |
| 6503B                | 10" SEWER CLEAN OUT TOP FLANGE NEW                  | Page : CMB 9  |
| 6504                 | SEWER CLEAN OUT TOP FLANGE                          | Page : CMB 9  |
| 6505 - 6507          | SANITARY CLEAN OUT Y-BOOT                           | Page : CMB 10 |
| 6999                 | 10 1/4" CLEAN OUT FRAME & SEWER LID                 | Page : CMB 10 |
| USF 6993             | 7616 VALVE BOX W/KX COVER                           | Page : CMB 11 |
| USF 7610             | 8" LAMP HOLE CLEANOUT DOMESTIC                      | Page : CMB 11 |
| 7201                 | 9" X 6 1/2" CLEANOUT RING & COVER EQ. M1018         | Page : CMB 12 |
| 7201-L               | 9" X 6 1/2" LOCKING CLEANOUT RING & COVER EQ. M1018 | Page : CMB 12 |
| 7202 - 7202D         | 14" X 4" REVERSIBLE LOCKING RING & COVER EQ. M1060  | Page : CMB 13 |
| 7203CO - 7203SWR     | 8" X 4" CLEANOUT RING & COVER EQ. M1007             | Page : CMB 13 |
| 7203CO-L - 7203SWR-L | 8" X 4" LOCKING CLEANOUT RING & COVER EQ. M1007     | Page : CMB 14 |
| 7212                 | 4" X 12" CO FRAME & COVER EQ. MH05                  | Page : CMB 14 |
| 7212-L - 7212SWR-L   | 4" X 12" CO LOCKING FRAME & COVER EQ. MH05          | Page : CMB 15 |

Contd.....

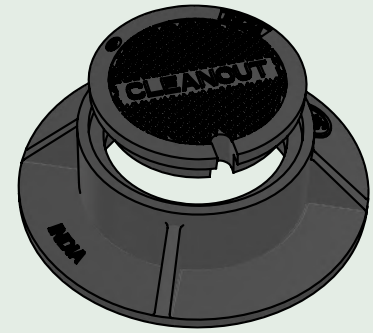
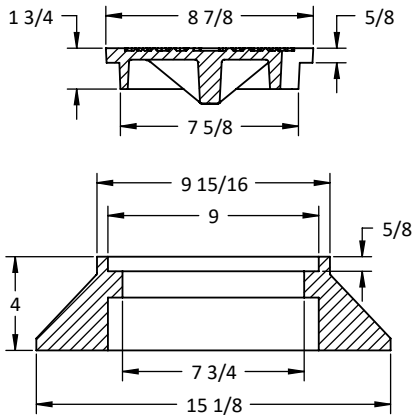
**TABLE OF CONTENTS**

| <u>ITEM #</u> | <u>DESCRIPTION</u>                                | <u>PAGE #</u> |
|---------------|---|---------------|
| 7213          | 11" X 8" SEWER LOCKING RING & COVER               | Page : CMB 15 |
| 7401S - 7401W | 10" X 8" MONUMENT RING & COVER EQ. M1020          | Page : CMB 16 |
| 7403S         | 6" X 8 1/2" MONUMENT RING & SEWER COVER EQ. M1001 | Page : CMB 16 |

- All dimensions are in inches unless noted otherwise.
- All weights are approximate in pounds unless noted otherwise.

8" CLEANOUT RING & LID EQ. H-8020

ITEM # : 2866

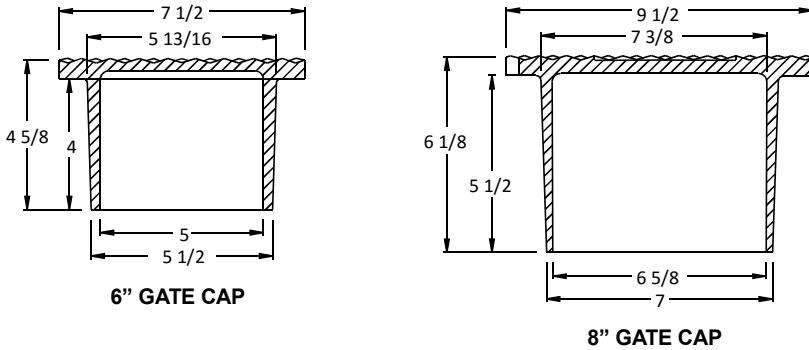


| ITEM #  | DESCRIPTION                             |
|---------|---|
| 2866    | 8" CLEANOUT RING & LID EQ. H-8020       |
| 2866C   | 8" CLEANOUT LID ONLY                    |
| 2866R   | 8" CLEANOUT RING ONLY                   |
| 2866SW  | 8" CLEANOUT RING & SEWER LID EQ. H-8020 |
| 2866CSW | 8" CLEANOUT SEWER LID ONLY              |

Material : Cast Iron, ASTM A48, Class 30B  
 Dimensions : All are in Inch

CI GATE CAP

ITEM # : 5050 - 5054

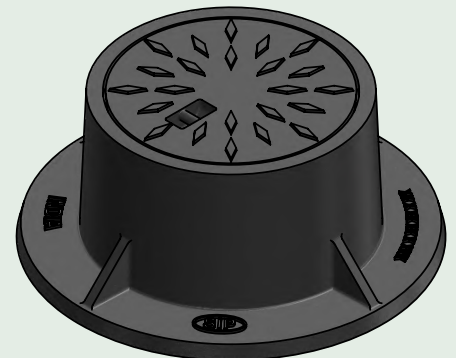
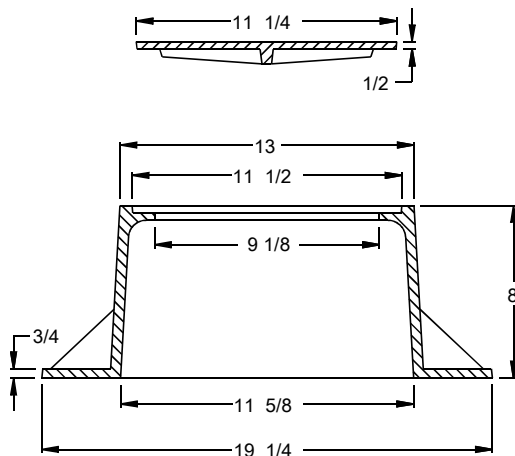


| ITEM # | DESCRIPTION                        | ITEM # | DESCRIPTION                           |
|--------|------------------------------------|--------|---------------------------------------|
| 5050   | 6" CI GATE CAP - WATER             | 5051LU | 8" GATE CAP LIBERTY UTILITIES WATER   |
| 5051   | 8" CI GATE CAP - WATER             | 5051PR | 8" GATE CAP CITY OF PICO RIVERA WATER |
| 5051N  | 8" GATE CAP GSWC WATER             | 5052   | 6" CI GATE CAP - GAS                  |
| 5051RW | 8" GATE RECLAIMED WATER            | 5053   | 6" CI GATE CAP - SEWER                |
| 5051R  | 8" GATE CAP CITY OF REDLANDS WATER | 5054   | 8" CI GATE CAP - WATER NEW            |

Material : Cast Iron, ASTM A48, Class 30B  
 Dimensions : All are in Inch

TULSA LAMP POLE BASE & LID

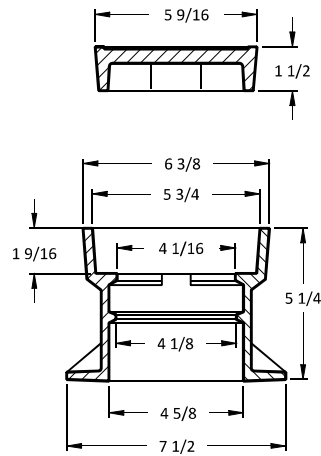
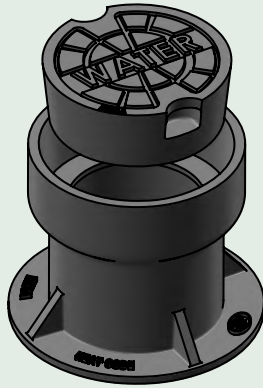
ITEM # : 5100



Material : Cast Iron, ASTM A48, Class 30B  
 Dimensions : All are in Inch

**ITEM # : 5216**

**KANSAS 4" TOP & LID EQ. CB 2197**

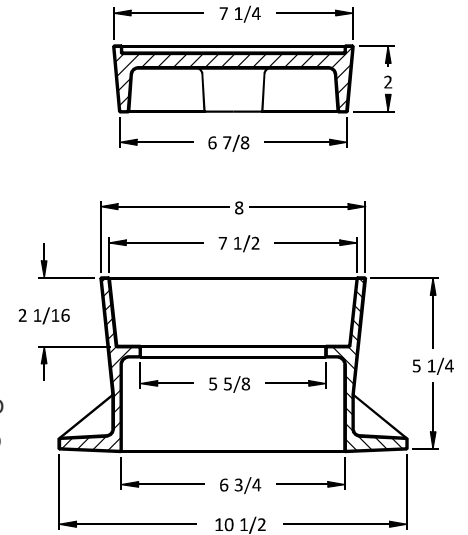
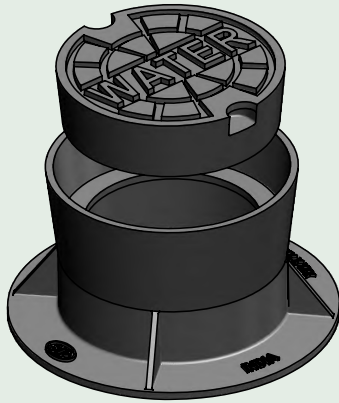


Material : Cast Iron, ASTM A48, Class 30B  
Dimensions : All are in Inch

| ITEM # | DESCRIPTION                             |
|--------|---|
| 5216   | KANSAS 4" TOP & LID "WATER" EQ.CB 2197  |
| 5217   | KANSAS 4" TOP & LID "SEWER" EQ. CB 2197 |

**ITEM # : 5218**

**KANSAS 6" TOP & LID EQ. CB 2194**

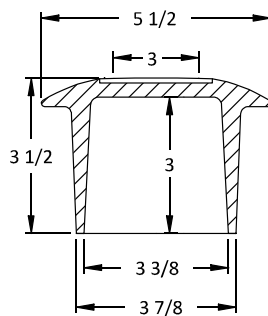
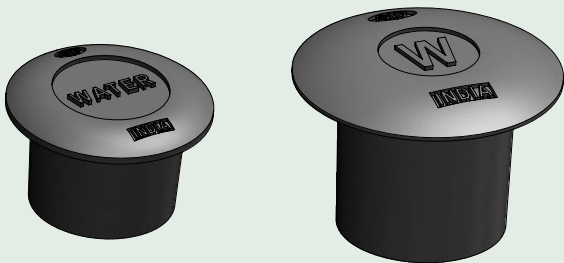


Material : Cast Iron, ASTM A48, Class 30B  
Dimensions : All are in Inch

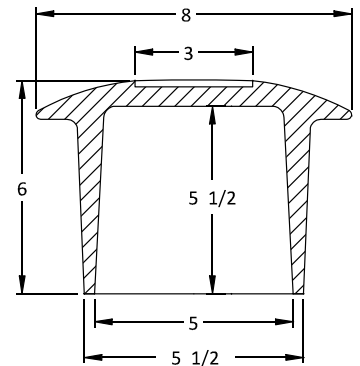
| ITEM # | DESCRIPTION                |
|--------|----------------------------|
| 5218   | KANSAS 6" BODY & WATER LID |
| 5218S  | KANSAS 6" BODY & SEWER LID |
| 5218B  | KANSAS 6" BODY ONLY        |
| 5219   | KANSAS 6" LID ONLY 'WATER' |
| 5219S  | KANSAS 6" LID ONLY 'SEWER' |

**ITEM # : 5237/6458**

**MUSHROOM LID**



4" MUSHROOM LID  
ITEM# 5237



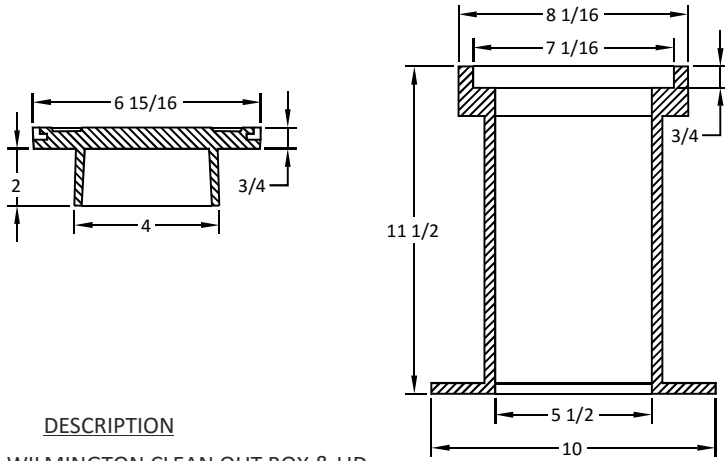
6" MUSHROOM LID  
ITEM# 6458

Material : Cast Iron, ASTM A48, Class 30B  
Dimensions : All are in Inch

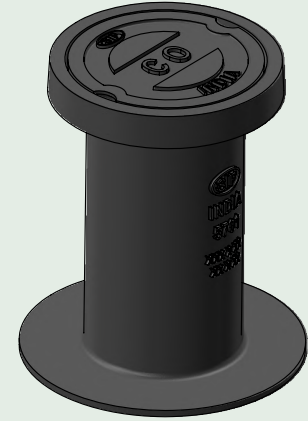


WILMINGTON CLEAN OUT BOX & LID

ITEM # : 5700 - 5702



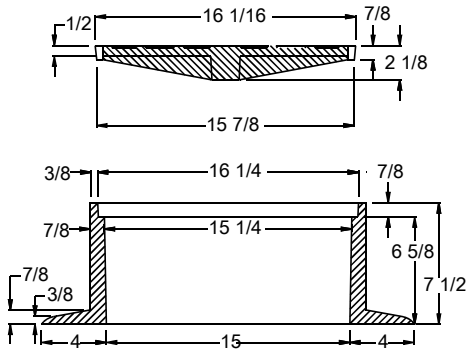
| ITEM # | DESCRIPTION                    |
|--------|--------------------------------|
| 5700   | WILMINGTON CLEAN OUT BOX & LID |
| 5701   | WILMINGTON CLEAN OUT BODY ONLY |
| 5702   | WILMINGTON CLEAN OUT LID ONLY  |



Material : Cast Iron, ASTM A48, Class 30B  
Dimensions : All are in Inch

WILMINGTON MONUMENT BOX

ITEM # : 5705 - 5707



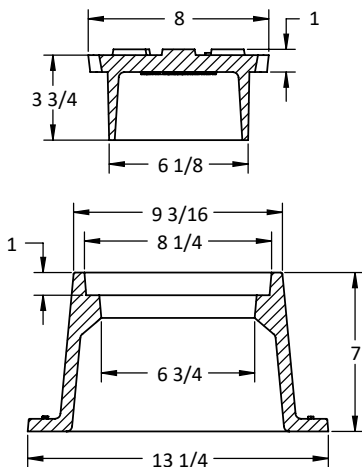
| ITEM # | DESCRIPTION                   |
|--------|-------------------------------|
| 5705   | WILMINGTON MONUMENT BOX       |
| 5706   | WILMINGTON MONUMENT BODY ONLY |
| 5707   | WILMINGTON MONUMENT LID ONLY  |



Material : Cast Iron, ASTM A48, Class 30B  
Dimensions : All are in Inch

CLEANOUT MONUMENT BOX & LID

ITEM # : 5718



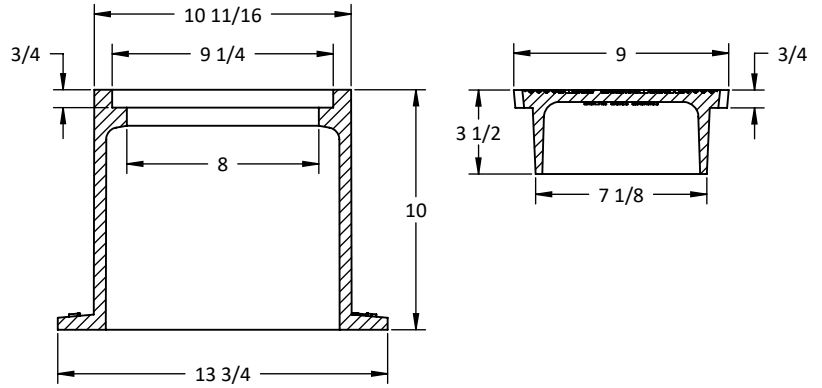
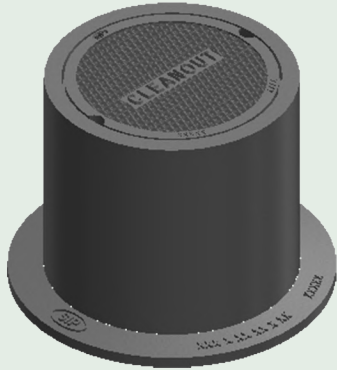
| ITEM # | DESCRIPTION                 |
|--------|-----------------------------|
| 5718   | CLEANOUT MONUMENT BOX & LID |
| 5718L  | CLEANOUT MONUMENT LID ONLY  |
| 5718R  | CLEANOUT MONUMENT RING ONLY |



Material : Cast Iron, ASTM A48, Class 30B  
Dimensions : All are in Inch

**ITEM # : 5743**

**9" X 10" CLEANOUT RING & COVER**

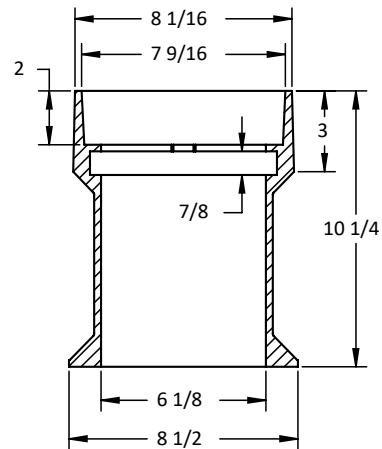
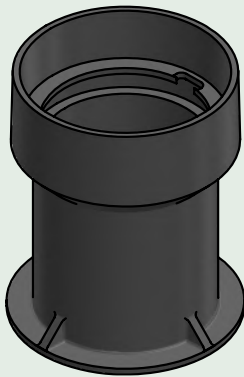


Material : Cast Iron, ASTM A48, Class 30B  
Dimensions : All are in Inch

| ITEM # | DESCRIPTION                    |
|--------|--------------------------------|
| 5743   | 9" X 10" CLEANOUT RING & COVER |
| 5743C  | 9" X 10" CLEANOUT COVER ONLY   |
| 5743R  | 9" X 10" CLEANOUT RING ONLY    |

**ITEM # : 6384**

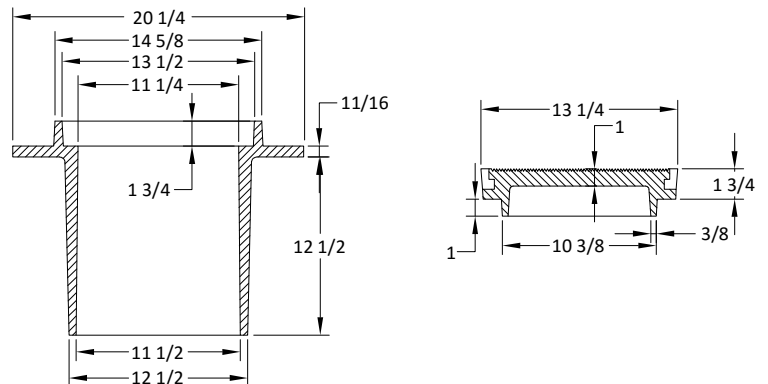
**6" X 10" SEWER CLEANOUT**



Material : Cast Iron, ASTM A48, Class 30B  
Dimensions : All are in Inch

**ITEM # : 6450**

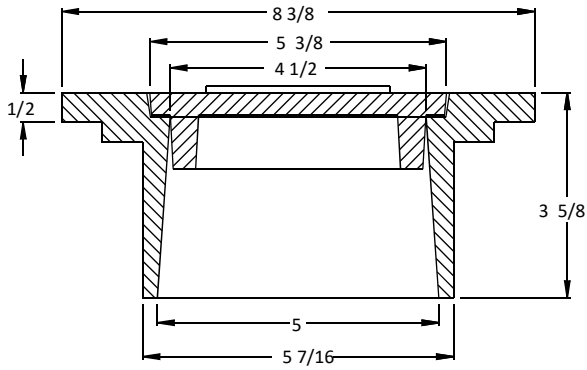
**U @ U @ ° ) - ' = - Ē 8 \ V ' o † - k # Q ° V \ y u**



Material : Cast Iron, ASTM A48, Class 30B  
Dimensions : All are in Inch

)' -k" \k@8' #\†-k#Q° V\yu

ITEM # : 6457

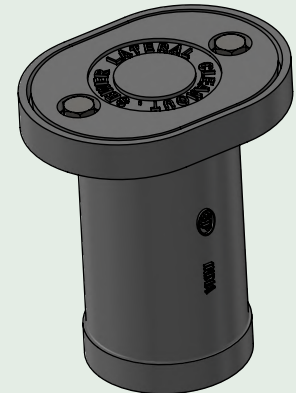
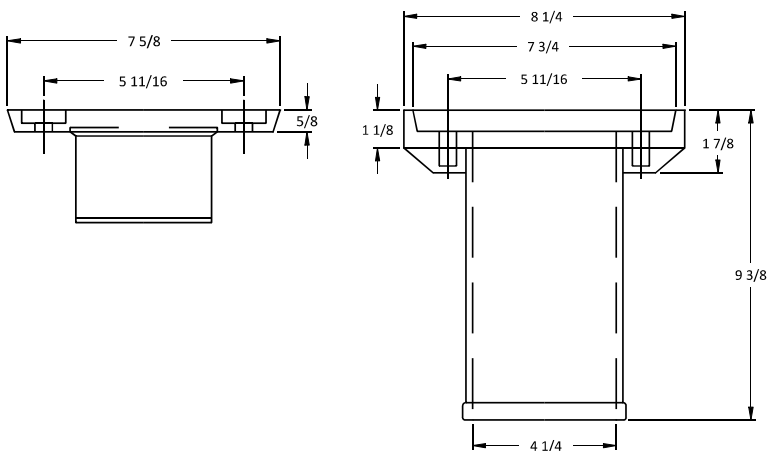


| ITEM # | DESCRIPTION                             |
|--------|---|
| 6457   | DYER BOX RING & COVER CLEAN OUT 'WATER' |
| 6457G  | DYER BOX RING & COVER CLEAN OUT 'GAS'   |
| 6457S  | DYER BOX RING & COVER CLEAN OUT 'SEWER' |

Material : Cast Iron, ASTM A48, Class 30B  
 Dimensions : All are in Inch

#Q° V \yuO u-k° Ot° Q-

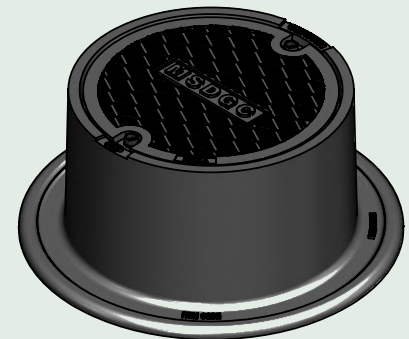
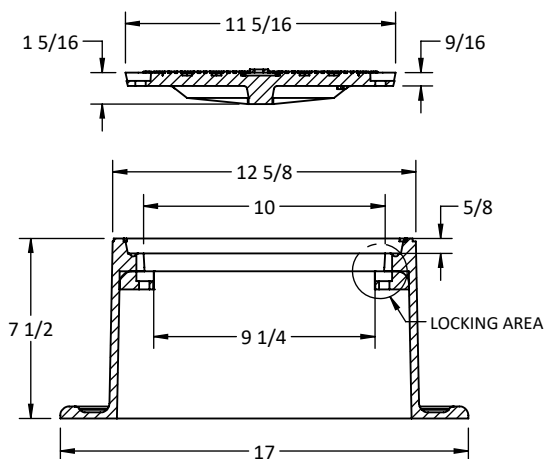
ITEM # : 6460



Material : Cast Iron, ASTM A48, Class 30B  
 Dimensions : All are in Inch

12" SEWER CLEANOUT R&C W.T. MARKED "MSDGC"

ITEM # : 6499

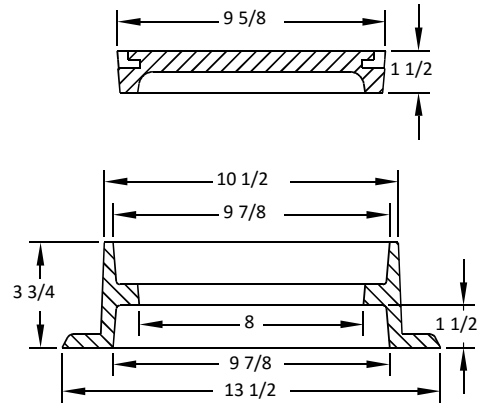


Material : Cast Iron, ASTM A48, Class 30B  
 Dimensions : All are in Inch



**ITEM # : 6500**

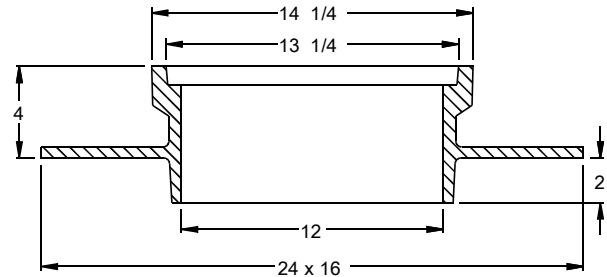
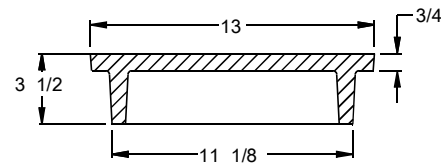
**CLEAN-OUT HAND HOLE RING & COVER 'S'**



Material : Cast Iron, ASTM A48, Class 30B  
Dimensions : All are in Inch

**ITEM # : 6501**

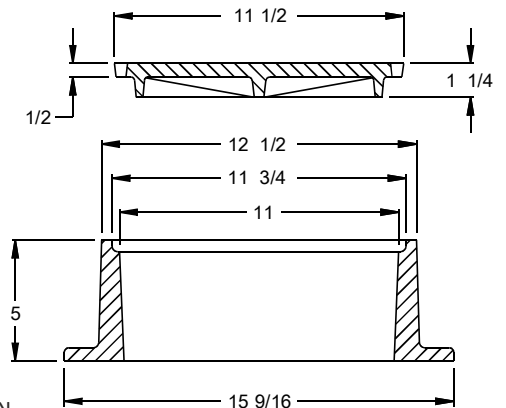
**SEWER CLEAN OUT MID-FLANGE**



Material : Cast Iron, ASTM A48, Class 30B  
Dimensions : All are in Inch

**ITEM # : 6502**

**SEWER CLEAN OUT BOTTOM FLANGE**

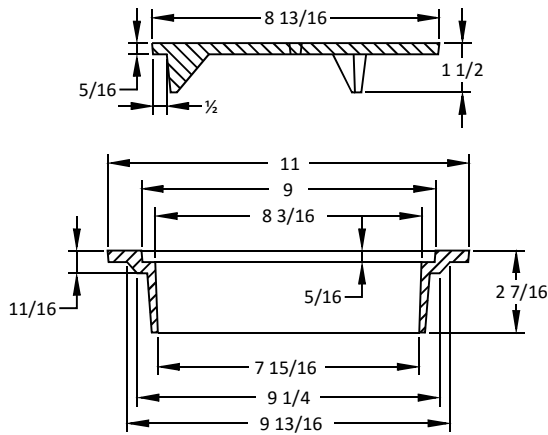


Material : Cast Iron, ASTM A48, Class 30B  
Dimensions : All are in Inch

| ITEM #  | DESCRIPTION                             |
|---------|---|
| 6502    | SEWER CLEAN OUT BOTTOM FLANGE           |
| 6502B   | SEWER CLEAN OUT BOTTOM FLANGE BASE ONLY |
| 6502L   | SEWER CLEAN OUT BOTTOM FLANGE LID ONLY  |
| 6502STM | STORM CLEAN OUT BOTTOM FLANGE           |

CLEAN OUT TOP FLANGE NEW

ITEM # : 6503 - 6503W



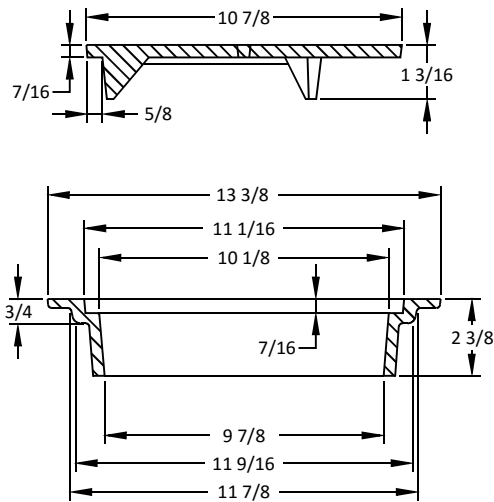
ITEM # DESCRIPTION

- 6503 SEWER CLEAN OUT TOP FLANGE NEW
- 6503W WATER CLEAN OUT TOP FLANGE

Material : Cast Iron, ASTM A48, Class 30B  
 Dimensions : All are in Inch

10" SEWER CLEAN OUT TOP FLANGE NEW

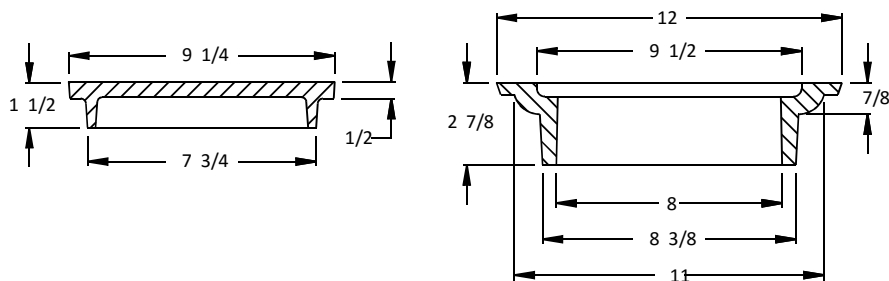
ITEM # : 6503B



Material : Cast Iron, ASTM A48, Class 30B  
 Dimensions : All are in Inch

SEWER CLEAN OUT TOP FLANGE

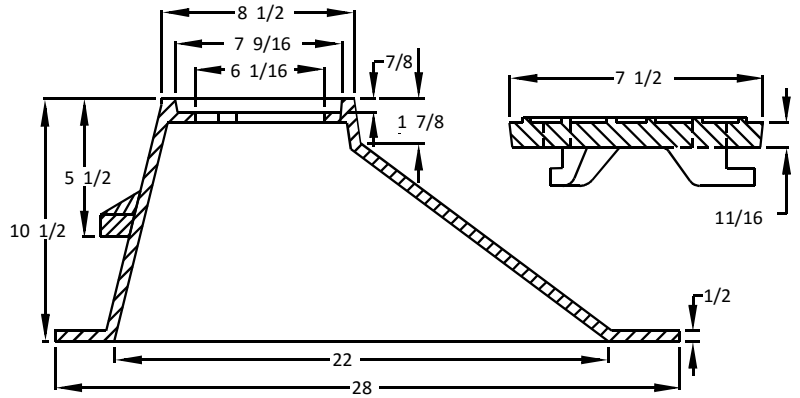
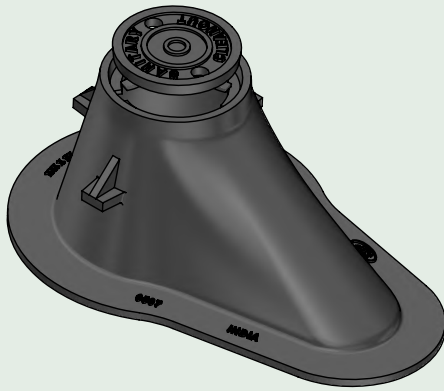
ITEM # : 6504



ITEM # DESCRIPTION

- 6504 SEWER CLEAN OUT TOP FLANGE
- 6504C SEWER CLEAN OUT COVER ONLY
- 6504R SEWER CLEAN OUT TOP FLANGE RING ONLY

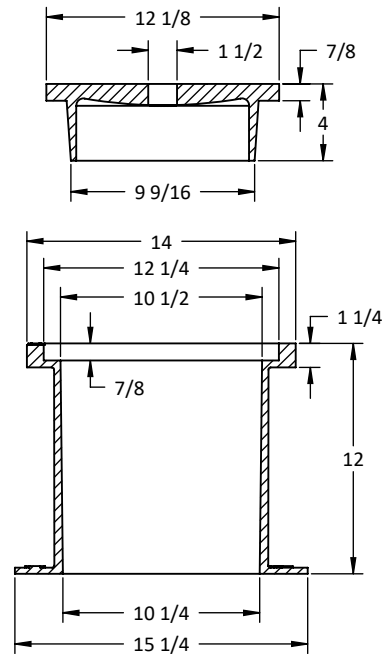
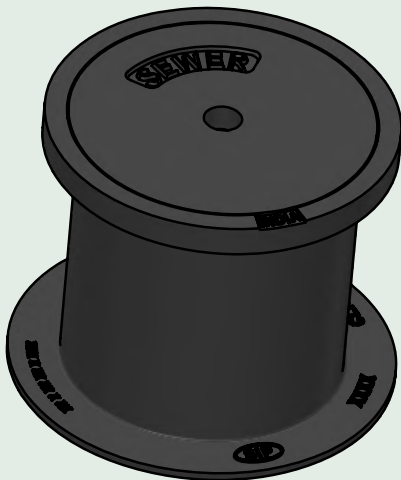
Material : Cast Iron, ASTM A48, Class 30B  
 Dimensions : All are in Inch



| ITEM # | DESCRIPTION               |
|--------|---------------------------|
| 5      | SANITARY CLEAN OUT Y-BOOT |
| 6      | Y-BOOT LID ONLY           |
| 07     | Y-BOOT BODY ONLY          |

Material : Cast Iron, ASTM A48, Class 30B

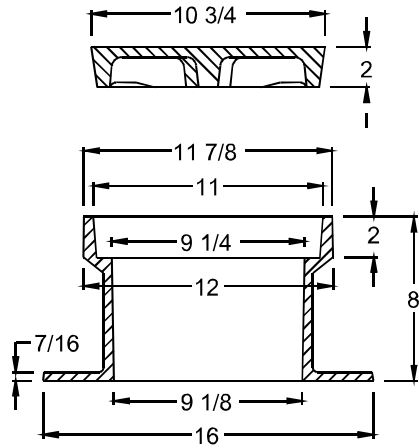
Dimensions : All are in Inch



| ITEM #   | DESCRIPTION                         |
|----------|-------------------------------------|
| 6999     | 10 1/4" CLEAN OUT FRAME & SEWER LID |
| 6999CO   | 10 1/4" CLEAN OUT FRAME & "CO" LID  |
| 6999F    | 10 1/4" CLEAN OUT FRAME ONLY        |
| 6999L-CO | 10 1/4" CLEAN OUT "CO" LID ONLY     |
| 6999L-S  | 10 1/4" CLEAN OUT SEWER LID ONLY    |
| 6999L-SD | 10 1/4" CLEAN OUT "SD" LID ONLY     |
| 6999L-W  | 10 1/4" CLEAN OUT WATER LID ONLY    |
| 6999SD   | 10 1/4" CLEAN OUT FRAME & "SD" LID  |
| 6999W    | 10 1/4" CLEAN OUT FRAME & WATER LID |

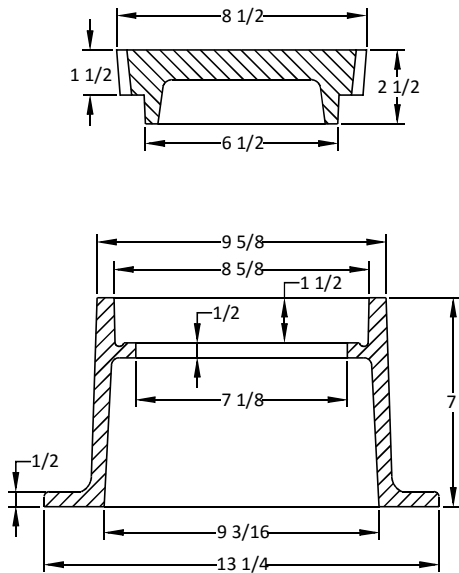
Material : Cast Iron, ASTM A48, Class 30B

Dimensions : All are in Inch



| ITEM #   | DESCRIPTION                |
|----------|----------------------------|
| USF6993  | 7616 VALVE BOX W/ KX COVER |
| USF6993B | 7616 VALVE BOX BASE ONLY   |
| USF6993L | 7616 VALVE BOX LID ONLY    |

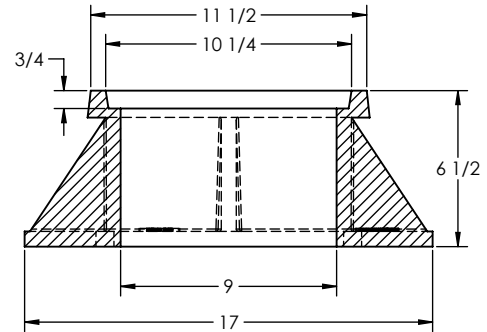
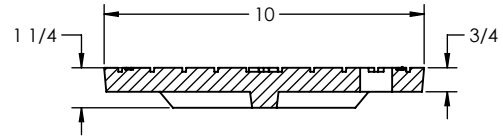
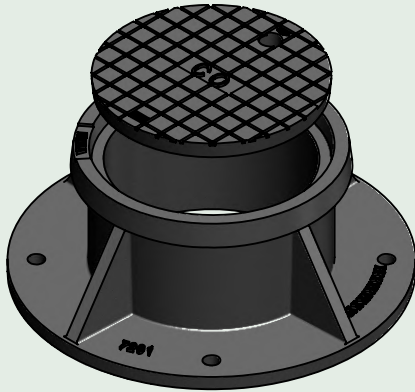
Material : Cast Iron, ASTM A48, Class 30B  
Dimensions : All are in Inch



Material : Cast Iron, ASTM A48, Class 30B  
Dimensions : All are in Inch

**ITEM # : 7201**

**9" X 6 1/2" CLEANOUT RING & COVER EQ. M1018**

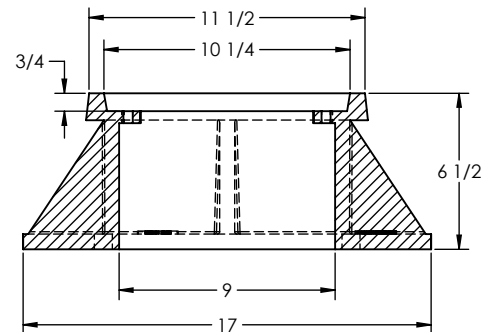
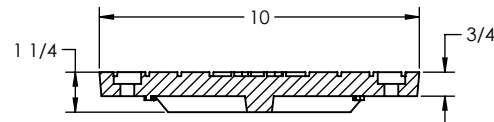
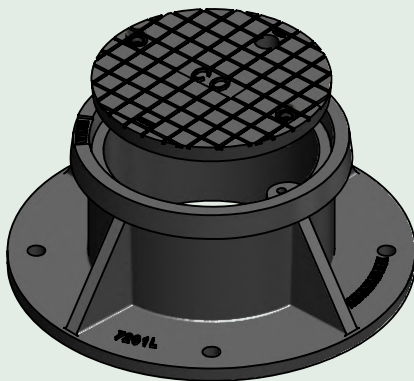


Material : Cast Iron, ASTM A48, Class 30B  
Dimensions : All are in Inch

| ITEM # | DESCRIPTION                                 |
|--------|---|
| 7201   | 9" X 6 1/2" CLEANOUT RING & COVER EQ. M1018 |
| 7201R  | 9" X 6 1/2" CLEANOUT RING ONLY EQ. M1018    |
| 7201C  | 9" X 6 1/2" CLEANOUT COVER ONLY EQ. M1018   |

**ITEM # : 7201-L**

**9" X 6 1/2" LOCKING CLEANOUT RING & COVER EQ. M1018**

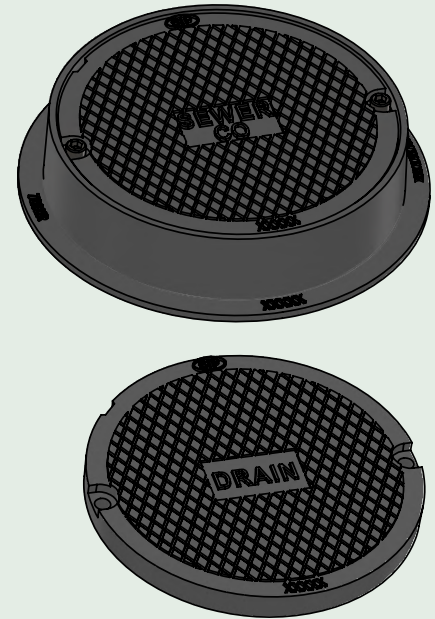
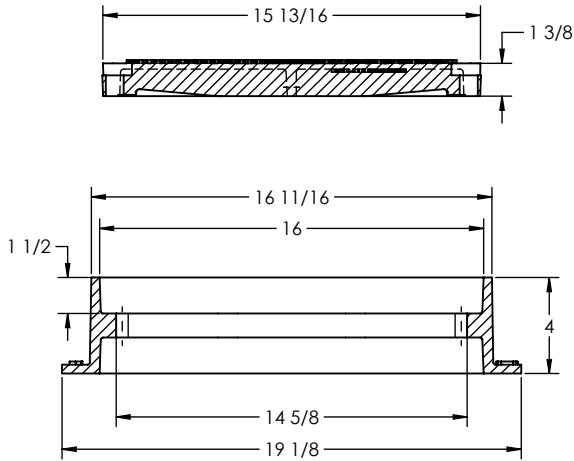


Material : Cast Iron, ASTM A48, Class 30B  
Dimensions : All are in Inch

| ITEM #  | DESCRIPTION   |
|---------|---|
| 7201-L  | 9" X 6 1/2" LOCKING CLEANOUT RING & COVER EQ. M1018 |
| 7201-LR | 9" X 6 1/2" LOCKING CLEANOUT RING ONLY EQ. M1018    |
| 7201-LC | 9" X 6 1/2" LOCKING CLEANOUT COVER ONLY EQ. M1018   |

14" X 4" REVERSIBLE LOCKING RING & COVER EQ. M1060

ITEM # : 7202 - 7202D

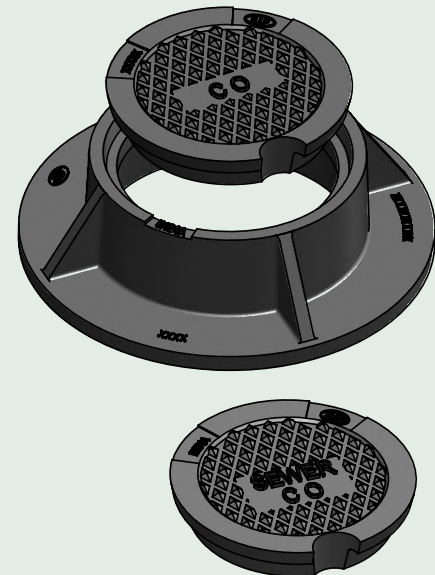
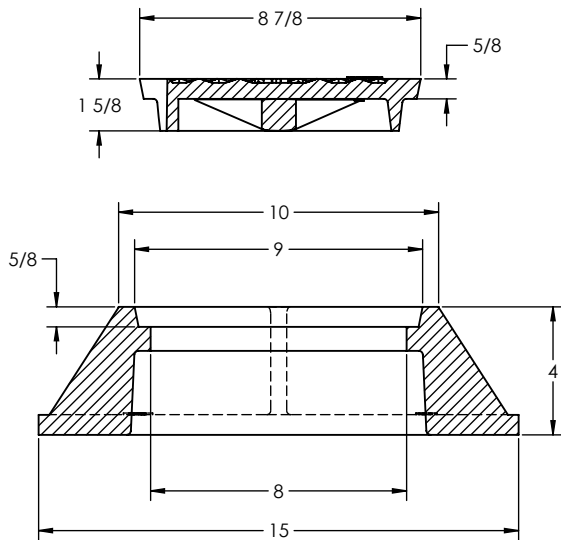


| ITEM #  | DESCRIPTION   |
|---------|---|
| 7202    | 14" X 4" REVERSIBLE LOCKING SEWER CO RING & COVER EQ. M1060 |
| 7202C   | 14" X 4" LOCKING SEWER CO COVER ONLY EQ. M1060              |
| 7202R   | 14" X 4" REVERSIBLE LOCKING RING ONLY EQ. M1060             |
| 7202D   | 14" X 4" REVERSIBLE LOCKING DRAIN RING & COVER EQ. M1060    |
| 7202D-C | 14" X 4" LOCKING DRAIN COVER ONLY EQ. M1060                 |

Material : Cast Iron, ASTM A48, Class 30B  
 Dimensions : All are in Inch

8" X 4" CLEANOUT RING & COVER EQ. M1007

ITEM # : 7203CO - 7203SWR

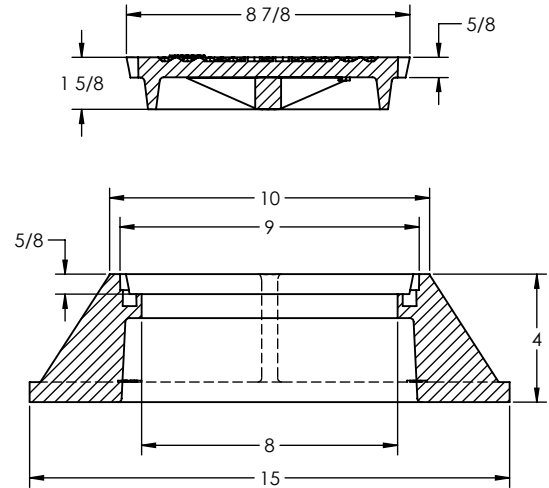
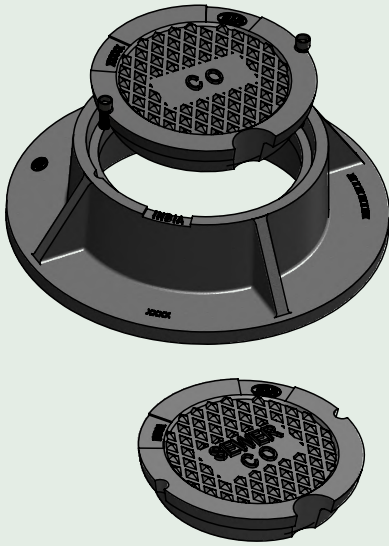


| ITEM #    | DESCRIPTION                                   |
|-----------|---|
| 7203CO    | 8" X 4" CLEANOUT RING & COVER EQ. M1007       |
| 7203CO-C  | 8" X 4" CLEANOUT COVER ONLY EQ. M1007         |
| 7203R     | 8" X 4" CLEANOUT RING ONLY EQ. M1007          |
| 7203SWR   | 8" X 4" SEWER CLEANOUT RING & COVER EQ. M1007 |
| 7203SWR-C | 8" X 4" SEWER CLEANOUT COVER ONLY EQ. M1007   |

Material : Cast Iron, ASTM A48, Class 30B  
 Dimensions : All are in Inch



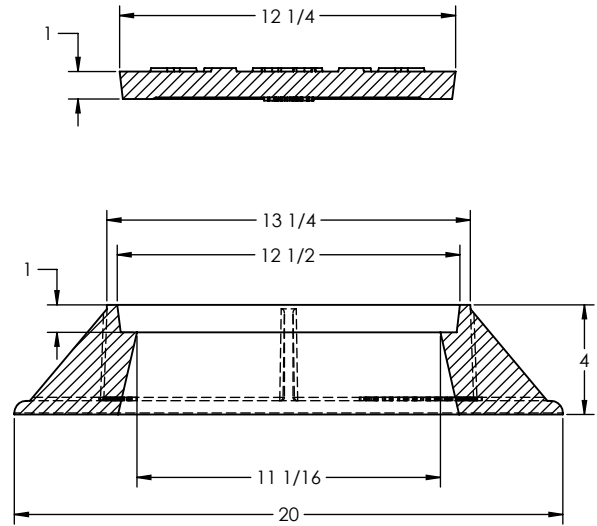
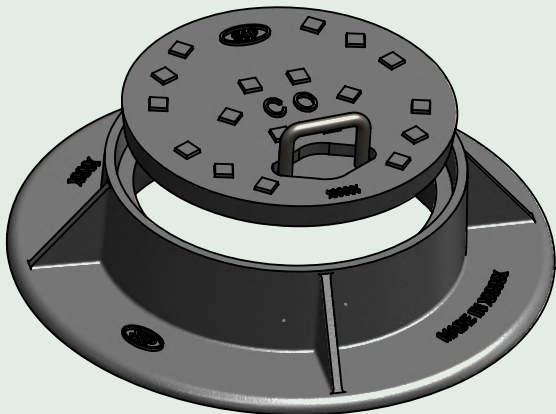
**ITEM # : 7203CO-L - 7203SWR-L 8" X 4" LOCKING CLEANOUT RING & COVER EQ. M1007**



| ITEM #     | DESCRIPTION   |
|------------|---|
| 7203CO-L   | 8" X 4" LOCKING CLEANOUT RING & COVER EQ. M1007       |
| 7203CO-LC  | 8" X 4" LOCKING CLEANOUT COVER ONLY EQ. M1007         |
| 7203LR     | 8" X 4" LOCKING CLEANOUT RING ONLY EQ. M1007          |
| 7203SWR-L  | 8" X 4" LOCKING SEWER CLEANOUT RING & COVER EQ. M1007 |
| 7203SWR-LC | 8" X 4" LOCKING SEWER CLEANOUT COVER ONLY EQ. M1007   |

Material : Cast Iron, ASTM A48, Class 30B  
Dimensions : All are in Inch

**ITEM # : 7212 4" X 12" CO FRAME & COVER EQ. MH05**

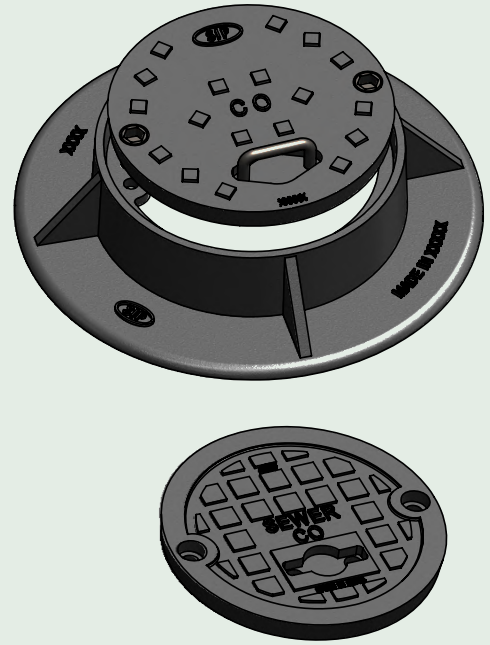
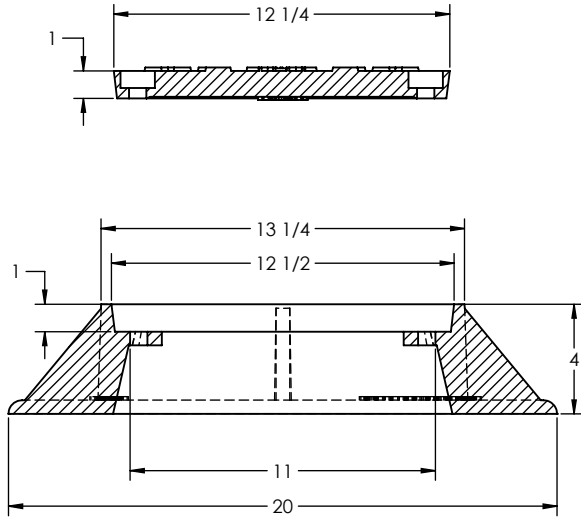


| ITEM # | DESCRIPTION                        |
|--------|------------------------------------|
| 7212   | 4" X 12" CO FRAME & COVER EQ. MH05 |
| 7212C  | 4" X 12" CO COVER ONLY EQ. MH05    |
| 7212R  | 4" X 12" CO FRAME ONLY EQ. MH05    |

Material : Cast Iron, ASTM A48, Class 30B  
Dimensions : All are in Inch

4" X 12" CO LOCKING FRAME & COVER EQ. MH05

ITEM # : 7212-L - 7212SWR-L

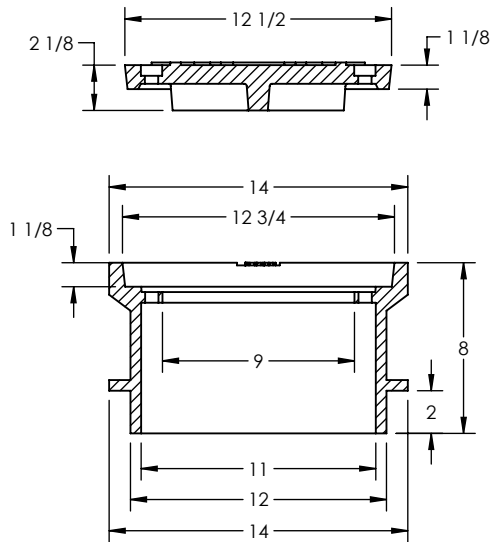


| ITEM #     | DESCRIPTION                                      |
|------------|--|
| 7212-L     | 4" X 12" CO LOCKING FRAME & COVER EQ. MH05       |
| 7212-LC    | 4" X 12" CO LOCKING COVER ONLY EQ. MH05          |
| 7212-LR    | 4" X 12" CO LOCKING FRAME ONLY EQ. MH05          |
| 7212SWR-L  | 4" X 12" SEWER CO LOCKING FRAME & COVER EQ. MH05 |
| 7212SWR-LC | 4" X 12" SEWER CO LOCKING COVER ONLY EQ. MH05    |

Material : Cast Iron, ASTM A48, Class 30B  
 Dimensions : All are in Inch

11" X 8" SEWER LOCKING RING & COVER

ITEM # : 7213

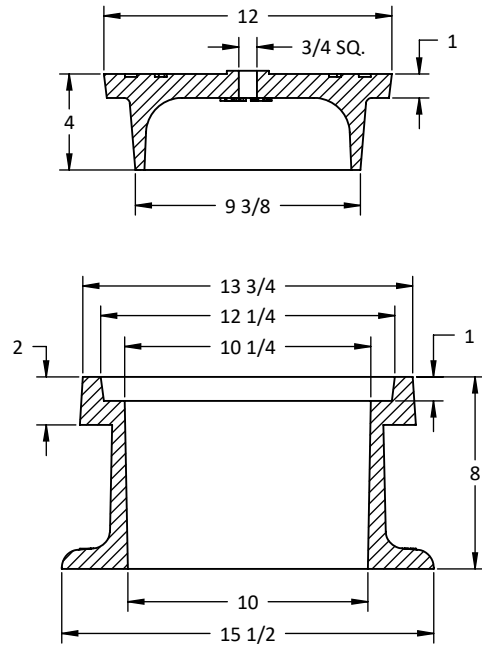
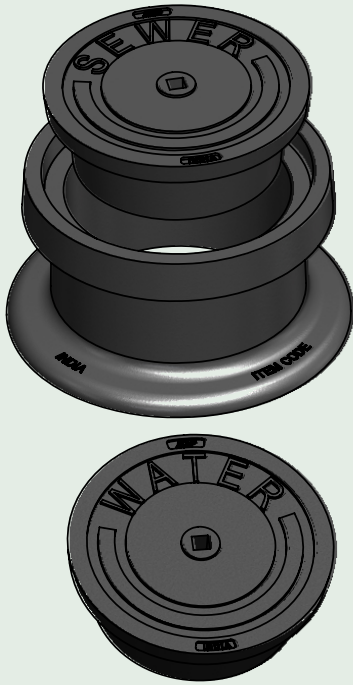


| ITEM # | DESCRIPTION                                   |
|--------|---|
| 7213   | 11" X 8" SEWER LOCKING RING & COVER EQ. M1025 |
| 7213C  | 11" X 8" SEWER LOCKING COVER ONLY EQ. M1025   |
| 7213R  | 11" X 8" SEWER LOCKING FRAME ONLY EQ. M1025   |

Material : Cast Iron, ASTM A48, Class 30B  
 Dimensions : All are in Inch

**ITEM # : 7401S - 7401W**

**10" X 8" MONUMENT RING & COVER EQ. M1020**



**Material** : Cast Iron, ASTM A48, Class 30B

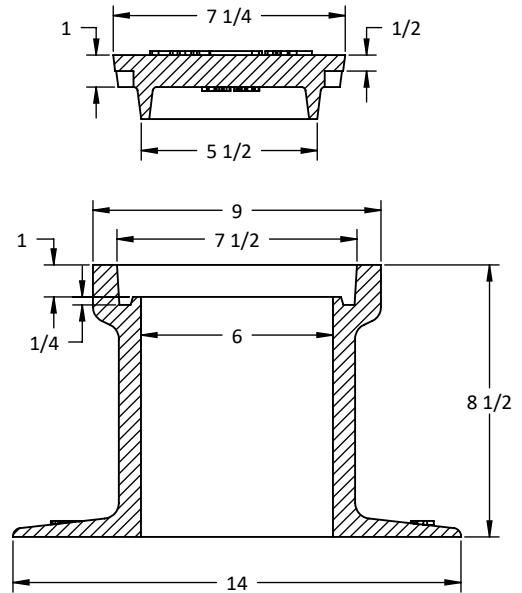
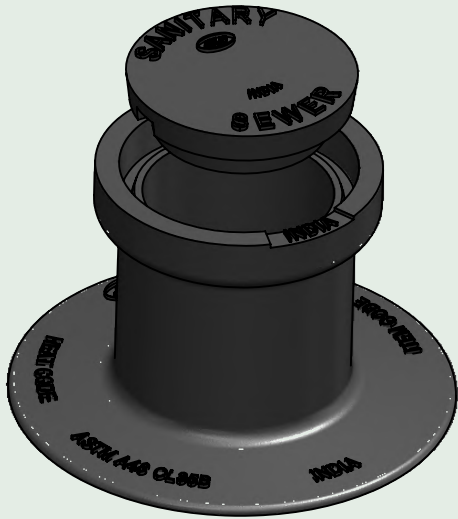
**Dimensions** : All are in Inch

**ITEM # DESCRIPTION**

- 7401S 10" X 8" MONUMENT RING & SEWER COVER EQ. M1020
- 7401S-L 10" X 8" MONUMENT SEWER COVER EQ. M1020
- 7401S-R 10" X 8" MONUMENT RING ONLY EQ. M1020
- 7401W 10" X 8" MONUMENT RING & WATER COVER EQ. M1020
- 7401W-L 10" X 8" MONUMENT WATER COVER EQ. M1020

**ITEM # : 7403S**

**6" X 8 1/2" MONUMENT RING & SEWER COVER EQ. M1001**



**Material** : Cast Iron, ASTM A48, Class 30B

**Dimensions** : All are in Inch

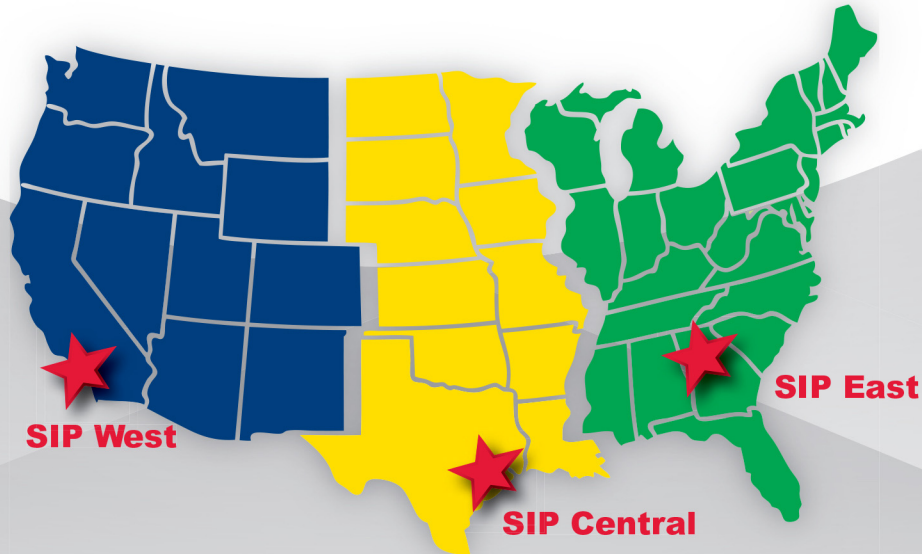
**ITEM # DESCRIPTION**

- 7403S 6" X 8 1/2" MONUMENT RING & SEWER COVER EQ. M1001
- 7403S-L 6" X 8 1/2" MONUMENT SEWER COVER ONLY EQ. M1001
- 7403S-R 6" X 8 1/2" MONUMENT RING ONLY EQ. M1001



# SIP Industries

Quality Manufacturers Since 1960



## PRODUCT LINE

### AWWA DI Fittings & Accessories

- C153 Compact MJ Fittings and Acc. 2" - 64"
- C110 Full Body MJ Fittings 2" - 64"
- C153 Trim Tyton® Push-On Fittings 4" - 24"
- C110 Flange Fittings 2" - 64"
- MJ x MJ Adapter for Connecting MJ Bells 3" - 24"
- Stainless Steel & Blue T-Bolts
- Made in India, China & Mexico
- Bare, Cement, Zinc, FBE & Other Linings

### Joint Restraint System

- EZD Joint Restraint for DI Pipe 3" - 48"
- EZDTP Joint Restraint Tandem for DI Pipe 3" - 48"
- EZDPTP Joint Restraint for Push-On Joints DI Pipe 3" - 48"
- Ductile Iron Retainer Glands 3" - 30"
- FAR / FAH Flange Adapter for DI Pipe 3" - 48"
- EZFA Restrained Flange Adapter for DI and PVC Pipe 3" - 36"
- EZPVC Joint Restraint for PVC Pipe 3" - 36"
- ULTRA Joint Restraint for PVC Pipe 4" - 12"
- EZPVCPTP Joint Restraint for Push-On Joints PVC Pipe 14" - 36"
- PTPVC Pipe to Pipe Restraint 4" - 48"
- PTPDF Pipe to MJ Fittings Restraint 4" - 48"
- PTPFC Pipe to PVC Fittings Restraint 4" - 12"
- Made in China & USA
- EZ Shield or Shop Coating

### Municipal Construction Castings

- Manhole Rings and Cover
- Frames and Grates
- Valve Boxes and Service Boxes
- Water Meter Covers and Boxes
- Cleanout and Monument Boxes
- Detectable Warning Plates
- Extension Rings
- Trench Grates and Tree Grates
- Made in India & USA

### Fabrication Products for DI Pipe

- High Hub Flanges Class 150 and 250. 3" - 64"
- Threaded Bell Flanges 3" - 48"
- Anchor Flanges 3" - 60"
- Filler Flanges 4" - 30"

### Other Products and Services

- All Thread Rod
- Pipe Lube and Hydraulic Cement
- Socket Clamps and Lugs
- Flange Packs
- OEM Castings



**SIP CORPORATE** 8876 Gulf Freeway, Suite 500, Houston, TX 77017

**SIP CENTRAL** 2900 Patio Drive, Houston, TX 77017

**SIP EAST** 600 Rayloc Drive, Atlanta, GA 30336

**SIP WEST** 8333 Almeria Avenue, Fontana, CA 92335

Phone: 877-921-6111 or 713-923-6111 | Fax: 713-923-6114 | [www.sipindustries.com](http://www.sipindustries.com) | [sales@sipindustries.com](mailto:sales@sipindustries.com)