



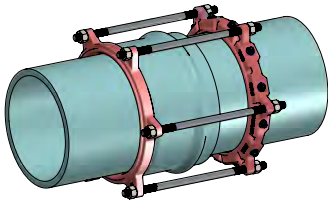
14" - 36" PIPE TO PIPE BELL JOINT WEDGE ACTION RESTRAINT FOR PVC PIPE

Submittal Information

| | |
|---------------------------|--|
| Project Name / Location: | |
| Engineer: | |
| Referenced Specs: | |
| Distributor / Contractor: | |

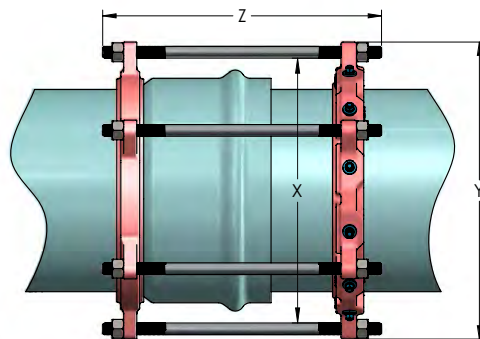
Optional Specifications

| | |
|------------------|--|
| Coating: | Standard Alkyd, Direct To Metal (DTM) Enamel (Red) |
| | EZ-Shield® Polyester Based Powder Coating (Red) |
| | Other - Specify: |
| Rods & Nuts: | Standard High Strength Low Alloy Steel (HSLA) <i>In Accordance With ANSI/AWWA C111/A21.11</i> |
| | Fluoropolymer Corrosion Resistant Coating |
| | Stainless Steel: Type 304 Type 316 |
| Other - Specify: | |



General Specifications

- Material** : Harness body, gland and wedges are Ductile Iron per ASTM A536, Grade 65-45-12
- Pressure** : Pressure rating equal to that of the PVC pipe rating, with a minimum 2:1 safety factor. The grip of the 360° circumferential serrations and the wedges increase as the hydrostatic pressure increases
- Dimensions** : Restraint is compatible with all bell and spigot (push-on) joint socket PVC pipe meeting the following Standards...
Compatible with 14" - 36" AWWA C90 (PVC)
- Installations** : Install in accordance with SIP installation procedures and intent of AWWA C605 / M23.
Pipe ends must be free from defects to allow wedges to properly engage the pipe ends.
Wedge pockets must be free for debris intrusion to allow movement, polyethylene wrap of the restraint is recommended as a prevention.
Note: There are no additional tools required for installation other than the tools required to install standard sizes of hex nuts from 5/8"-2". The hex heads and rods shall be designed to tighten clockwise.
- Deflection** : Restraint allows the full joint deflection dictated by pipe manufacturer's recommendation, and maintains the seal while under pressure, and while subjected to ground movements



| MAXIMUM WATER WORKING PRESSURE RATING WITH OCCASSIONAL SURGES | | | | | | | |
|---|-------------------------------|------|------|------|--------|------|------|
| NOMINAL PIPE SIZE (IN) | C905 PVC PIPE CLASSIFICATIONS | | | | | | |
| | DR14 | DR18 | DR21 | DR25 | DR32.5 | DR41 | DR51 |
| 14 | 235 | 235 | 200 | 165 | - | - | - |
| 16 | 235 | 235 | 200 | 165 | - | - | - |
| 18 | 235 | 235 | 200 | 165 | - | - | - |
| 20 | 235 | 235 | 200 | 165 | - | - | - |
| 24 | 200 | 200 | 200 | 165 | - | - | - |
| 30 | - | - | 165 | 165 | - | - | - |
| 36 | - | - | 125 | 125 | - | - | - |

Technical Specifications

| Select Size | Size | Series Number | C905 Pipe CI OD | X (Min.) | Y (Max.) | Rods Qty. | Z Rods Size | Approx. Weight (Lbs) |
|-------------|------|---------------|-----------------|----------|----------|-----------|-------------|----------------------|
| | 14 | EZPVCPTP14 | 15.30 | 20.44 | 23.27 | 5 | 1 X 26 | 115 |
| | 16 | EZPVCPTP16 | 17.40 | 22.81 | 25.63 | 6 | 1 X 30 | 140 |
| | 18 | EZPVCPTP18 | 19.50 | 24.94 | 27.76 | 6 | 1 X 26 | 150 |
| | 20 | EZPVCPTP20 | 21.60 | 27.19 | 30.02 | 7 | 1 X 26 | 175 |
| | 24 | EZPVCPTP24 | 25.80 | 31.68 | 35.02 | 8 | 1 ¼ X 32 | 270 |
| | 30 | EZPVCPTP30 | 32.00 | 39.30 | 42.88 | 10 | 1 ¼ X 42 | 412 |
| | 36 | EZPVCPTP36 | 38.30 | 46.18 | 49.77 | 12 | 1 ¼ X 42 | 500 |

All dimensions are in inches unless noted otherwise. All weights are approximate in pounds unless noted otherwise.

Supporting documentation for the above 'General Specifications' and 'Optional Specifications' are available upon request to review, in addition to Installation Instructions and any requested material samples

Please contact SIP for technical assistance of nonstandard applications, pressures and bell dimensions that exceed listed X dimensions

Please refer to our web page www.sipindustries.com for up to date product data and technical advisories