

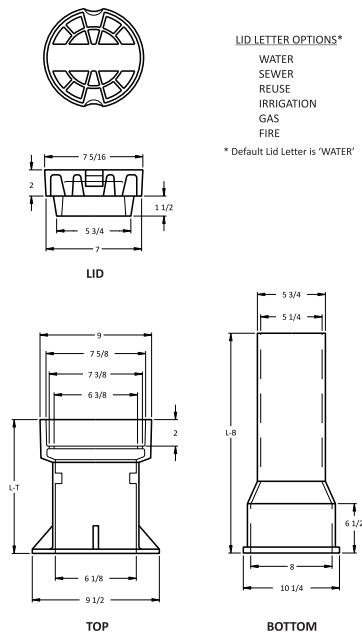


STANDARD & HEAVY DUTY VALVE AND SERVICE BOXES

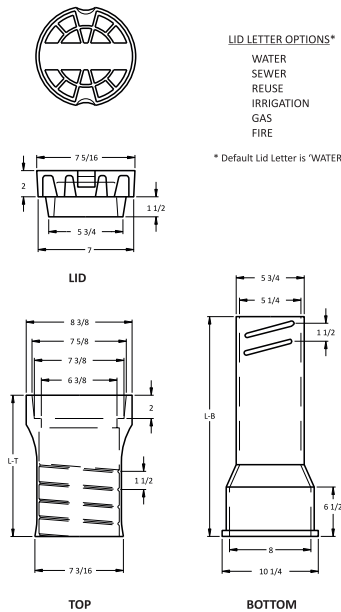
General Specifications

- Material : Valve and service boxes are produced with either Grey Iron ASTM A48 CL30/CL35 or Ductile Iron ASTM A536 with standard lengths of 19" – 82".
- Standards : Valve boxes are produced to meet the applicable American Association of State Highway and Transportation Officials (AASHTO) provisions.
Castings are coated with asphaltic bituminous coating with minimum 1.5 mil thickness.

Series 6000 5 1/4" Shaft Screw Type



Series 6100 5 1/4" Shaft Slip Type



Series 6200 5 1/4" Shaft Screw 3 Piece

