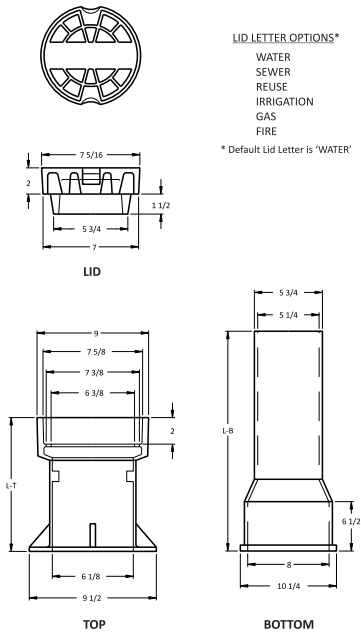


## STANDARD & HEAVY DUTY VALVE AND SERVICE BOXES

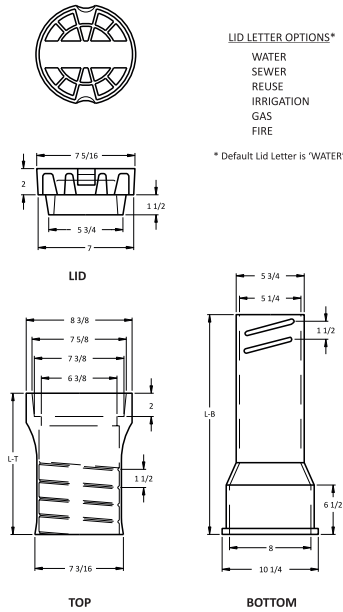
### General Specifications

- Material : Valve and service boxes are produced with either Grey Iron ASTM A48 CL30/CL35 or Ductile Iron ASTM A536 with standard lengths of 19" – 82".
- Standards : Valve boxes are produced to meet the applicable American Association of State Highway and Transportation Officials (AASHTO) provisions.  
Castings are coated with asphaltic bituminous coating with minimum 1.5 mil thickness.

#### Series 6000 5 1/4" Shaft Screw Type



#### Series 6100 5 1/4" Shaft Slip Type



#### Series 6200 5 1/4" Shaft Screw 3 Piece

