



C111 T-BOLTS AND NUTS FOR MECHANICAL JOINT

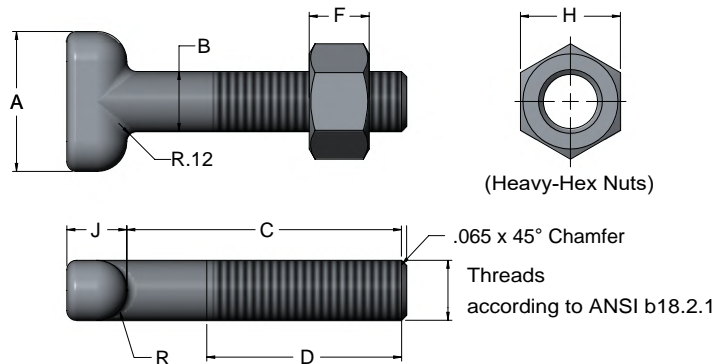
Submittal Information

Project Name / Location:	
Engineer:	
Referenced Specs:	
Distributor / Contractor:	

Bolts / Nuts:	Standard High Strength Low Alloy Steel (HSLA) In Accordance With ANSI/AWWA C111/A21.11		
	Fluoropolymer Corrosion Resistant Coating		
	Stainless Steel:	Type 304	Type 316
Other - Specify:			

General Specifications

- Chemical Properties†** :
- Carbon : 0.20 Max
 - Manganese : 1.25 Max
 - Sulfur : 0.05 Max
 - Nickel : 0.25 Min
 - Copper : 0.20 Min
 - Combined : 1.25 Min (Ni, Cu, Cr)
- Mechanical Properties†** :
- Yield Strength : 45,000 PSI (Min)
 - Elongation in 2" : 20%
 - Proof Load 5/8" : 9,000 Lb-F
 - Proof Load 3/4" : 13,500 Lb-F
 - Proof Load 1" : 25,000 Lb-F
 - Proof Load 1 1/4" : 40,000 Lb-F
- Coating** :
- Standard bolts and nuts are not coated. Stainless Steel 304 nuts are coated Blue & Stainless Steel 316 nuts are coated Green to prevent galling. Fluoropolymer coating (Blue) is available on request for Low Alloy Steel Bolts and Nuts.



T-Head Low Alloy Weathering & AISI Stainless Steel Fasteners

Select Size	Size	A	B	C	F	H	J	R	D*	Threads Per Inch**
	5/8 x 3	1.50	0.63	3.00	0.63	1.06	0.63	0.31	2.00	11
	5/8 x 3 1/2	1.50	0.63	3.50	0.63	1.06	0.63	0.31	2.75	11
	5/8 x 4	1.50	0.63	4.00	0.63	1.06	0.63	0.31	3.00	11
	5/8 x 4 1/2	1.50	0.63	4.50	0.63	1.06	0.63	0.31	3.25	11
	5/8 x 5	1.50	0.63	5.00	0.63	1.06	0.63	0.31	3.50	11
	3/4 x 3 1/2	1.75	0.75	3.50	0.75	1.25	0.75	0.38	2.50	10
	3/4 x 4	1.75	0.75	4.00	0.75	1.25	0.75	0.38	3.00	10
	3/4 x 4 1/2	1.75	0.75	4.50	0.75	1.25	0.75	0.38	3.00	10
	3/4 x 5	1.75	0.75	5.00	0.75	1.25	0.75	0.38	3.00	10
	3/4 x 6	1.75	0.75	6.00	0.75	1.25	0.75	0.38	4.00	10
	3/4 x 7	1.75	0.75	7.00	0.75	1.25	0.75	0.38	6.00	10
	1 x 5 1/2	2.25	1.00	5.50	1.00	1.63	1.00	0.50	3.00	8
	1 x 6	2.25	1.00	6.00	1.00	1.63	1.00	0.50	3.00	8
	1 x 6 1/2	2.25	1.00	6.50	1.00	1.63	1.00	0.50	3.50	8
	1 x 7	2.25	1.00	7.00	1.00	1.63	1.00	0.50	4.00	8
	1 x 7 1/2	2.25	1.00	7.50	1.00	1.63	1.00	0.63	4.50	8
	1 1/4 x 6 1/2	2.50	1.25	6.50	1.25	2.00	1.25	0.75	3.50	7
	1 1/4 x 8 1/2	2.50	1.25	8.50	1.25	2.00	1.25	0.75	4.00	7

*Tolerance +3/-0 thread

**Number of threads per inch – course-thread series (ANSI/ASME B1.1), Class 2A, external fit UNC2A and Class 2B, UNC2B (ANSI/ASME B1.2).

† For Standard ASTM A242 HSLA

Please refer to our web page www.sipindustries.com for up to date product data and technical advisories