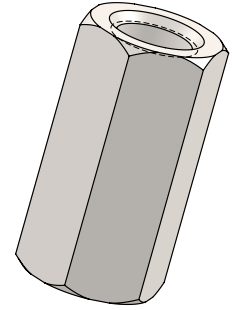




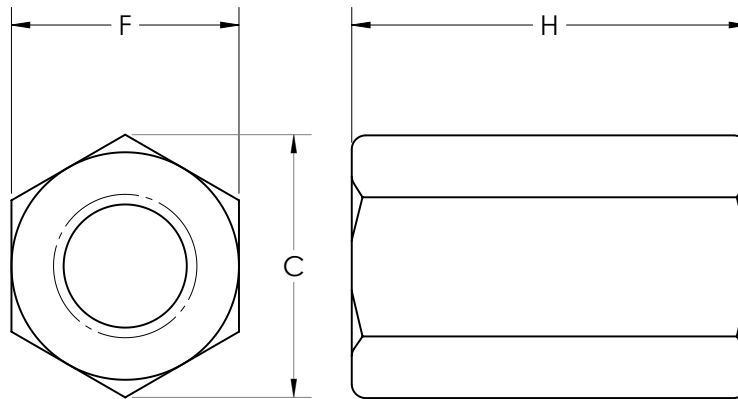
ROD COUPLING

Rod Couplings are used to extend a threaded rod or bolt by joining two threaded ends. They are constructed in a hex shape for wrench installation. Take caution not to damage threads of the rod or bolts when installing.



General Specifications

Size : 1/4" thru 3/4"
 Surface Finish : Electro-Galvanized
 Material : Low Carbon Steel, 304SS & 316SS



Technical Information

Bolt Size	F	C	H
5/8	.812	0.915	2.125
3/4	1.125	1.250	2.250
1 1/4	1.500	1.693	3.000