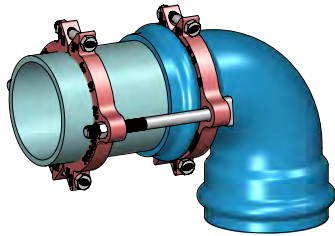




4" - 12" PVC PIPE TO PVC PRESSURE FITTING RESTRAINT

Submittal Information

Project Name / Location:	
Engineer:	
Referenced Specs:	
Distributor / Contractor:	

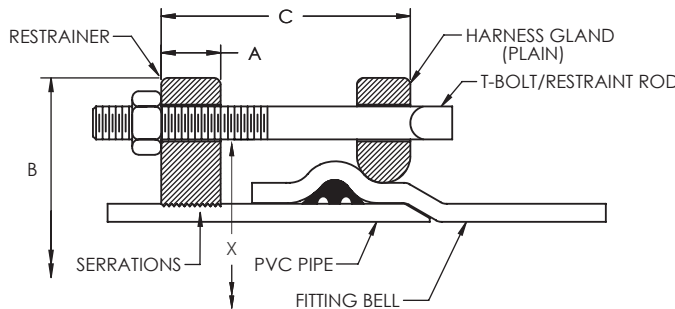


Optional Specifications

Coating:	Standard Alkyd, Direct To Metal (DTM) Enamel (Red)	
	EZ-Shield® Polyester Based Powder Coating (Red)	
Other - Specify:		
Rods, Bolts: & Nuts	Standard High Strength Low Alloy Steel (HSLA) <i>In Accordance With ANSI/AWWA C111/A21.11</i>	
	Fluoropolymer Corrosion Resistant Coating	
	Stainless Steel:	Type 304 Type 316
Other - Specify:		

General Specifications

- Material** : Harness bodies are Ductile Iron per ASTM A536, Grade 65-45-12
- Pressure** : Pressure rating equal to that of the PVC pipe rating, with a minimum 2:1 safety factor. The grip of the 360° circumferential serrations increases as the hydrostatic pressure increases
- Dimensions** : Harness is compatible with AWWA C900 (PVC), C906 (HDPE)*, C909 (PVC0) pipe, and C907 (PVC)** Fittings
* **AWWA C906 HDPE Pressure Pipes up to 12" by using internal pipe stiffeners.**
** **C907 PVC pressure bell OD dim. may very please check that the harness rods will clear with the below X dims.**
- Installations** : Install in accordance with SIP installation procedures and intent of AWWA C605 / M23. Pipe ends must be free from defects to allow serrations to properly engage the pipe ends.
The PTPFC Joint Restraint can be installed on new or existing water systems.
With the split castings, the restraint can conveniently be installed in or outside the trench.
Note: There are no additional tools required for installation other than the tools required to install standard sizes of hex nuts from 5/8" - 1 7/16". The hex heads, bolts and rods shall be designed to tighten clockwise.
- Deflection** : Restraint allows the full joint deflection dictated by pipe manufacturer's recommendation, and maintains the seal while under pressure, and while subjected to ground movements



Recommended Torque (Clamping Bolts)	
Pipe Size (In)	Range of Torque (Ft/Lbs)
4-12	90-110

Technical Specifications

Select Size	Size	C900/C909 PVC Pipe PTPFC Series		A	B (Approx.)	C (Max.)	X (Min.)	Restraint Bolts/Rods		Clamping Bolts		Approx. Weight (Lbs)
		O.D.	Item Code					Qty	Size	Qty	Size	
	4	4.80	PTPFC04	1.12	9.15	6.00	6.29	2	3/4 X 9	4	3/8 X 3 1/2	14
	6	6.90	PTPFC06	1.15	11.12	6.00	8.13	2	3/4 X 9	4	3/8 X 3 1/2	16
	8	9.05	PTPFC08	1.47	14.75	8.00	10.60	2	3/4 X 12	4	3/4 X 4	30
	10	11.10	PTPFC10	1.38	16.82	8.00	12.66	4	3/4 X 12	4	3/4 X 5	46
	12	13.20	PTPFC12	1.42	19.45	8.00	14.80	4	3/4 X 12	4	3/4 X 5	50

All dimensions are in inches unless noted otherwise. All weights are approximate in pounds unless noted otherwise.

Supporting documentation for the above 'General Specifications' and 'Optional Specifications' are available upon request to review, in addition to Installation Instructions and any requested material samples

Please contact SIP for technical assistance of nonstandard applications, pressures and bell dimensions that exceed listed X dimensions

Please refer to our web page www.sipindustries.com for up to date product data and technical advisories