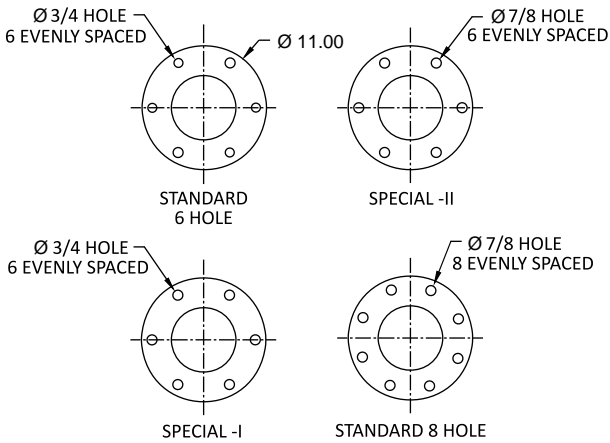




## DUCTILE IRON LONG RADIUS HYDRANT BURIES

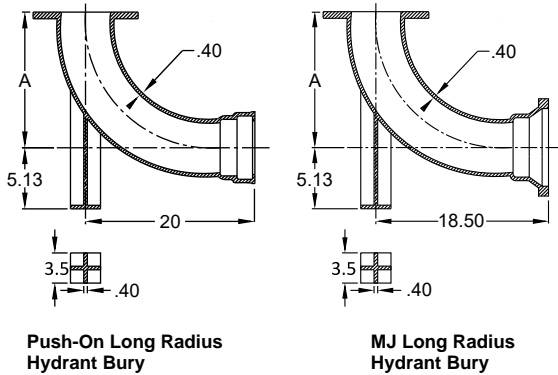
### Submittal Information

<b>Project Name / Location:</b>	
<b>Engineer:</b>	
<b>Referenced Specs:</b>	
<b>Distributor / Contractor:</b>	



### Optional Specifications

<b>Drill Pattern:</b>	<b>Standard 6</b> (6 Hole, 3/4" Dia.)
	<b>Special - I</b> (6 Hole, 3/4" Dia. - Los Angeles)
	<b>Special - II</b> (6 Hole, 7/8" Dia. - San Diego)
	<b>Standard 8</b> (8 Hole, 7/8" Dia.)
<b>Coating:</b>	<b>Asphaltic Seal Coat</b> <i>In Accordance With ANSI/AWWA C104/A21.4</i>
	<b>Fusion-Bonded Epoxy (FBE) Powder (Red Oxide Color)</b> <i>In Accordance With ANSI/AWWA C116/A21.16</i>
	<b>Other - Specify:</b>
<b>Lining:</b>	<b>Cement-Mortar</b> <i>In Accordance With ANSI/AWWA C104/A21.4</i>
	<b>Asphalt Coating</b> <b>No Asphalt Coating</b>
	<b>Fusion-Bonded Epoxy (FBE) Powder (Red Oxide Color)</b> <i>In Accordance With ANSI/AWWA C116/A21.16</i>
<b>Other - Specify:</b>	
<b>Bolts / Nuts:</b>	Standard <b>High Strength Low Alloy Steel (HSLA)</b> <i>In Accordance With ANSI/AWWA C111/A21.11</i>
	<b>Stainless Steel:</b> <b>Type 304</b> <b>Type 316</b>
	<b>Other - Specify:</b>
<b>Gaskets:</b>	<b>Standard SBR (Buna-S)</b> <i>In Accordance With ANSI/AWWA C111/A21.11</i>
	<b>Other - Specify:</b>



### Technical Specifications

Select Size	Size	Type	A	Approx. Weight (LBS)
	6x16	MJ	16	84
	6x16	Push-On	16	88

### General Specifications

- Material** : Ductile Iron per ASTM A536
- Pressure** : 350 PSI rating
- Testing** : In accordance with ANSI/AWWA C153/A21.53 and UL, FM requirements
- Laying Length** : As noted above
- Push-On Joint** : TRIM TYTON® push-on bell joint design, manufactured by SIP Industries, under license from US Pipe  
TRIM TYTON® is a registered trademark of United States Pipe and Foundry Company, LLC.  
Note: Push-On End Ears are for installation purposes
- Deflection** : 7° for MJ Bell, 5° for Push-On Bell
- Flanges** : Flanged ends on fittings match ANSI/AWWA C115/A21.15 and ANSI B16.1 class 125 flanges  
In accordance with ANSI/AWWA C110/A21.10
- Weight** : Are in pounds, unless noted otherwise and do not include accessories, cement lining and coating
- Dimensions** : All dimensions are in inches, unless noted otherwise.
- Installations** : Per ANSI/AWWA C600 and C111
- Approvals** : UL Approved | NSF/ANSI Standards 61 & 372



Certified to NSF/ANSI 61 & 372

Supporting documentation for the above 'General Specifications' and 'Optional Specifications' are available upon request to review, in addition to Installation Instructions and any requested material samples

Please contact SIP for technical assistance of nonstandard applications

Please refer to our web page [www.sipindustries.com](http://www.sipindustries.com) for up to date product data and technical advisories