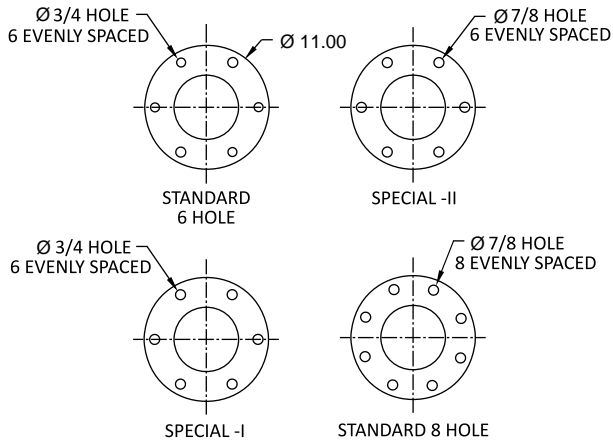




## FLANGE HYDRANT EXTENSIONS

### Submittal Information

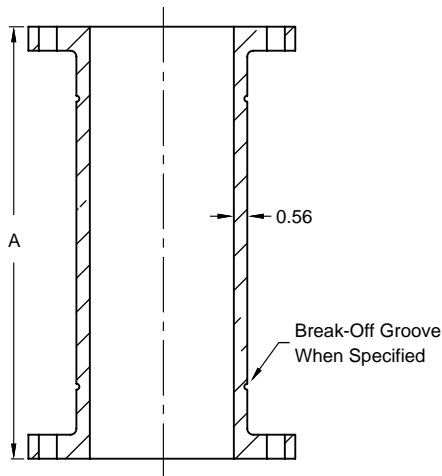
<b>Project Name / Location:</b>	
<b>Engineer:</b>	
<b>Referenced Specs:</b>	
<b>Distributor / Contractor:</b>	



### Optional Specifications

<b>Drill Pattern:</b>	<b>Standard 6</b> (6 Hole, 3/4" Dia.)
	<b>Special - I</b> (6 Hole, 3/4" Dia. - Los Angeles)
	<b>Special - II</b> (6 Hole, 7/8" Dia. - San Diego)
	<b>Standard 8</b> (8 Hole, 7/8" Dia.)
<b>Coating:</b>	<b>Asphaltic Seal Coat</b> <i>In Accordance With ANSI/AWWA C104/A21.4</i>
	<b>Fusion-Bonded Epoxy (FBE) Powder (Red Oxide Color)</b> <i>In Accordance With ANSI/AWWA C116/A21.16</i>
	<b>Other - Specify:</b>
<b>Lining:</b>	<b>Cement-Mortar</b> <i>In Accordance With ANSI/AWWA C104/A21.4</i>
	<b>Asphalt Coating      No Asphalt Coating</b>
	<b>Fusion-Bonded Epoxy (FBE) Powder (Red Oxide Color)</b> <i>In Accordance With ANSI/AWWA C116/A21.16</i>
<b>Bolts / Nuts:</b>	Standard <b>Carbon Steel: Type A307</b>
	<b>Stainless Steel:      Type 304      Type 316</b>
	<b>Other - Specify:</b>
<b>Gaskets:</b>	<b>Standard SBR (Buna-S)</b> <i>In Accordance With ANSI/AWWA C111/A21.11</i>
	<b>Other - Specify:</b>

### Technical Specifications



Select Size	Size	Select Type			A	Approx. Weight (LBS)
		Solid	Single Groove	Double Groove		
	6x1				1	17
	6x2				2	34
	6x4				4	45
	6x6				6	49
	6x8				8	58
	6x10				10	64
	6x12				12	67
	6x14				14	74
	6x16				16	82
	6x18				18	85
	6x20				20	94
	6x22				22	101
	6x24				24	103
	6x26				26	110
	6x28				28	118
	6x30				30	121
	6x36				36	139

### General Specifications

- Material** : Gray Iron per ASTM A48
- Pressure** : 250 PSI rating
- Testing** : In accordance with ANSI/AWWA C110/A21.10 and UL, FM requirements
- Laying Length** : As noted above
- Flanges** : Flanged ends on fittings match ANSI/AWWA C115/A21.15 and ANSI B16.1 class 125 flanges  
In accordance with ANSI/AWWA C110/A21.10
- Weight** : Are in pounds, unless noted otherwise and do not include accessories, cement lining and coating
- Dimensions** : All dimensions are in inches, unless noted otherwise.
- Installations** : Per ANSI/AWWA C600 and C111
- Approvals** : UL Approved | NSF/ANSI Standards 61 & 372

Please refer to our web page [www.sipindustries.com](http://www.sipindustries.com) for up to date product data and technical advisories

