



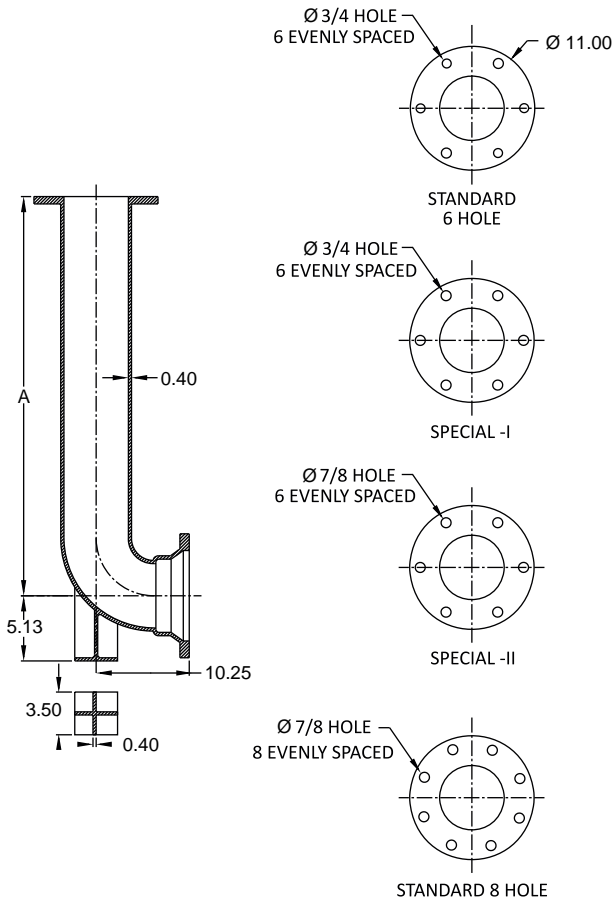
DUCTILE IRON MECHANICAL JOINT HYDRANT BURIES

Submittal Information

Project Name / Location:	
Engineer:	
Referenced Specs:	
Distributor / Contractor:	

Optional Specifications

Drill Pattern:	Standard 6 (6 Hole, 3/4" Dia.)
	Special - I (6 Hole, 3/4" Dia. - Los Angeles)
	Special - II (6 Hole, 3/4" Dia. - San Diego)
	Standard 8 (8 Hole, 7/8" Dia.)
Coating:	Asphaltic Seal Coat <i>In Accordance With ANSI/AWWA C104/A21.4</i>
	Fusion-Bonded Epoxy (FBE) Powder (Red Oxide Color) <i>In Accordance With ANSI/AWWA C116/A21.16</i>
	Other - Specify:
Lining:	Cement - Mortar <i>In Accordance With ANSI/AWWA C104/A21.4</i>
	Asphalt Coating No Asphalt Coating
	Fusion-Bonded Epoxy (FBE) Powder (Red Oxide Color) <i>In Accordance With ANSI/AWWA C116/A21.16</i>
Bolts / Nuts:	Standard High Strength Low Alloy Steel (HSLA) <i>In Accordance With ANSI/AWWA C111/A21.11</i>
	Stainless Steel: Type 304 Type 316
	Other - Specify:
Gaskets:	Standard SBR (Buna-S) <i>In Accordance With ANSI/AWWA C111/A21.11</i>
	Other - Specify:



Technical Specifications

Select Size	Size	A	Approx. Weight (LBS)
	6x16	16	75
	6x22	22	87
	6x24	24	92
	6x30	30	105
	6x36	36	118
	6x42	42	131
	6x48	48	144
	6x54	54	156

General Specifications

Material	: Ductile Iron per ASTM A536
Pressure	: 350 PSI rating
Testing	: In accordance with ANSI/AWWA C153/A21.53 and UL, FM requirements
Laying Length	: As noted above
Deflection	: 7° for MJ Bell
Flanges	: Flanged ends on fittings match ANSI/AWWA C115/A21.15 and ANSI B16.1 class 125 flanges In accordance with ANSI/AWWA C110/A21.10
Weight	: Are in pounds, unless noted otherwise and do not include accessories, cement lining and coating
Dimensions	: All dimensions are in inches, unless noted otherwise.
Installations	: Per ANSI/AWWA C600 and C111 using DIP conforming to C150/C151 and PVC pipe conforming to C900
Approvals	: FM Approved UL Approved NSF/ANSI Standards 61 & 372



Supporting documentation for the above 'General Specifications' and 'Optional Specifications' are available upon request to review, in addition to Installation Instructions and any requested material samples

Please contact SIP for technical assistance of nonstandard applications and pressures

Please refer to our web page www.sipindustries.com for up to date product data and technical advisories



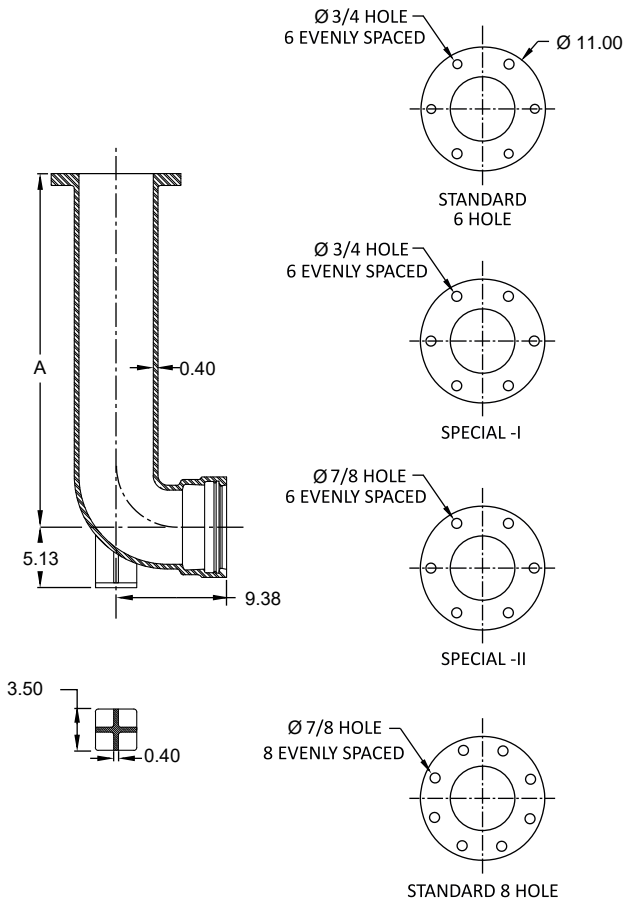
DUCTILE IRON PUSH-ON HYDRANT BURIES

Submittal Information

Project Name / Location:	
Engineer:	
Referenced Specs:	
Distributor / Contractor:	

Optional Specifications

Drill Pattern:	Standard 6 (6 Hole, 3/4" Dia.)
	Special - I (6 Hole, 3/4" Dia. - Los Angeles)
	Special - II (6 Hole, 3/4" Dia. - San Diego)
	Standard 8 (8 Hole, 7/8" Dia.)
Coating:	Asphaltic Seal Coat <i>In Accordance With ANSI/AWWA C104/A21.4</i>
	Fusion-Bonded Epoxy (FBE) Powder (Red Oxide Color) <i>In Accordance With ANSI/AWWA C116/A21.16</i>
	Other - Specify:
Lining:	Cement - Mortar <i>In Accordance With ANSI/AWWA C104/A21.4</i>
	Asphalt Coating No Asphalt Coating
	Fusion-Bonded Epoxy (FBE) Powder (Red Oxide Color) <i>In Accordance With ANSI/AWWA C116/A21.16</i>
Other - Specify:	
Bolts / Nuts:	Standard High Strength Low Alloy Steel (HSLA) <i>In Accordance With ANSI/AWWA C111/A21.11</i>
	Stainless Steel: Type 304 Type 316
	Other - Specify:
Gaskets:	Standard SBR (Buna-S) <i>In Accordance With ANSI/AWWA C111/A21.11</i>
	Other - Specify:



Technical Specifications

Select Size	Size	A	Approx. Weight (LBS)
	6x16	16	75
	6x22	22	87
	6x24	24	92
	6x30	30	105
	6x36	36	118
	6x42	42	131
	6x48	48	144
	6x54	54	156

General Specifications

- Material** : Ductile Iron per ASTM A536
- Pressure** : 350 PSI rating
- Testing** : In accordance with ANSI/AWWA C153/A21.53 and UL, FM requirements
- Laying Length** : As noted above
- Joint** : TRIM TYTON® push-on bell joint design, manufactured by SIP Industries, under license from the United States Pipe and Foundry Company
Note: Push-On End Ears are for installation purposes
- Deflection** : 5° for Push-On Bell
- Flanges** : Flanged ends on fittings match ANSI/AWWA C115/A21.15 and ANSI B16.1 class 125 flanges
In accordance with ANSI/AWWA C110/A21.10
- Weight** : Are in pounds, unless noted otherwise and do not include accessories, cement lining and coating
- Dimensions** : All dimensions are in inches, unless noted otherwise.
- Installations** : Per ANSI/AWWA C600 and C111
- Approvals** : UL Approved | NSF/ANSI Standards 61 & 372

Please refer to our web page www.sipindustries.com for up to date product data and technical advisories





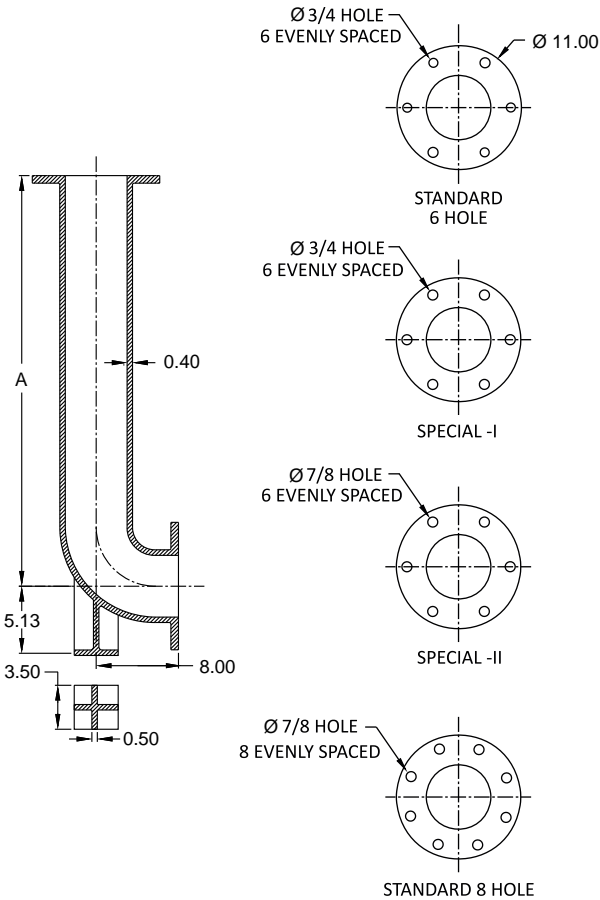
DUCTILE IRON FLANGE HYDRANT BURIES

Submittal Information

Project Name / Location:	
Engineer:	
Referenced Specs:	
Distributor / Contractor:	

Optional Specifications

Drill Pattern:	Standard 6 (6 Hole, 3/4" Dia.)
	Special - I (6 Hole, 3/4" Dia. - Los Angeles)
	Special - II (6 Hole, 7/8" Dia. - San Diego)
	Standard 8 (8 Hole, 7/8" Dia.)
Coating:	Asphaltic Seal Coat <i>In Accordance With ANSI/AWWA C104/A21.4</i>
	Fusion-Bonded Epoxy (FBE) Powder (Red Oxide Color) <i>In Accordance With ANSI/AWWA C116/A21.16</i>
	Other - Specify:
Lining:	Cement - Mortar <i>In Accordance With ANSI/AWWA C104/A21.4</i>
	Asphalt Coating No Asphalt Coating
	Fusion-Bonded Epoxy (FBE) Powder (Red Oxide Color) <i>In Accordance With ANSI/AWWA C116/A21.16</i>
Bolts / Nuts:	Standard Carbon Steel: Type A307
	Stainless Steel: Type 304 Type 316
	Other - Specify:
Gaskets:	Standard SBR (Buna-S) <i>In Accordance With ANSI/AWWA C111/A21.11</i>
	Other - Specify:



Technical Specifications

Select Size	Size	A	Approx. Weight (LBS)
	6x24	24	98
	6x30	30	111
	6x36	36	125
	6x42	42	138
	6x48	48	151
	6x54	54	164

General Specifications

Material	: Ductile Iron per ASTM A536
Pressure	: 250 PSI rating
Testing	: In accordance with ANSI/AWWA C110/A21.10 and UL, FM requirements
Laying Length	: As noted above
Flanges	: Flanged ends on fittings match ANSI/AWWA C115/A21.15 and ANSI B16.1 class 125 flanges In accordance with ANSI/AWWA C110/A21.10
Weight	: Are in pounds, unless noted otherwise and do not include accessories, cement lining and coating
Dimensions	: All dimensions are in inches, unless noted otherwise.
Installations	: Per ANSI/AWWA C600 and C111
Approvals	: NSF/ANSI Standards 61 & 372



Certified to NSF/ANSI 61 & 372

Supporting documentation for the above 'General Specifications' and 'Optional Specifications' are available upon request to review, in addition to Installation Instructions and any requested material samples

Please contact SIP for technical assistance of nonstandard applications and pressures

Please refer to our web page www.sipindustries.com for up to date product data and technical advisories