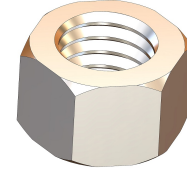


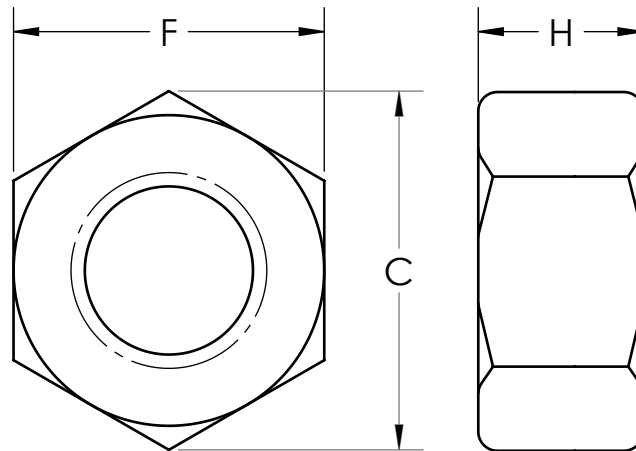
## Heavy Hex Nuts

**Heavy Hex Nuts** are threaded onto bolts or rods to hold mechanical components in place. They are slightly larger and thicker and may be required to be torqued for certain applications.



### General Specifications

Material : Zinc plated Low Carbon Steel, Also available in 304 and 316 SS



### Technical Information

Bolt Size	F	C	H	Weight (lbs.)
$\frac{3}{8}$	1.062	1.201	.587 - .631	.12
$\frac{1}{2}$	1.250	1.413	.710 - .758	.20
$1 \frac{1}{2}$	1.812	2.048	1.079 - 1.139	.59