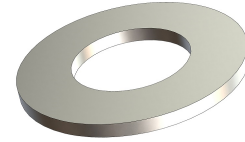




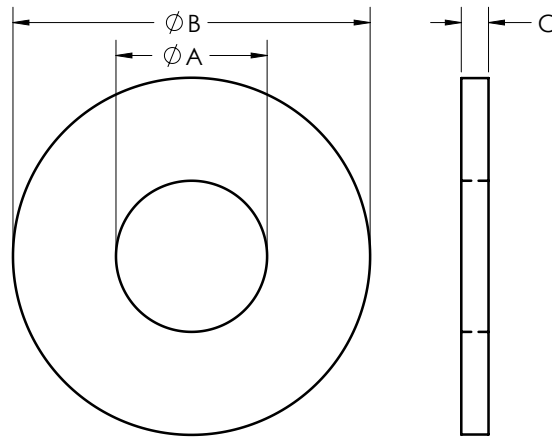
FLAT WASHERS

Flat Washers are used with nuts to even the load and provide a smooth bearing surface under the nut.



General Specifications

Material : Zinc plated Low Carbon Steel, Also available in 304 SS and 316 SS



Technical Information

Bolt Size	A	B	C	Weight (lbs.) Per 100 Pieces
$\frac{3}{8}$	0.688	1.750	.108 - .160	8
$\frac{1}{2}$	0.812	2.000	.122 - .177	11
$1 \frac{1}{2}$	1.250	2.750	.136 - .192	22